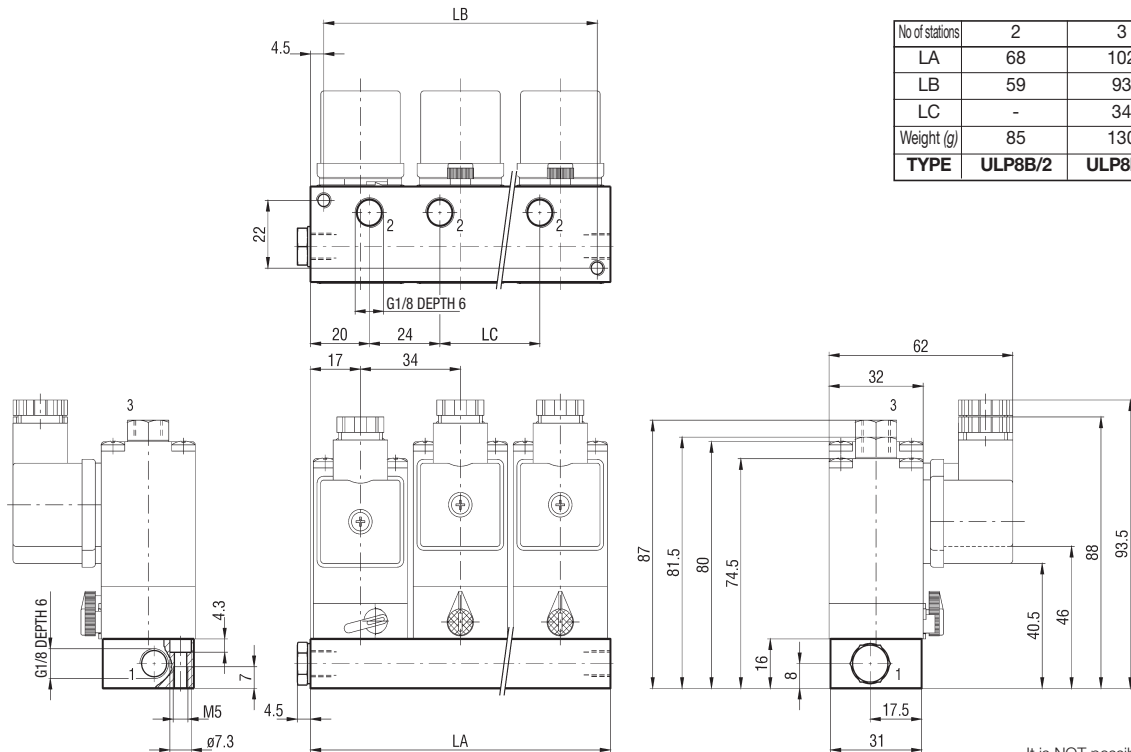


series UL

Accessories Bases

MULTI-STATION BOTTOM PORTED BASE G 1/8 - ULP8B

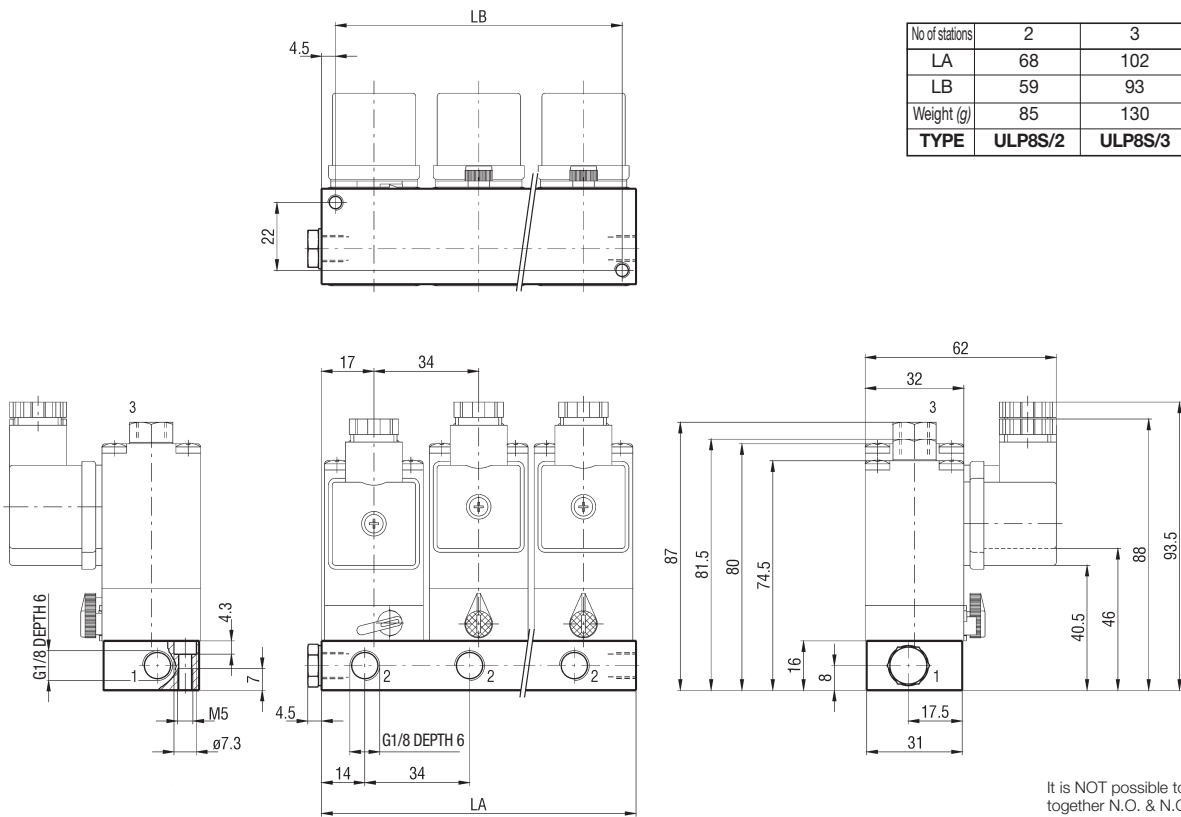


No of stations	2	3	5
LA	68	102	170
LB	59	93	161
LC	-	34	34
Weight (g)	85	130	220
TYPE	ULP8B/2	ULP8B/3	ULP8B/5

It is NOT possible to combine together N.O. & N.C. solenoid valves on the same manifold base.

P.S.: Base is supplied complete with plug, tubing and junction seals.

MULTI-STATION SIDE PORTED BASE G 1/8 - ULP8S

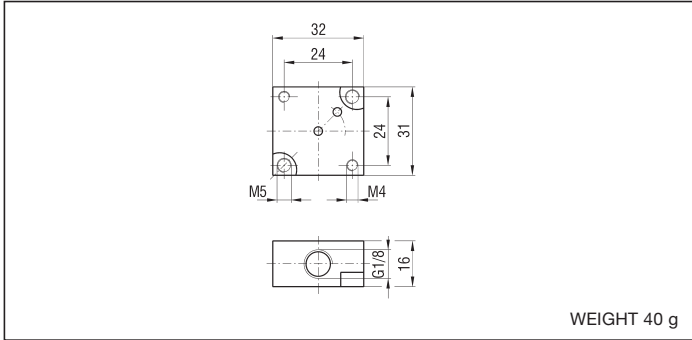


No of stations	2	3	5
LA	68	102	170
LB	59	93	161
Weight (g)	85	130	220
TYPE	ULP8S/2	ULP8S/3	ULP8S/5

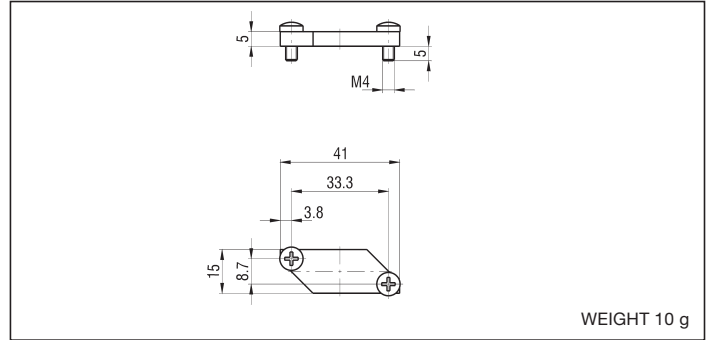
It is NOT possible to combine together N.O. & N.C. solenoid valves on the same manifold base.

P.S.: Base is supplied complete with plug, tubing and junction seals.

SINGLE BASE G 1/8 - XVB

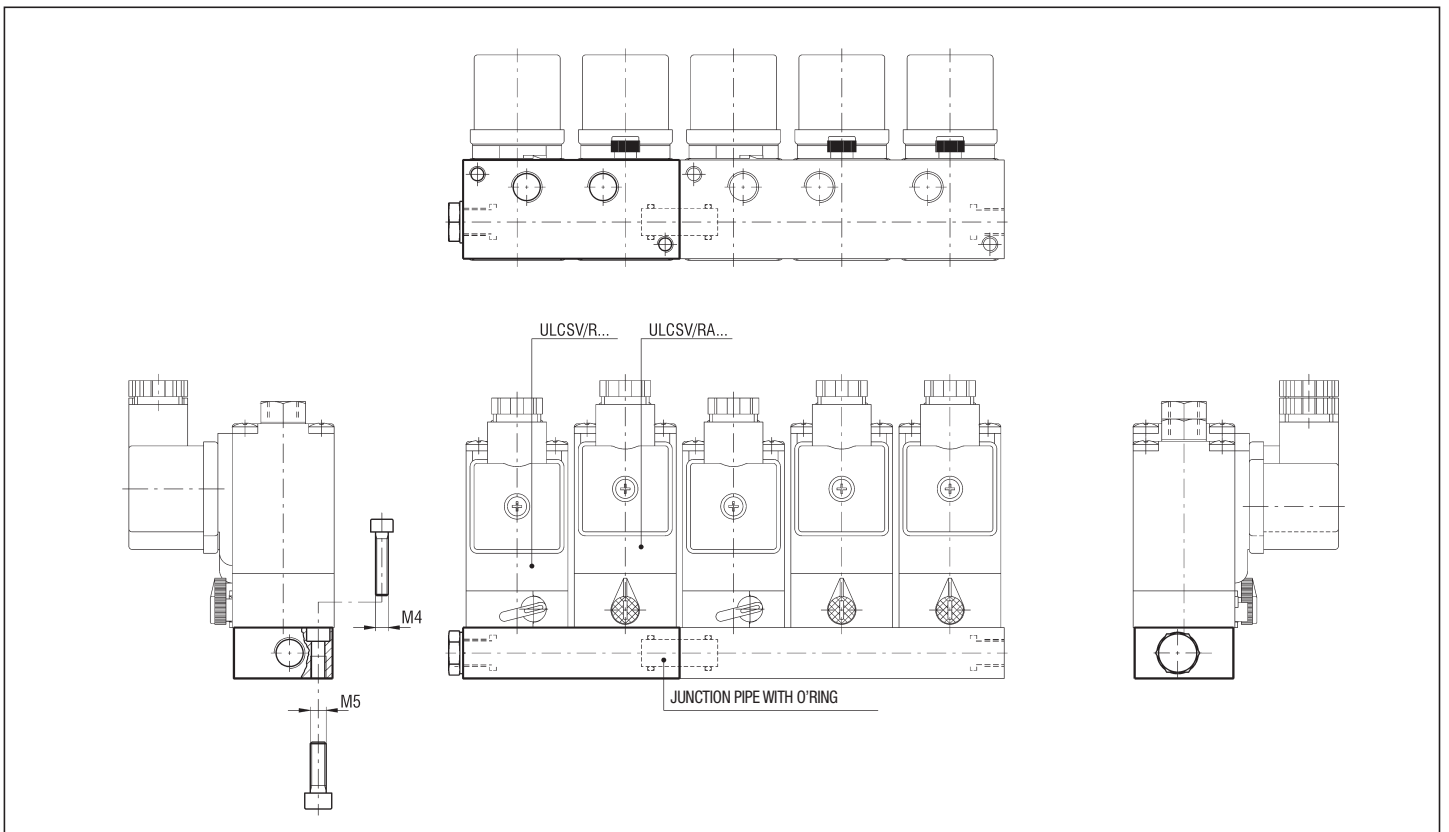


BLANKING PLATE - KIT/PC/UL



2

EXAMPLE OF BASES ASSEMBLY



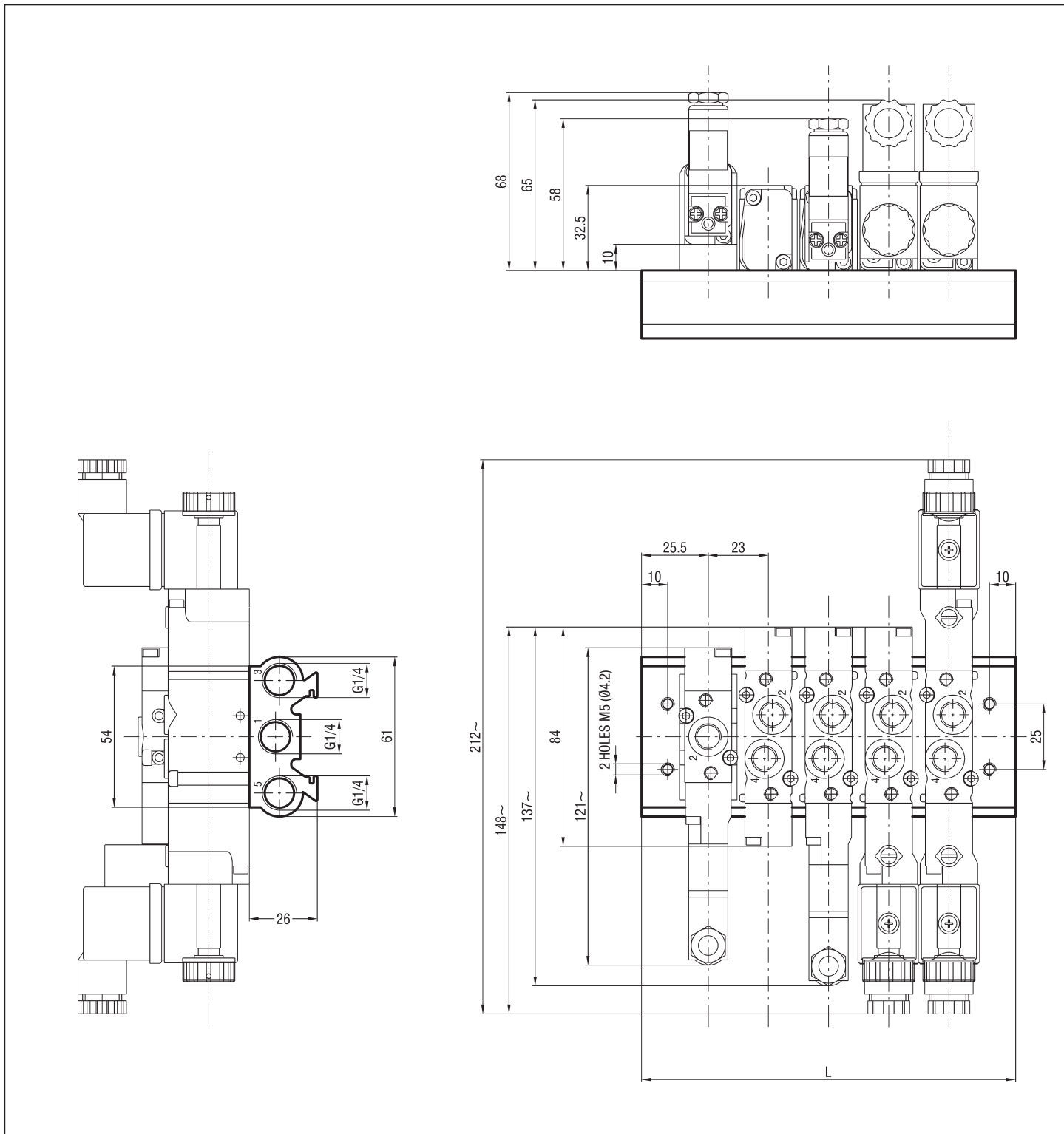
P.S.: The connection nipple is supplied as standard with the multi-station base

series SK

Accessories Bases G 1/8

BASE FOR MANIFOLD MOUNTING OF VALVES G 1/8 - KB/SK8

2



No of stations	2	3	4	5	6	8	10	12	14	16	18	20
L	74	97	120	143	166	212	258	304	350	396	442	488
Weight (g)	170	221	272	323	374	476	578	680	782	884	986	1088
TYPE*	KB/SK8/2	KB/SK8/3	KB/SK8/4	KB/SK8/5	KB/SK8/6	KB/SK8/8	KB/SK8/10	KB/SK8/12	KB/SK8/14	KB/SK8/16	KB/SK8/18	KB/SK8/20

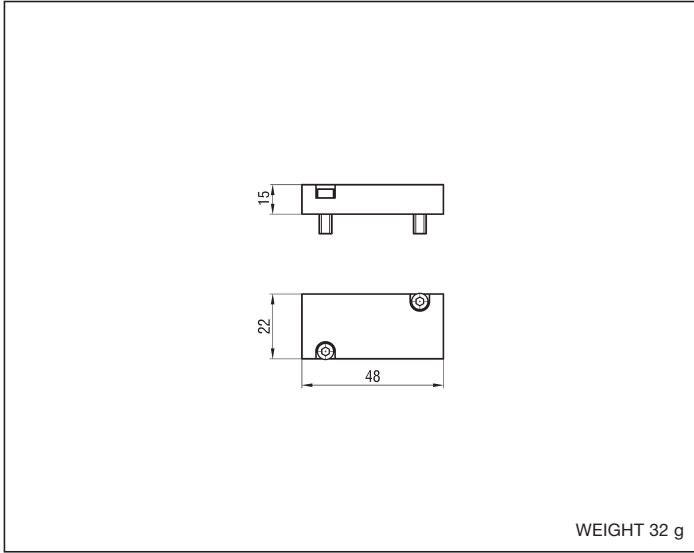
*BASES ARE SUPPLIED COMPLETE WITH SCREWS AND SEALS

P.S.: ALSO 3 PORT VALVES ON THIS BASE CAN BE MOUNTED USING THE ADAPTER "KIT/A/SK8"

Accessories
Bases G 1/8

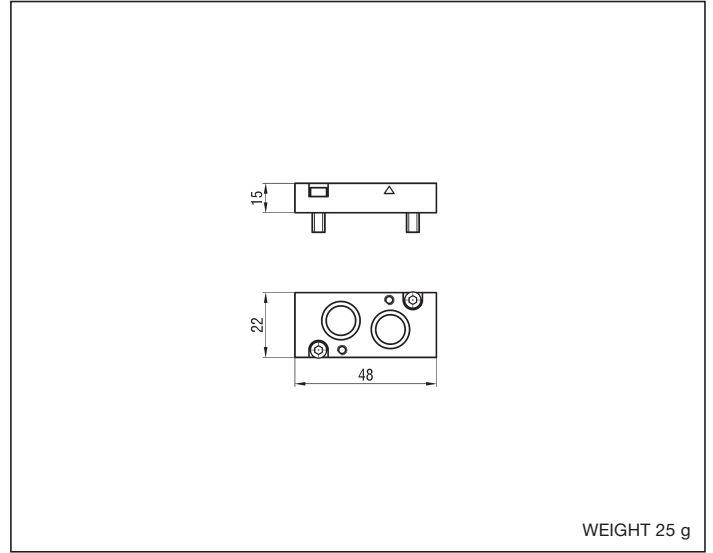
series **SK**

BLANKING PLATE - KIT/PC/SK8



BLANKING PLATE IS SUPPLIED COMPLETE WITH SCREWS AND SEALS

ADAPTER FOR MOUNTING SK 3 PORT - KIT/A/SK8



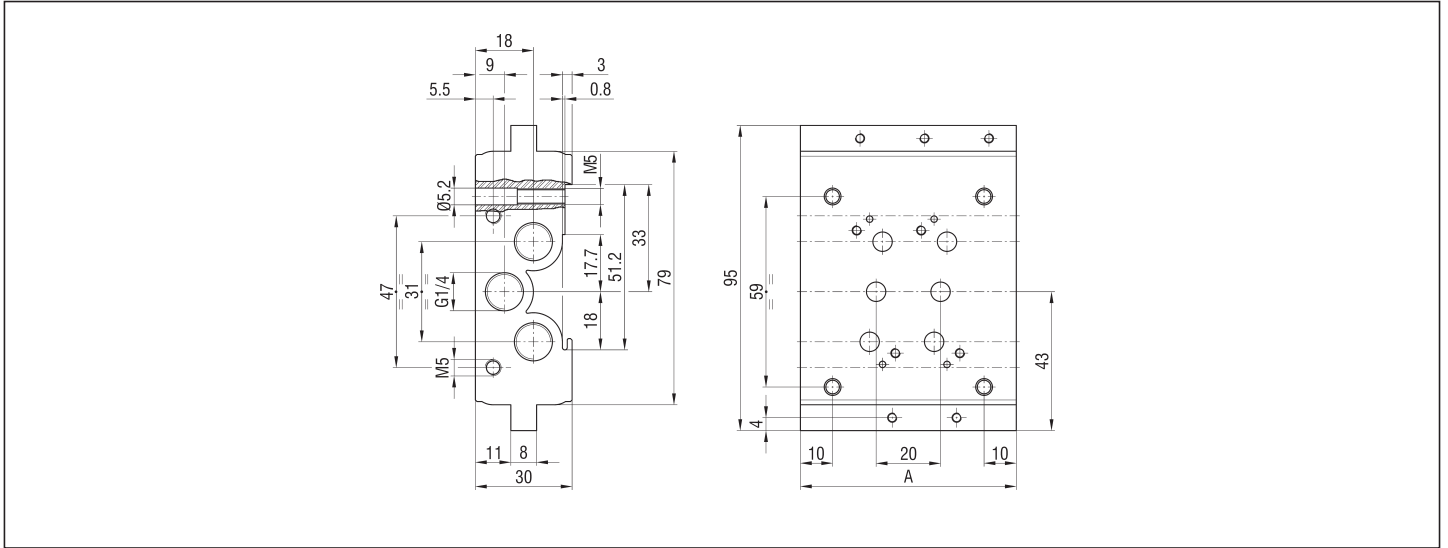
ADAPTER IS SUPPLIED COMPLETE WITH SCREWS AND SEALS

2

Accessories
Bases G 1/8

series **MEV**

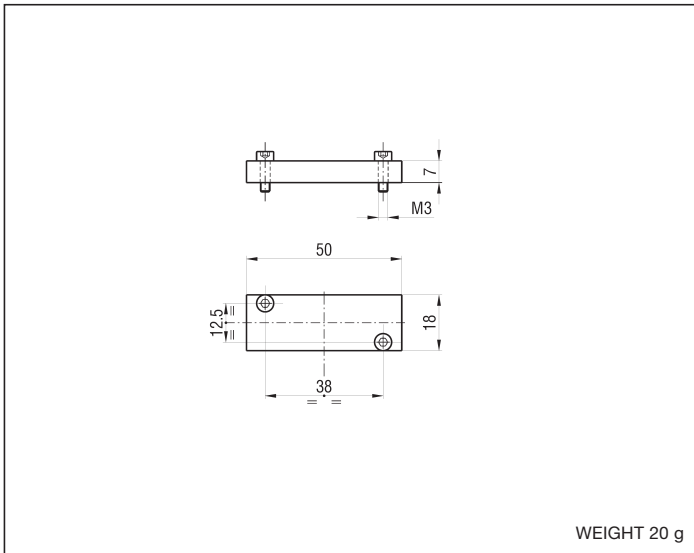
BASE FOR MANIFOLD MOUNTING OF VALVES G 1/8 - KB/MEV8 - Fit for mounting onto DIN 46277/3 rail



No of stations	2	3	4	5	6	8	10	12	14	16	18
A	67	87	107	127	147	187	227	267	307	347	387
Weight (g)	324	421	518	615	712	905	1098	1292	1486	1680	1873
TYPE*	KB/MEV8/2	KB/MEV8/3	KB/MEV8/4	KB/MEV8/5	KB/MEV8/6	KB/MEV8/8	KB/MEV8/10	KB/MEV8/12	KB/MEV8/14	KB/MEV8/16	KB/MEV8/18

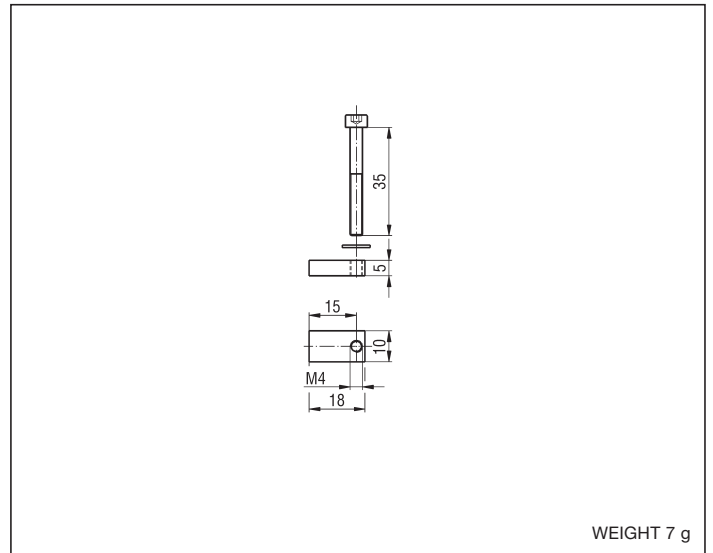
*BASES ARE SUPPLIED COMPLETE WITH SCREWS AND SEALS

BLANKING PLATE - MEV8/PC



BLANKING PLATE IS SUPPLIED COMPLETE WITH SCREWS AND SEALS

FIXING PLATE FOR DIN 46277/3 RAIL - MEV8/PF



FIXING PLATE IS SUPPLIED COMPLETE WITH SCREWS

series MEV

Size 02

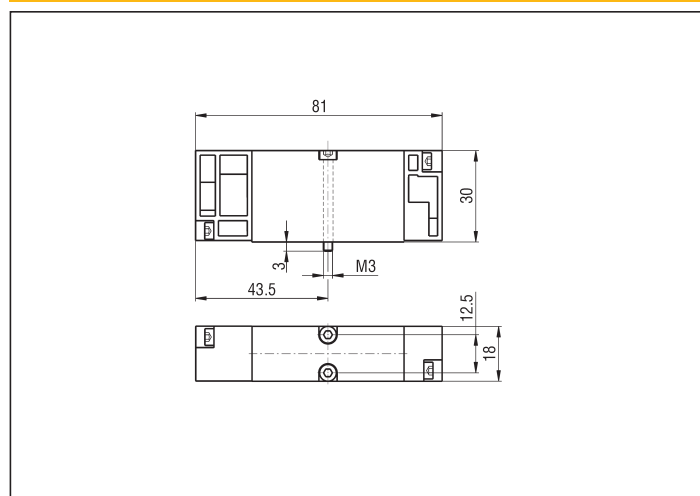
2

PILOT ACTUATED VALVES TO ISO 15407-2 STANDARD (VDMA 24563) SIZE 02 - MEV 18

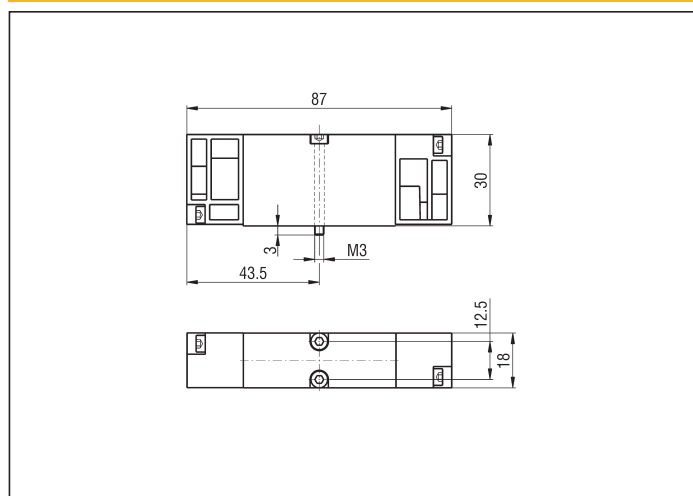
Symbol	Function	Controls		Response time at 6 bar (ms)		Flow rate at 6 bar $\Delta P = 1$ bar (NI/min)	Weight (g)	TYPE*
		Pilot	Return	Energized	De-energized			
	5/2 monostable	Pneumatic	Pneumomechanical spring	12	50	510	100	MEV18 KR/ZQ
		Pneumatic	Pneumatic spring	20	35	510	100	MEV18 KR/TQ
	5/2 bistable	Pneumatic	Pneumatic	12	12	510	100	MEV18 KR/KR
	5/3 closed centre	Pneumatic	Mechanical spring	15	15	420	100	MEV18 SR/SR
	5/3 open centre	Pneumatic	Mechanical spring	15	15	420	100	MEV18 AR/AR
	5/3 pressure centre	Pneumatic	Mechanical spring	15	15	500	100	MEV18 PR/PR

*EX Consistent with the ATEX directive II 2GD c T5 T100°C - 10°C ≤ Ta ≤ 60°C E.G.: MEV18 KR/ZQ/EX

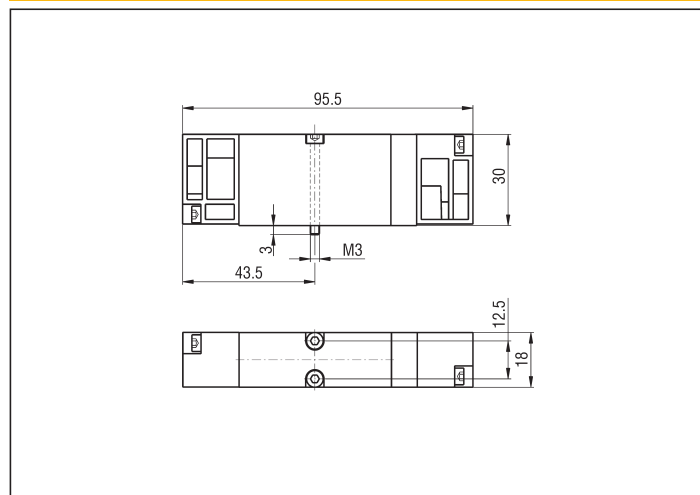
5 PORT - MONOSTABLE



5 PORT - BISTABLE



5 PORT - 3 POSITIONS



Size 02

series **MEV**

2

SOLENOID ACTUATED VALVES TO ISO 15407-2 STANDARD (VDMA 24563) SIZE 02 - MEV 18

Symbol	Function	Controls		Response time at 6 bar (ms)		Flow rate at 6 bar ΔP = 1 bar (Nl/min)	Weight (g)	TYPE*
		Pilot	Return	Energized	De-energized			
	5/2 monostable	Solenoid	Pneumomechanical spring	10	50	510	130	MEV18 KUC/ZQ
		Solenoid	Pneumatic spring	12	35			MEV18 KUC/TQ
		Solenoid pilot assisted	Pneumomechanical spring	10	50			MEV18 KUR/ZQ
	5/2 bistable	Solenoid	Solenoid	10	10	510	160	MEV18 KUC/KUC
		Solenoid pilot assisted	Solenoid pilot assisted					MEV18 KUR/KUR
	5/3 closed centre	Solenoid	Mechanical spring	10	30	420	160	MEV18 SUC/SUC
		Solenoid pilot assisted	Mechanical spring					MEV18 SUR/SUR
	5/3 open centre	Solenoid	Mechanical spring	10	30	420	160	MEV18 AUC/AUC
		Solenoid pilot assisted	Mechanical spring					MEV18 AUR/AUR
	5/3 pressure centre	Solenoid	Mechanical spring	10	30	500	160	MEV18 PUC/PUC
		Solenoid pilot assisted	Mechanical spring					MEV18 PUR/PUR

* SPECIFY THE VOLTAGE IN THE ORDER - E.G.: **MEV18 KUC/ZQ 02400**

02400 = 24 V DC

11050-60 = 110 V AC

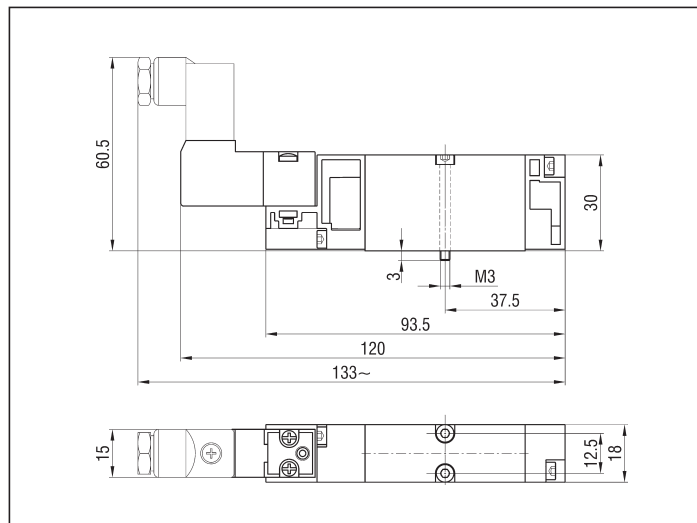
02450-60 = 24 V AC

22050-60 = 220 V AC

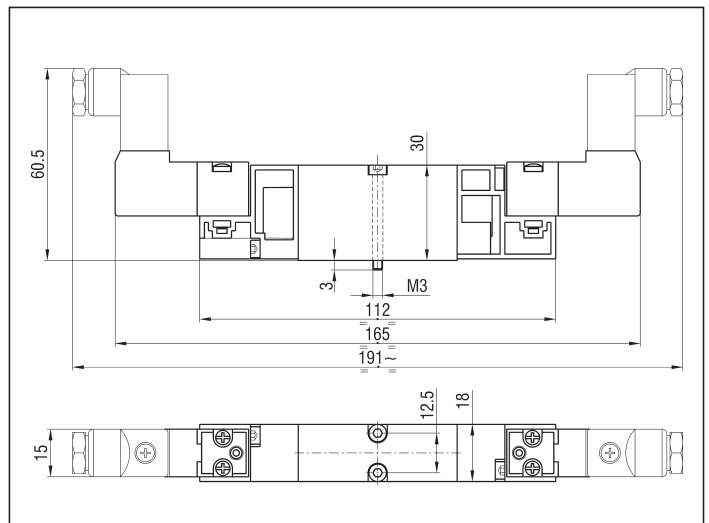
/EX Consistent with the ATEX directive II 3G c Ex nA IIC T5 Gc -5°C ≤ Ta ≤ 50°C
II 3D c Ex tc IIIC T100°C IP65 Dc

E.G.: **MEV18 KUC/ZQ 02400/EX**

5 PORT - MONOSTABLE



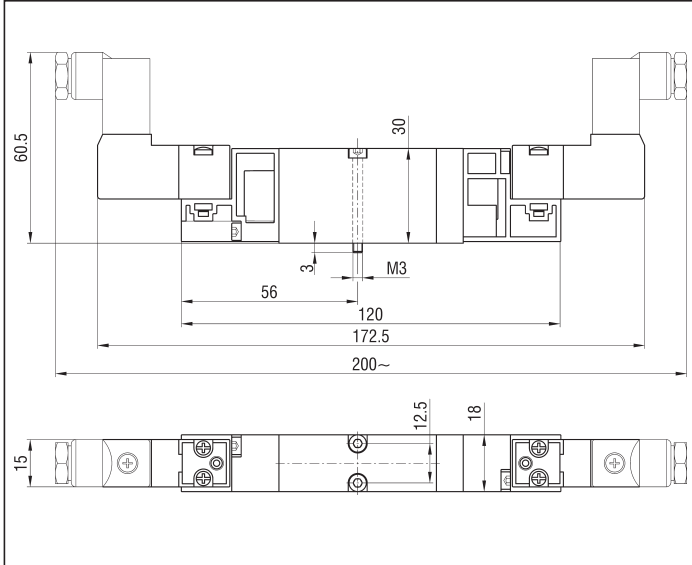
5 PORT - BISTABLE



series MEV

Size 02

5 PORT - 3 POSITIONS



Size 02

series **MEV**

SOLENOID ACTUATED VALVES WITH COILS TOWARD THE BOTTOM TO ISO 15407-2 STANDARD (VDMA 24563) SIZE 02
MEVX 18 SUITABLE FOR SINGLE USE OR MULTI-PIN PLUG CONNECTOR

Symbol	Function	Controls		Response time at 6 bar (ms)		Flow rate at 6 bar $\Delta P = 1 \text{ bar (Nl/min)}$	Weight (g)	TYPE*
		Pilot	Return	Energized	De-energized			
	5/2 monostable	Solenoid	Pneumomechanical spring	10	50	510	130	MEVX18 KUC/ZQ
		Solenoid	Pneumatic spring	12	35			MEVX18 KUC/TQ
		Solenoid pilot assisted	Pneumomechanical spring	10	50			MEVX18 KUR/ZQ
	5/2 bistable	Solenoid	Solenoid	10	10	510	175	MEVX18 KUC/KUC
		Solenoid pilot assisted	Solenoid pilot assisted					MEVX18 KUR/KUR
	5/3 closed centre	Solenoid	Mechanical spring	10	30	420	175	MEVX18 SUC/SUC
		Solenoid pilot assisted	Mechanical spring					MEVX18 SUR/SUR
	5/3 open centre	Solenoid	Mechanical spring	10	30	420	175	MEVX18 AUC/AUC
		Solenoid pilot assisted	Mechanical spring					MEVX18 AUR/AUR
	5/3 pressure centre	Solenoid	Mechanical spring	10	30	500	175	MEVX18 PUC/PUC
		Solenoid pilot assisted	Mechanical spring					MEVX18 PUR/PUR

* SPECIFY THE VOLTAGE IN THE ORDER - E.G.: MEVX18 KUC/ZQ 02400

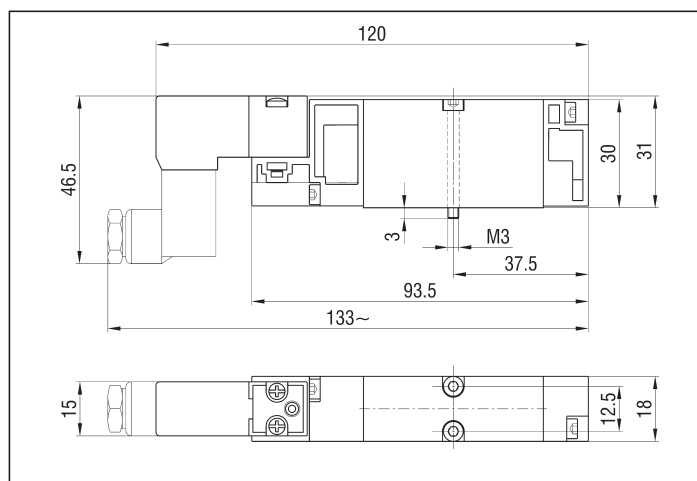
02400 = 24 V DC

02450-60 = 24 V AC

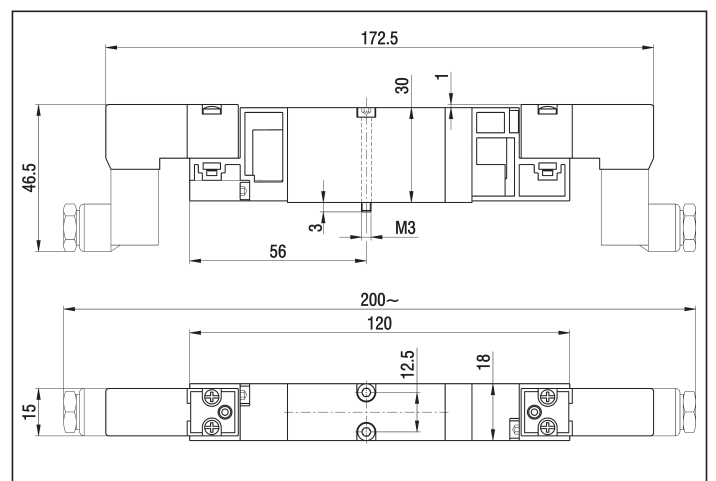
/EX Consistent with the ATEX directive II 3G c Ex nA IIC T5 Gc -5°C ≤ Ta ≤ 50°C
II 3D c Ex tc IIIC T100°C IP65 Dc

E.G.: MEVX18 KUC/ZQ 02400/EX

5 PORT - MONOSTABLE



5 PORT - BISTABLE AND 5 PORT - 3 POSITIONS

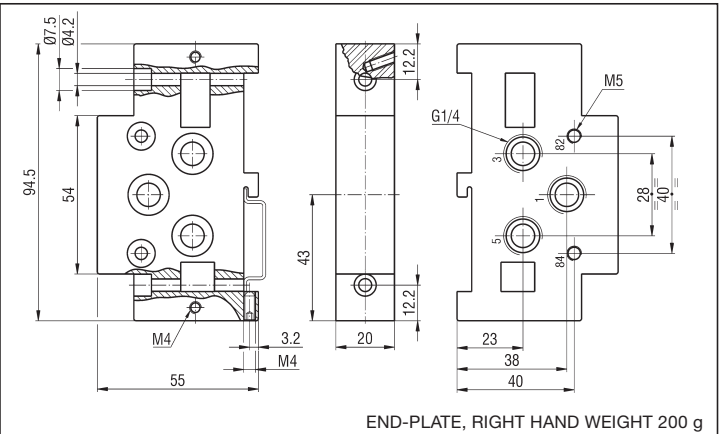
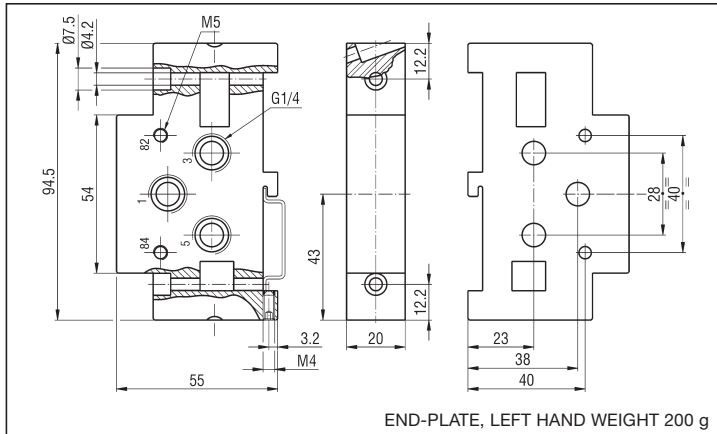


series MEV

Accessories Single and manifold bases to ISO 15407-2 standard (VDMA 24563) size 02

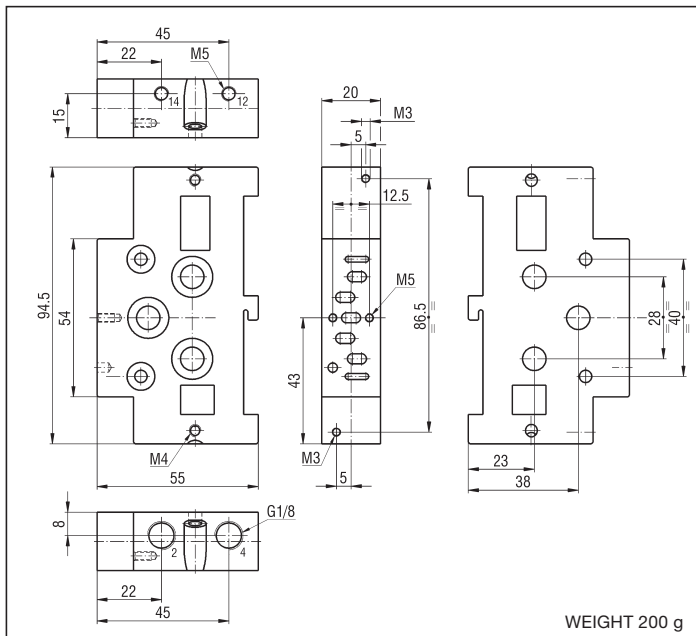
2

INPUT PLATES (PAIR) - MEV18PE



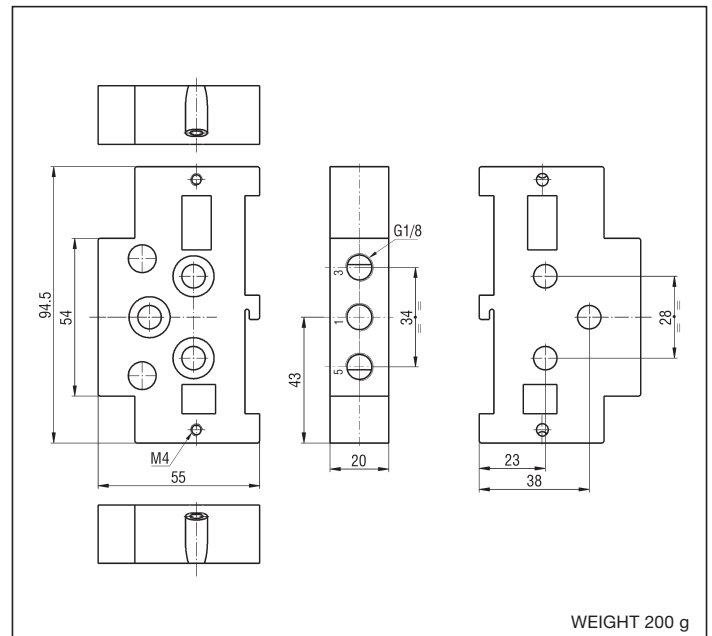
INPUT PLATES ARE SUPPLIED COMPLETE WITH SCREWS AND SEALS

MANIFOLD BASE, SIDE PORTED - MEV18BM



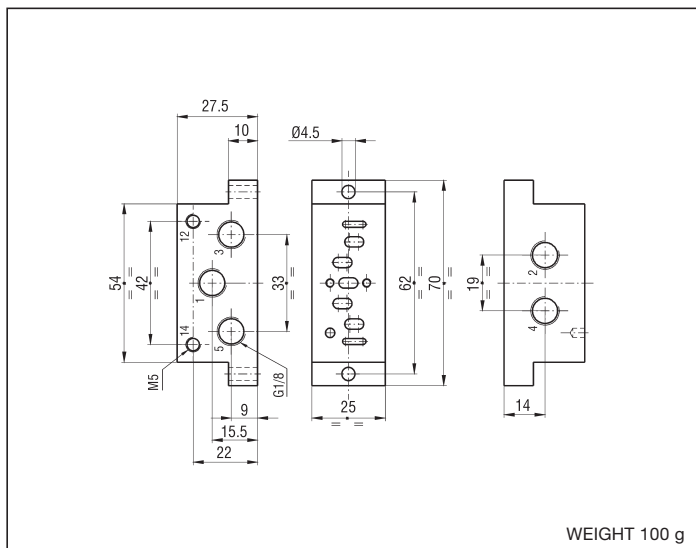
MANIFOLD BASE IS SUPPLIED COMPLETE WITH SCREWS AND SEALS

INTERMEDIATE PLATE, TOP PORTED - MEV18PUS

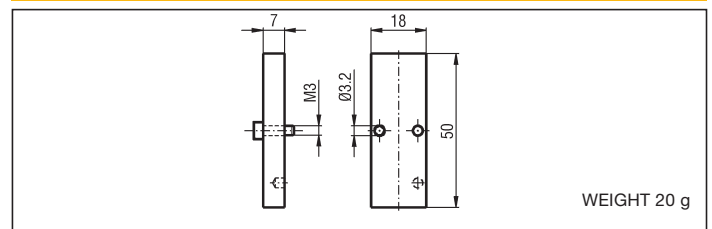


INTERMEDIATE PLATE IS SUPPLIED COMPLETE WITH SCREWS AND SEALS

SINGLE BASE SIDE PORTED - MEV18BS

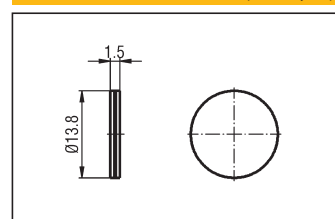


BLANKING PLATE - MEV18PC

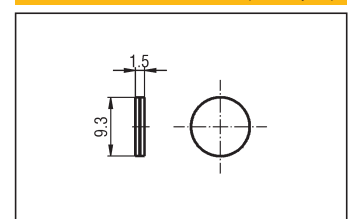


BLANKING PLATE IS SUPPLIED COMPLETE WITH SCREWS AND SEALS

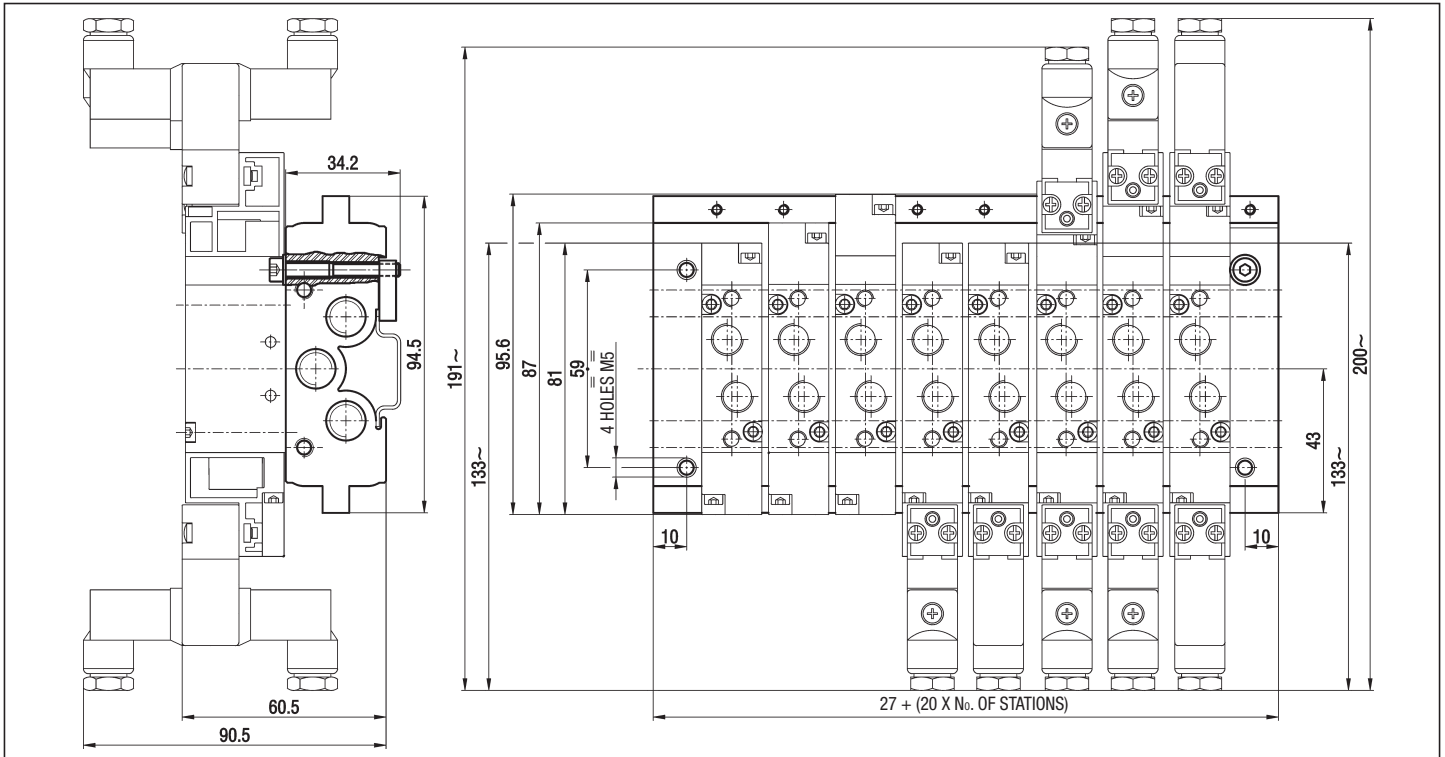
DIAPHRAGM - MEV18DG (No. 3 pcs)



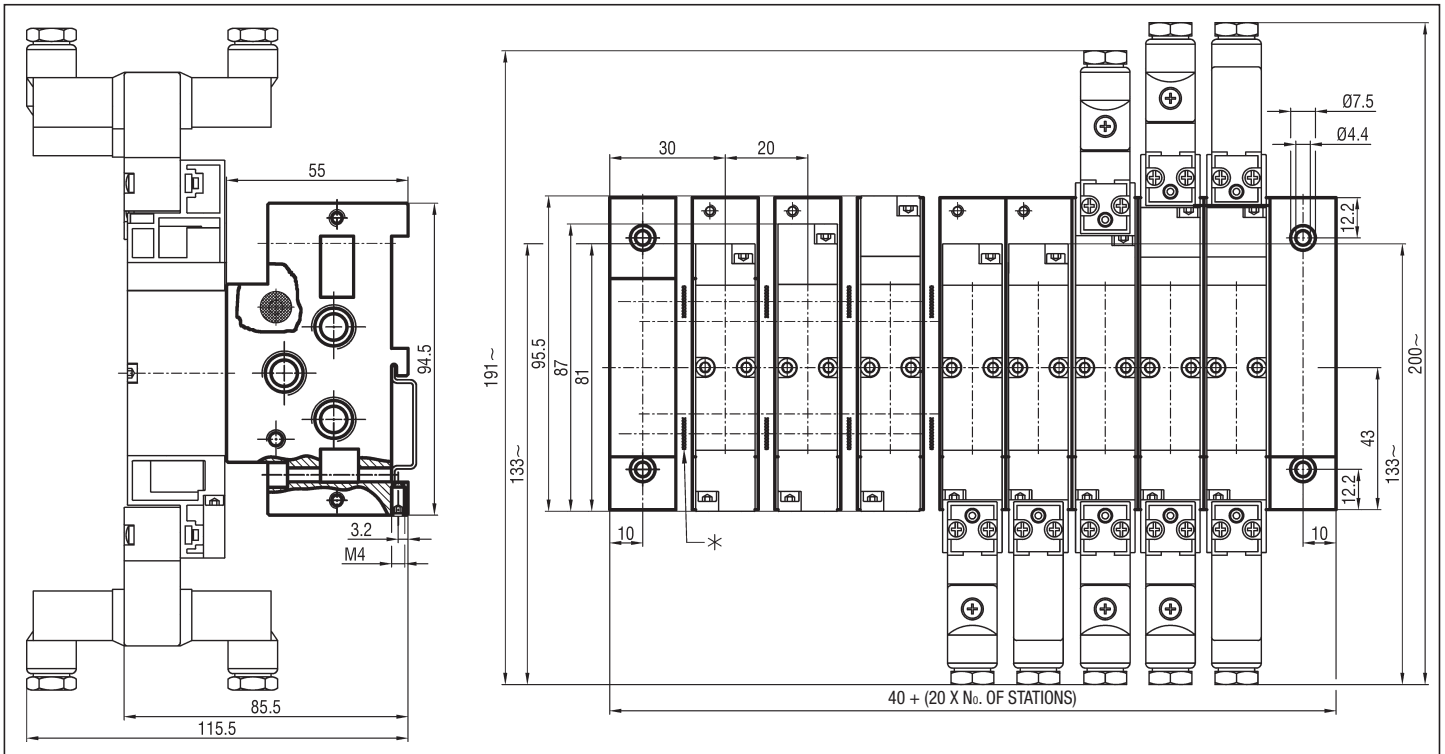
DIAPHRAGM - MEV18DP (No. 2 pcs)



EXAMPLE OF ASSEMBLY - MEV 8 - MEVX 8



EXAMPLE OF ASSEMBLY - MEV 18 - MEVX 18



* WITH THE PILOT ACTUATED VALVES USE THE TWO DIAPHRAGMS (TYPE MEV18DP) TO EXCLUDE THE PILOTING EXHAUST (SEE ON PAGE 2.40)

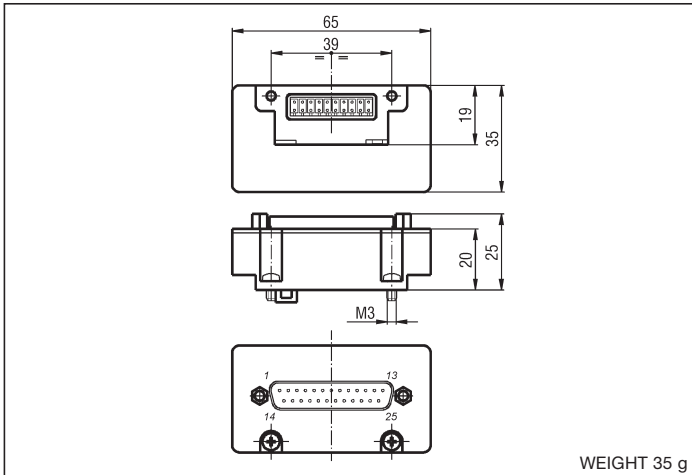
series MEV

Accessories

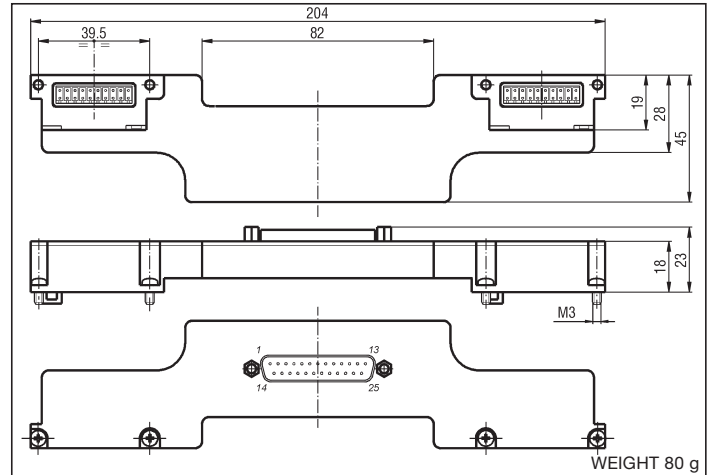
Multi-pin connection with solenoid valves versions MEVX 8 and MEVX 18

2

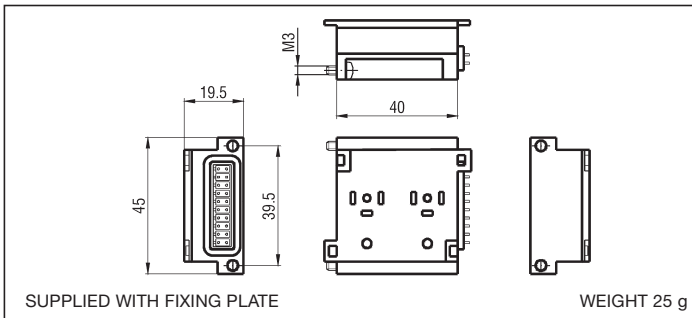
25-PIN PLUG, SINGLE - MEV/C1



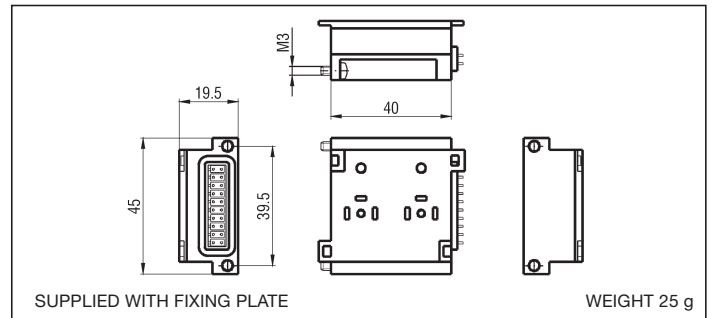
25-PIN PLUG, DOUBLE - MEV/C2



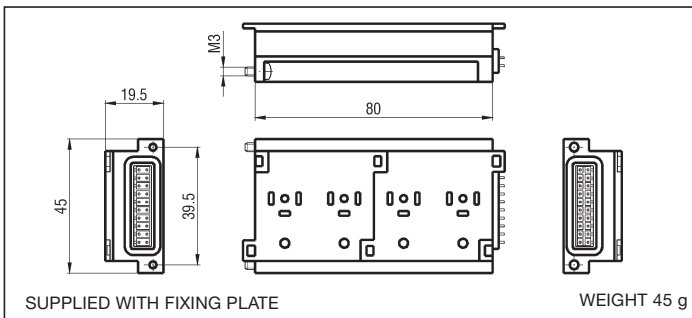
TWO STATIONS MODULE, LEFT - MEV/M2S/AC or DC (24 V)



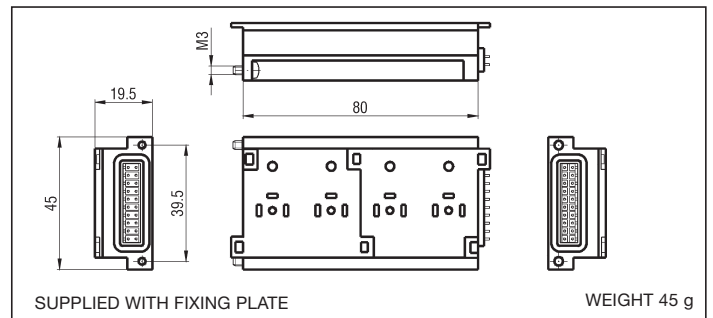
TWO STATIONS MODULE, RIGHT - MEV/M2D/AC or DC (24 V)



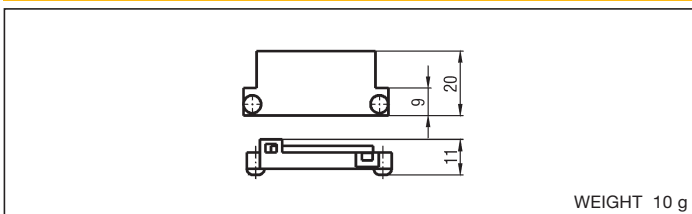
FOUR STATIONS MODULE, LEFT - MEV/M4S/AC or DC (24 V)



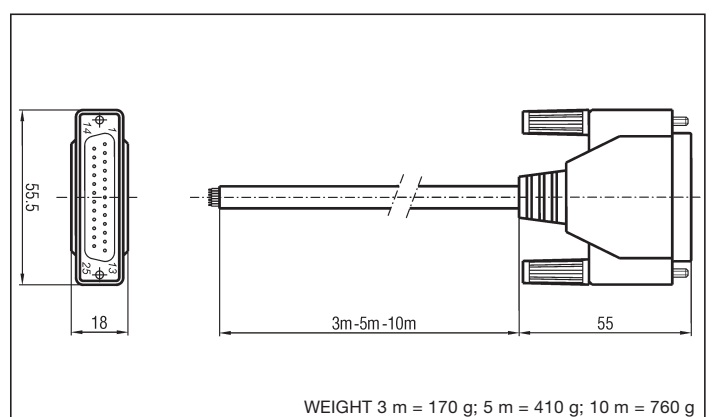
FOUR STATIONS MODULE, RIGHT - MEV/M4D/AC or DC (24 V)



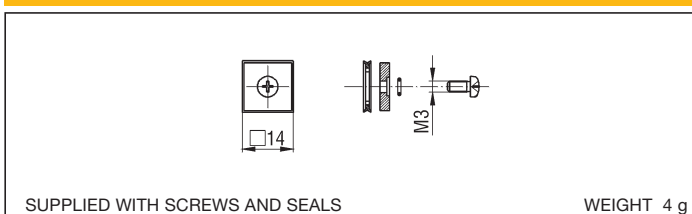
BLANKING CAP - MEV/C



PRE-ASSEMBLED MULTI-PIN CABLE "X" METERS LONG WITH 25-PIN SUB-D PLUG
3 m - MEV/CF3; 5 m - MEV/CF5; 10 m - MEV/CF10



BLANKING PLATE - MEV/PM



Accessories - Multi-pin connection with solenoid valves versions MEVX 8 and MEVX 18 with cable to IEC 60304 standard

series **MEV**

TECHNICAL INFORMATION

CONNECTION WITH ONE DOUBLE 25-PIN SUB-D PLUG, FOR 2 ÷ 11 STATIONS VALVE ISLANDS

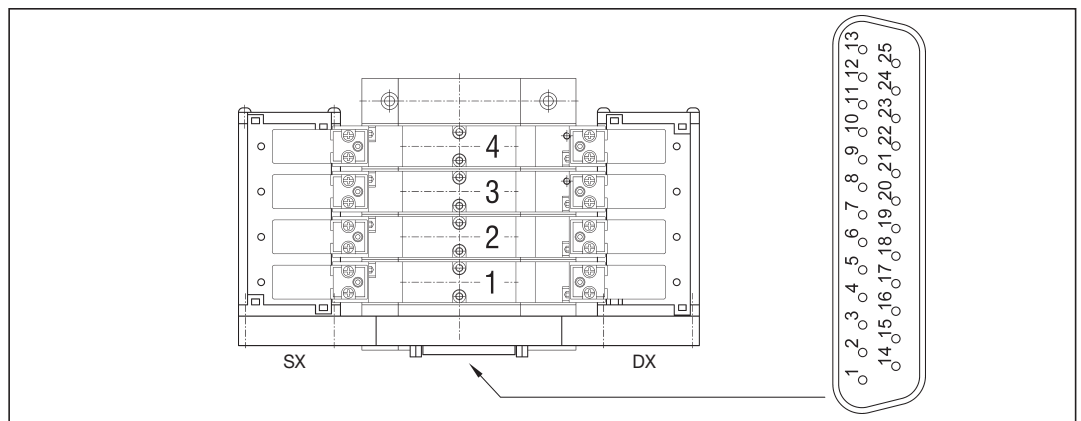
Valve	1		2		3		4		5		6		7		8		9		10		11	
Pilot coil	14(sx)	12(dx)	14(sx)	12(dx)	14(sx)	12(dx)	14(sx)	12(dx)	14(sx)	12(dx)	14(sx)	12(dx)	14(sx)	12(dx)	14(sx)	12(dx)	14(sx)	12(dx)	14(sx)	12(dx)	14(sx)	12(dx)
PIN Number	1	12	2	13	3	14	4	15	5	16	6	17	7	18	8	19	9	20	10	21	11	22
Color	white	red blue	brown	white green	green	brown green	yellow	white yellow	grey	yellow brown	pink	white grey	blue	grey brown	red	white pink	black	pink brown	purple	white blue	grey pink	brown blue

2

Valve	-		-	
Pilot coil	GND*	GND*	GND*	-
PIN Number	23	24	25	-
Color	white red	brown red	white black	-

*Common cable

P.S.: For monostable solenoid valves use left modules

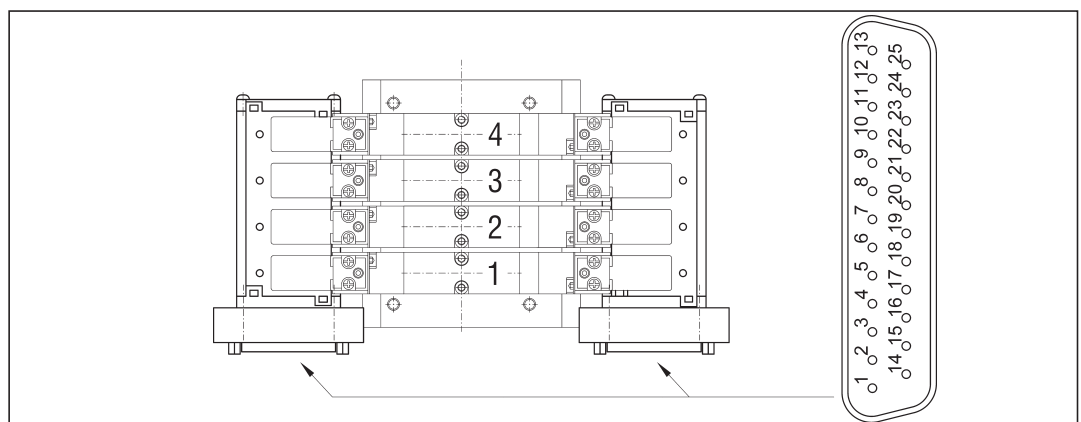


CONNECTION WITH TWO SINGLE 25-PIN SUB-D PLUGS, FOR 2 ÷ 16 STATIONS VALVE ISLANDS

Valve	1		2		3		4		5		6		7		8		9		10		11	
Pilot coil	14(sx)	12(dx)	14(sx)	12(dx)	14(sx)	12(dx)	14(sx)	12(dx)	14(sx)	12(dx)	14(sx)	12(dx)	14(sx)	12(dx)	14(sx)	12(dx)	14(sx)	12(dx)	14(sx)	12(dx)	14(sx)	12(dx)
PIN Number	1	1	2	2	3	3	4	4	5	5	6	6	7	7	8	8	9	9	10	10	11	11
Color	white	white	brown	brown	green	green	yellow	yellow	grey	grey	pink	pink	blue	blue	red	red	black	black	purple	purple	grey pink	grey pink

Valve	12		13		14		15		16		-		-		-		-		-	
Pilot coil	14(sx)	12(dx)	14(sx)	12(dx)	14(sx)	12(dx)	14(sx)	12(dx)	14(sx)	12(dx)	GND*	GND*	GND*	GND*	N.C.	N.C.	N.C.	N.C.	N.C.	-
PIN Number	12	12	13	13	14	14	15	15	16	16	17	18	19	20	21	22	23	24	25	-
Color	red blue	red blue	white green	white green	brown green	brown green	white yellow	white yellow	yellow brown	yellow brown	white grey	grey brown	white pink	pink brown	white blue	brown blue	white red	brown red	white black	-

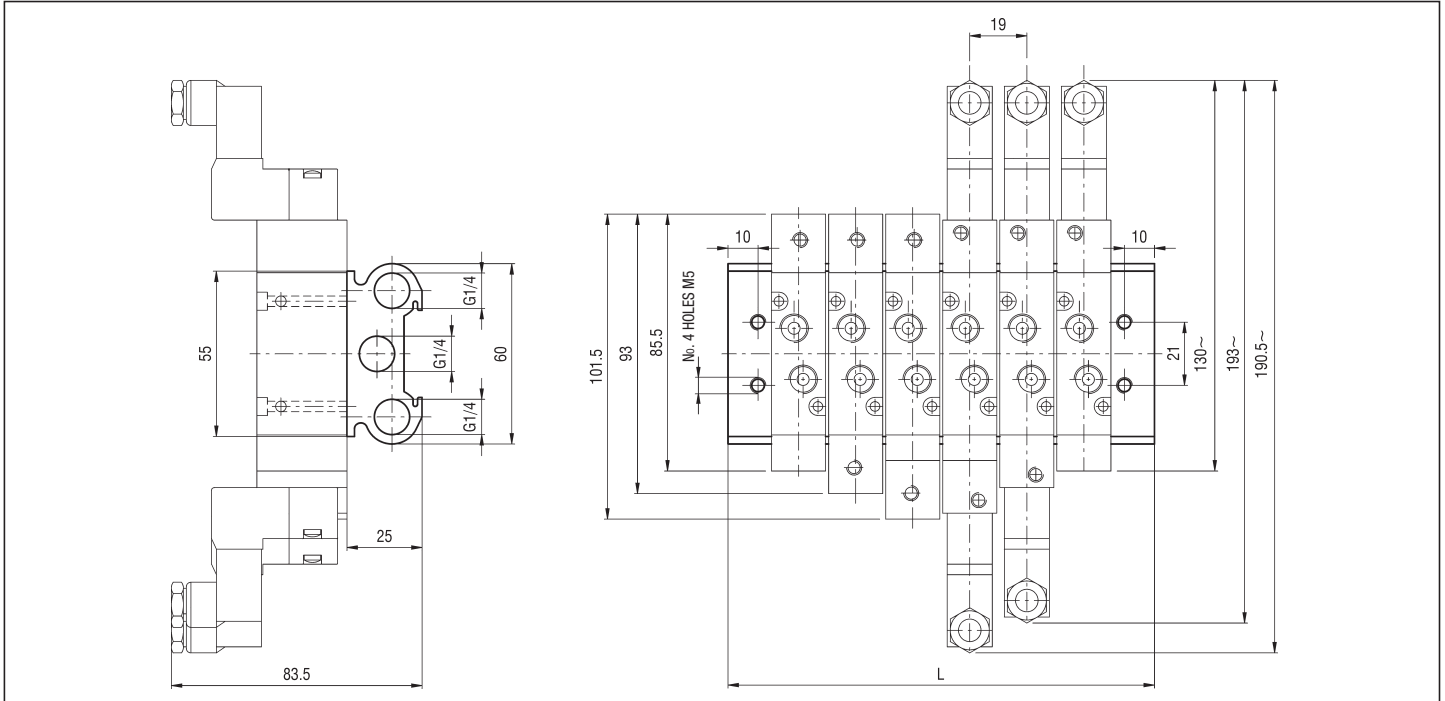
*Common cable



series MEK

Accessories
Bases G 1/8

BASE FOR MANIFOLD MOUNTING OF VALVES G 1/8 - KB/MEK8 - Fit for mounting onto DIN 46277/3 rail



No of stations	2	3	4	5	6	8	10	12	14	16	18	20
L	66	85	104	123	142	180	218	256	294	332	370	408
Weight (g)	175	220	265	310	355	445	535	625	715	805	895	985
TYPE*	KB/MEK8/2	KB/MEK8/3	KB/MEK8/4	KB/MEK8/5	KB/MEK8/6	KB/MEK8/8	KB/MEK8/10	KB/MEK8/12	KB/MEK8/14	KB/MEK8/16	KB/MEK8/18	KB/MEK8/20

BLANKING PLATE - KIT/PC/MEK8

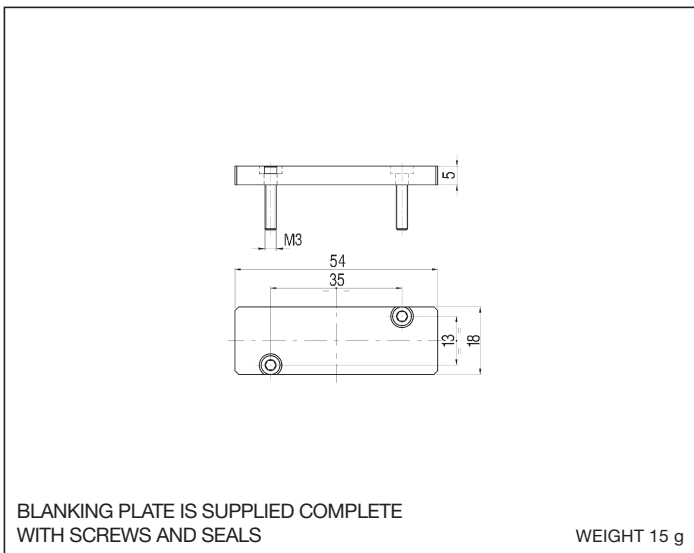
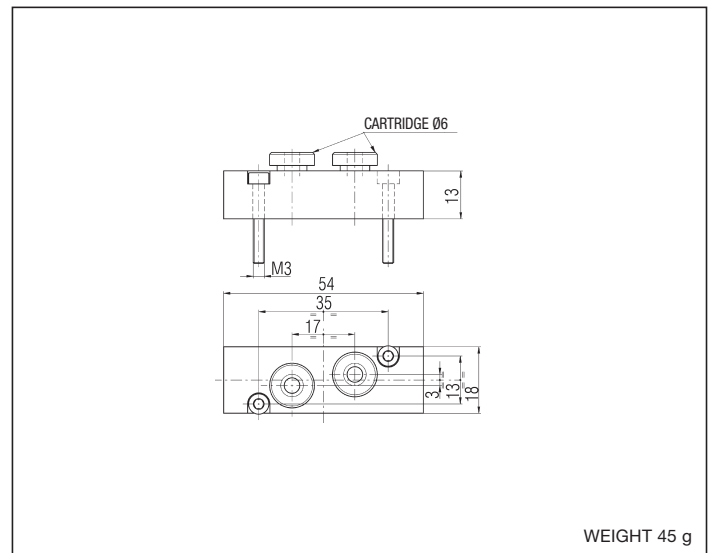


PLATE WITH PUSH-IN FITTING FOR PIPE Ø 6 mm - KIT/IR/MEK8



G 1/4 - 5 PORT

series **MEK**

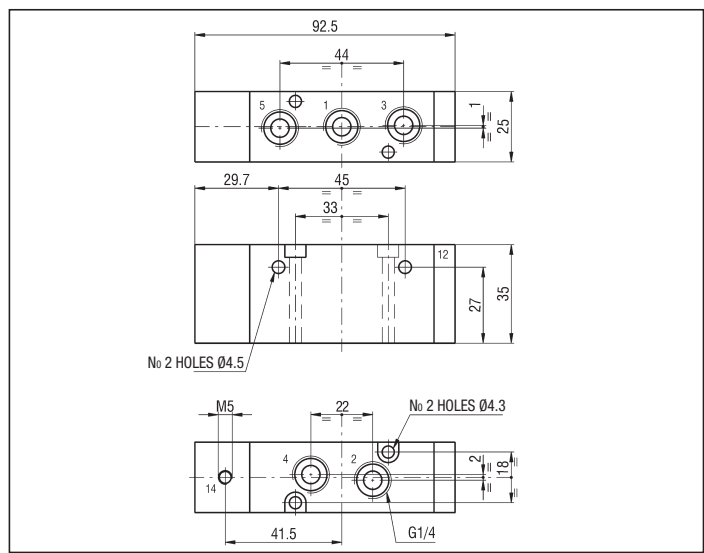
2

PILOT ACTUATED VALVES G 1/4

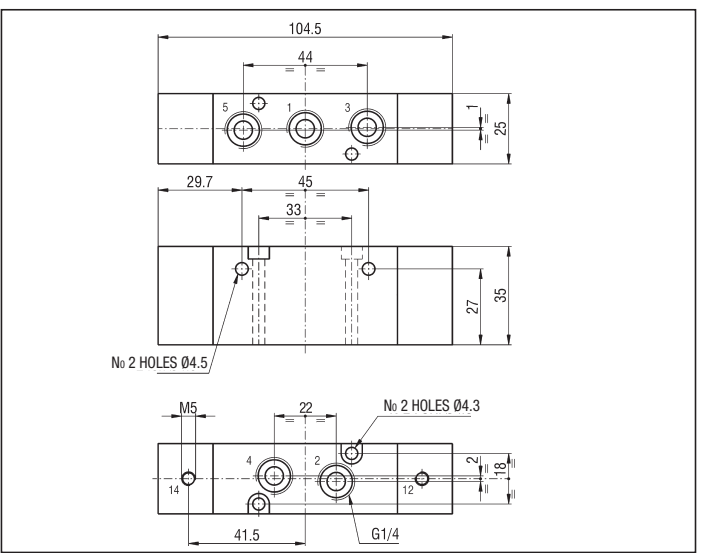
Symbol	Function	Controls		Response time at 6 bar (ms)		Flow rate at 6 bar $\Delta P = 1 \text{ bar (l/min)}$	Weight (g)	TYPE*
		Pilot	Return	Energized	De-energized			
	5/2 monostable	Pneumatic	Pneumomechanical spring	7	3	900	190	MEKCA4 KR/ZQ
	5/2 bistable	Pneumatic	Pneumatic	5	5	900	215	MEKCA4 KR/KR
	5/3 closed centre	Pneumatic	Mechanical spring	5	15	600	240	MEKCA4 SR/SR
	5/3 open centre	Pneumatic	Mechanical spring	5	15	600	240	MEKCA4 AR/AR
	5/3 pressure centre	Pneumatic	Mechanical spring	5	15	600	240	MEKCA4 PR/PR

*/EX Consistent with the ATEX directive II 2GD c T5 T100°C -10°C ≤ Ta ≤ 60°C E.G.: MEKCA4 KR/ZQ/EX

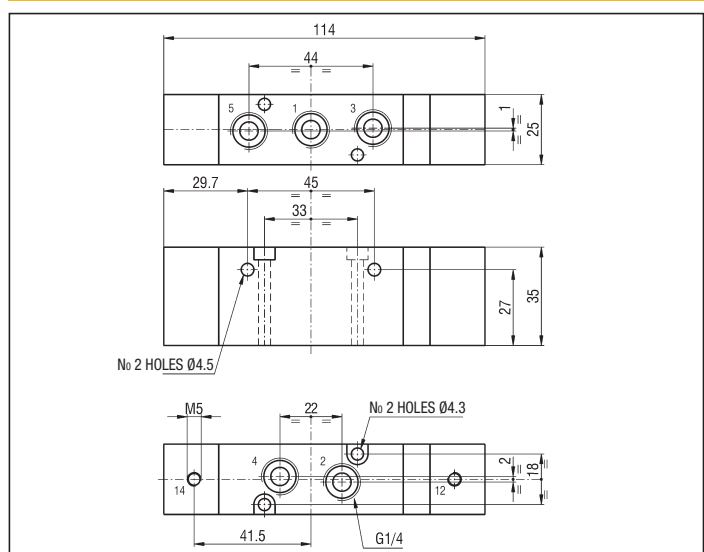
MEKCA4 KR/ZQ



MEKCA4 KR/KR



MEKCA4 SR/SR - MEKCA4 AR/AR - MEKCA4 PR/PR



series MEK

G 1/4 - 5 PORT

SOLENOID ACTUATED VALVES WITH COIL SIZE 15 mm G 1/4

Symbol	Function	Controls		Response time at 6 bar (ms)		Flow rate at 6 bar $\Delta P = 1 \text{ bar (Nl/min)}$	Weight (g)	TYPE*
		Pilot	Return	Energized	De-energized			
	5/2 monostable	Solenoid	Pneumomechanical spring	15	20	900	225	MEKCA4 KUC/ZQ
		Solenoid pilot assisted	Pneumomechanical spring					MEKCA4 KUR/ZQ
	5/2 bistable	Solenoid	Solenoid	10	10	900	290	MEKCA4 KUC/KUC
		Solenoid pilot assisted	Solenoid pilot assisted					MEKCA4 KUR/KUR
	5/3 closed centre	Solenoid	Mechanical spring	15	30	600	315	MEKCA4 SUC/SUC
		Solenoid pilot assisted	Mechanical spring					MEKCA4 SUR/SUR
	5/3 open centre	Solenoid	Mechanical spring	12	30	600	315	MEKCA4 AUC/AUC
		Solenoid pilot assisted	Mechanical spring					MEKCA4 AUR/AUR
	5/3 pressure centre	Solenoid	Mechanical spring	10	30	600	315	MEKCA4 PUC/PUC
		Solenoid pilot assisted	Mechanical spring					MEKCA4 PUR/PUR

* SPECIFY THE VOLTAGE IN THE ORDER - E.G.: **MEKCA4 KUC/ZQ 02450-60**

02400 = 24 V DC

11050-60 = 110 V AC

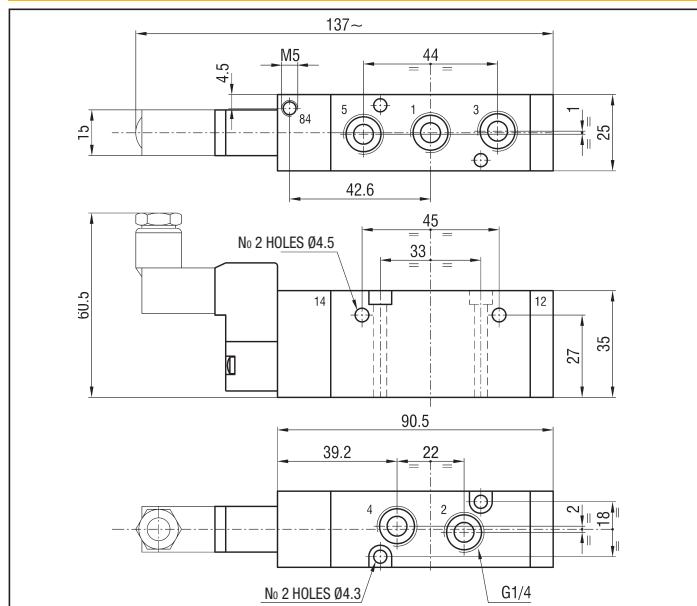
02450-60 = 24 V AC

22050-60 = 220 V AC

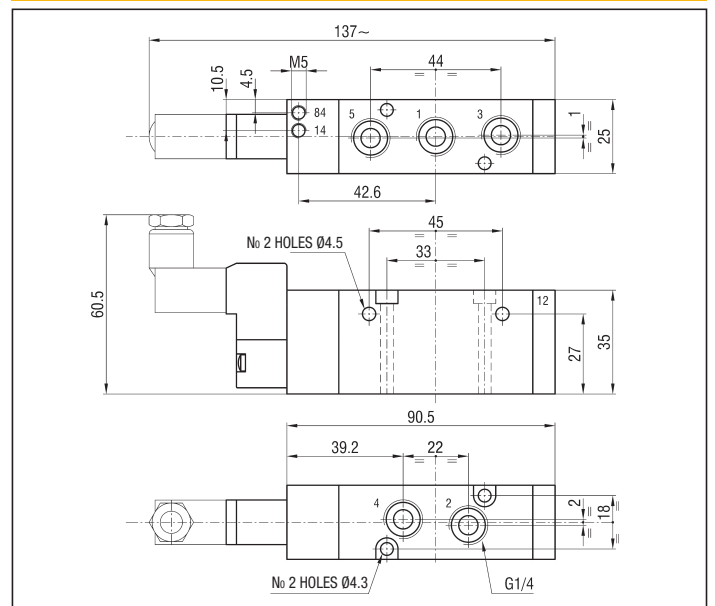
/EX Consistent with the ATEX directive II 3G c Ex nA IIC T5 Gc -5°C ≤ Ta ≤ 50°C
II 3D c Ex tc IIIC T100°C IP65 Dc

E.G.: **MEKCA4 KUC/ZQ 02400/EX**

MEKCA4 KUC/ZQ



MEKCA4 KUR/ZQ

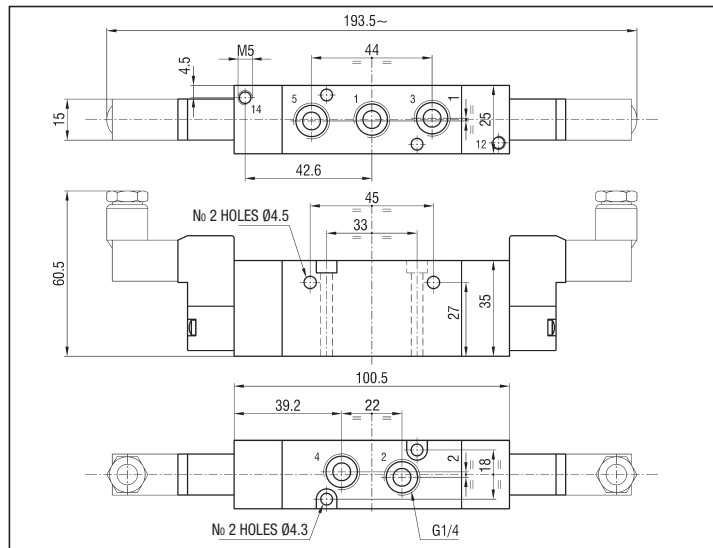


G 1/4 - 5 PORT

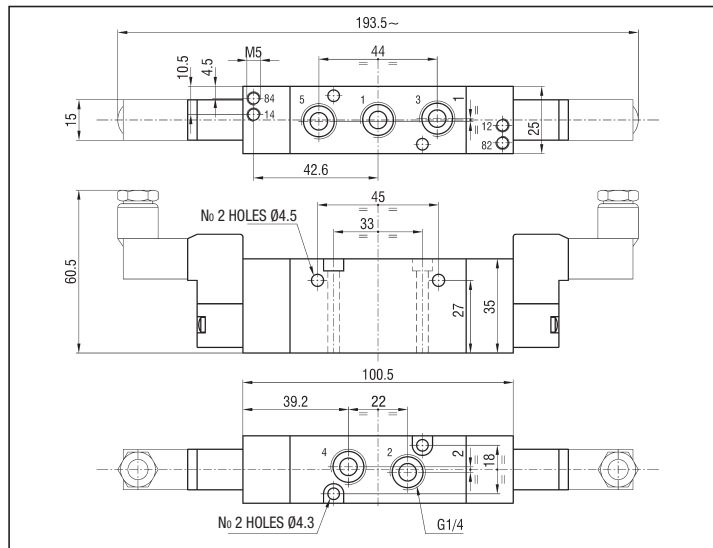
series **MEK**

2

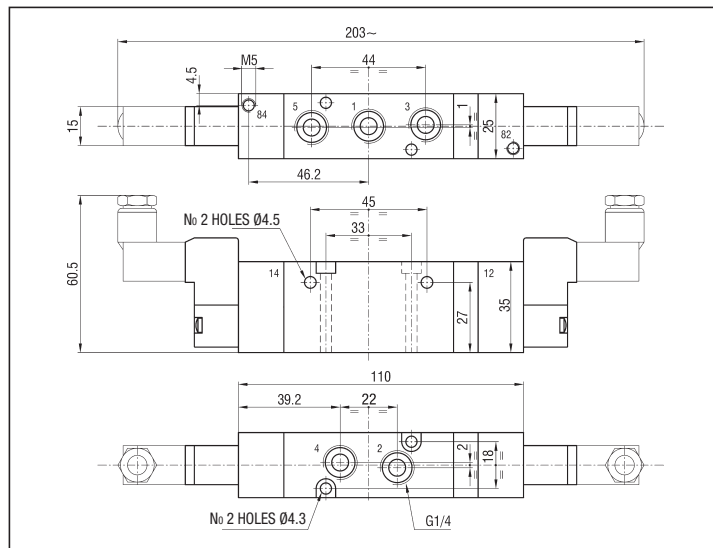
MEKCA4 KUC/KUC



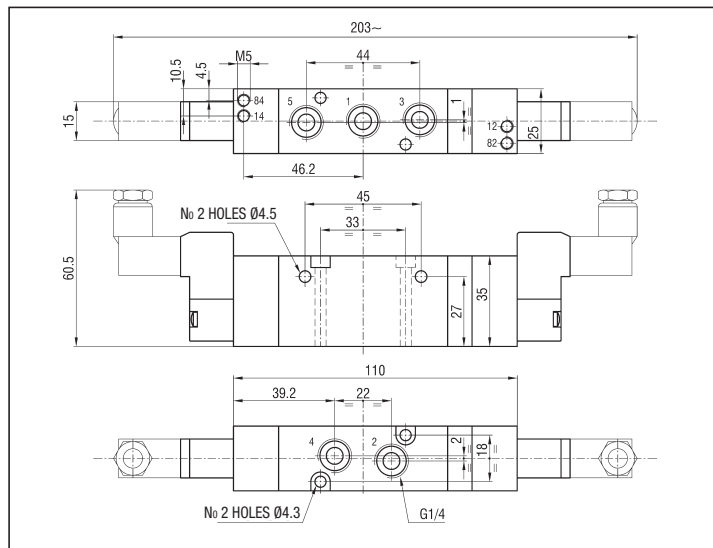
MEKCA4 KUR/KUR



MEKCA4 SUC/SUC - MEKCA4 PUC/PUC - MEKCA4 AUC/AUC



MEKCA4 SUR/SUR - MEKCA4 PUR/PUR - MEKCA4 AUR/AUR



series MEK

G 1/4 - 5 PORT

SOLENOID ACTUATED VALVES WITH SLEEVE Ø 9 mm G 1/4

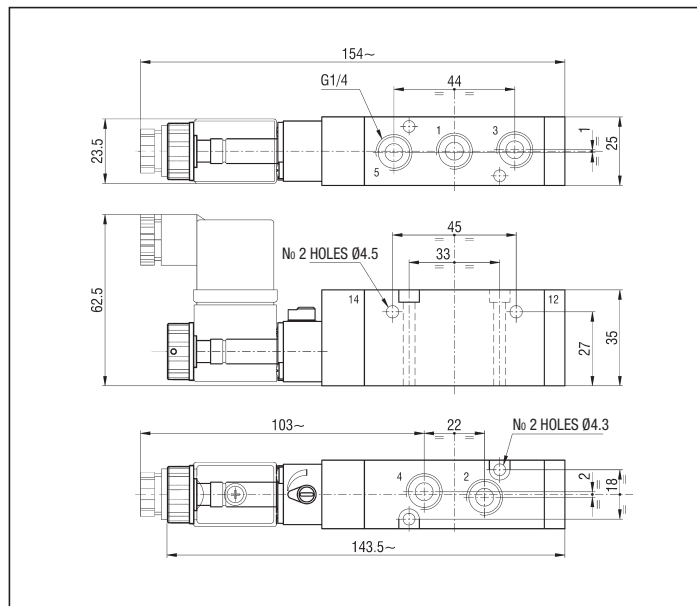
Symbol	Function	Controls		Response time at 6 bar (ms)		Flow rate at 6 bar ΔP = 1 bar (NI/min)	Weight (g)	TYPE*
		Pilot	Return	Energized	De-energized			
	5/2 monostable	Solenoid	Pneumomechanical spring	22	24	900	210	MEKCA4 KUCG/ZQ
		Solenoid pilot assisted	Pneumomechanical spring					MEKCA4 KURG/ZQ
	5/2 bistable	Solenoid	Solenoid	16	16	900	260	MEKCA4 KUCG/KUCG
		Solenoid pilot assisted	Solenoid pilot assisted					MEKCA4 KURG/KURG
	5/3 closed centre	Solenoid	Mechanical spring	21	30	600	280	MEKCA4 SUCG/SUCG
		Solenoid pilot assisted	Mechanical spring					MEKCA4 SURG/SURG
	5/3 open centre	Solenoid	Mechanical spring	18	30	600	280	MEKCA4 AUCG/AUCG
		Solenoid pilot assisted	Mechanical spring					MEKCA4 AURG/AURG
	5/3 pressure centre	Solenoid	Mechanical spring	15	30	600	280	MEKCA4 PUCG/PUCG
		Solenoid pilot assisted	Mechanical spring					MEKCA4 PURG/PURG

* THE TYPES OF THE SOLENOID VALVES DO NOT INCLUDE COILS

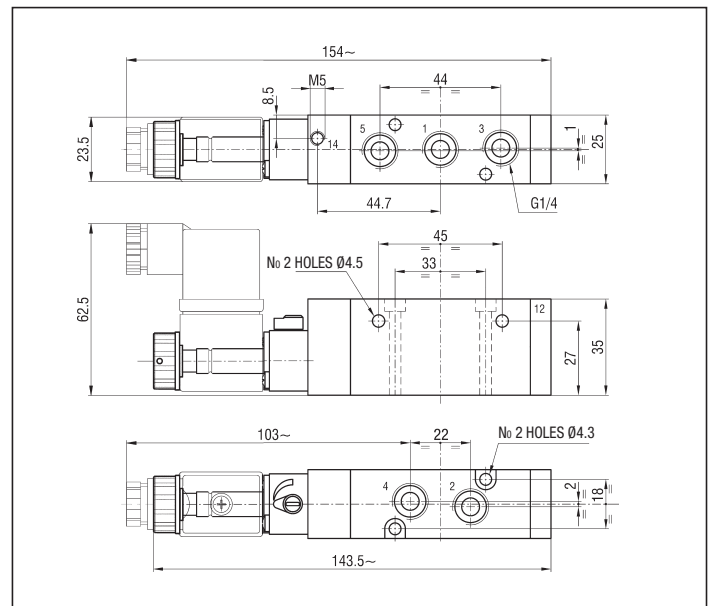
/EX Consistent with the ATEX directive II 2GD c T5 T100°C -10°C ≤ Ta ≤ 60°C

E.G.: MEKCA4 KUCG/ZQ/EX

MEKCA4 KUCG/ZQ



MEKCA4 KURG/ZQ

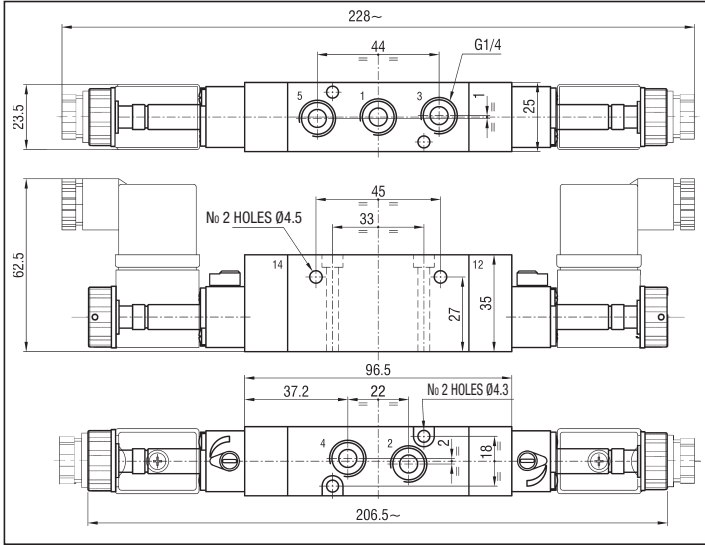


G 1/4 - 5 PORT

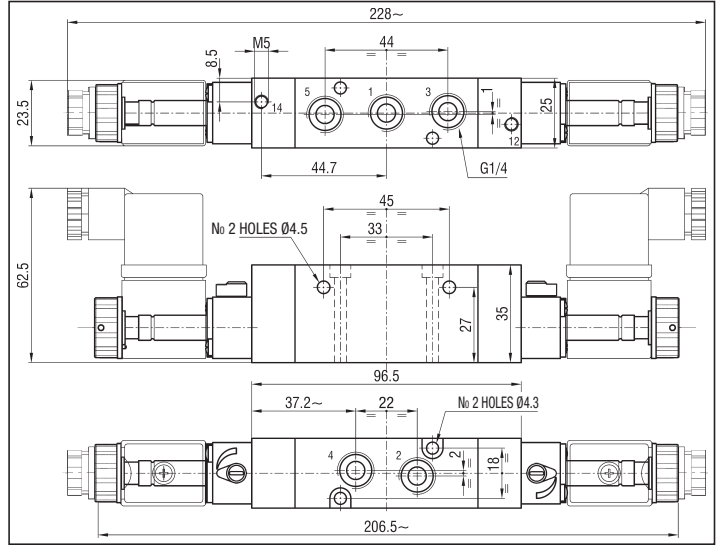
series **MEK**

2

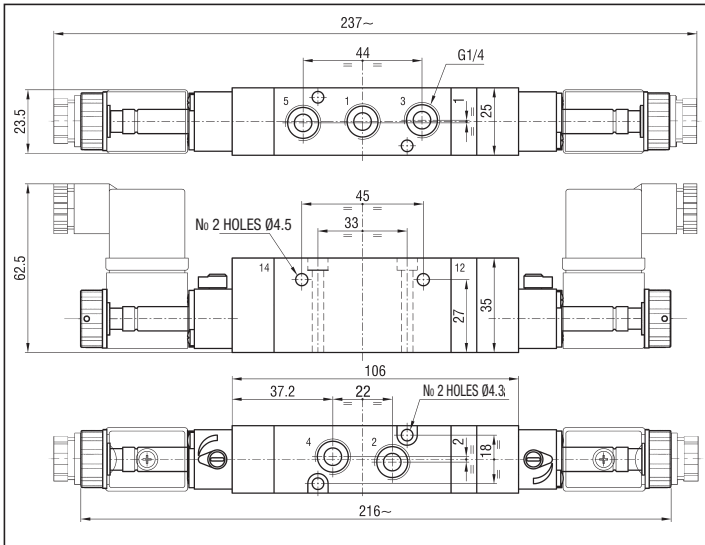
MEKCA4 KUCG/KUCG



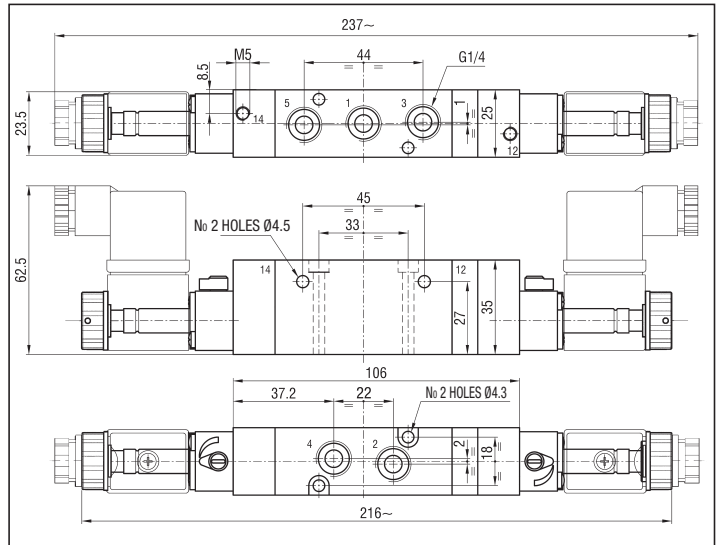
MEKCA4 KURG/KURG



MEKCA4 SUCG/SUCG - MEKCA4 PUCG/PUCG - MEKCA4 AUCG/AUCG



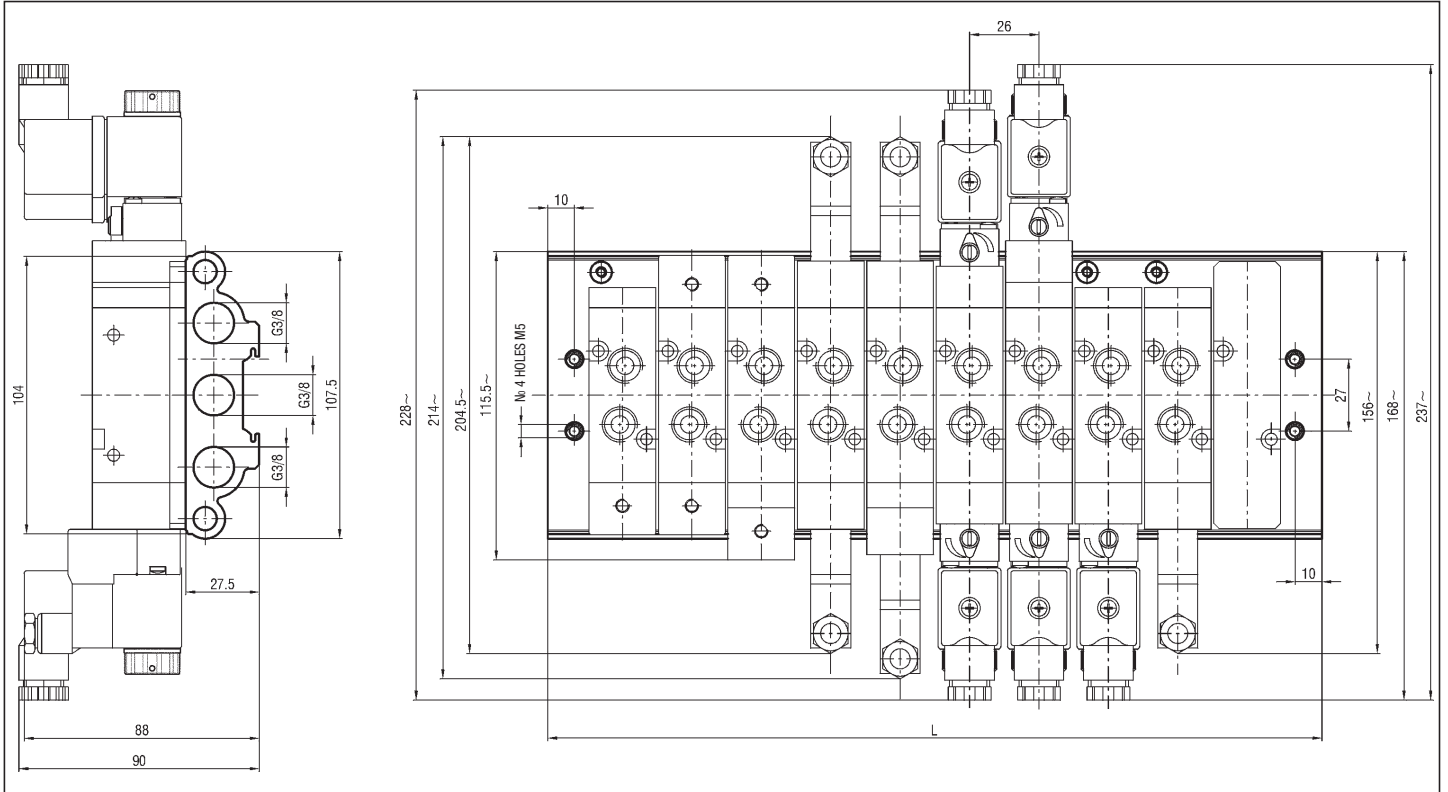
MEKCA4 SURG/SURG - MEKCA4 PURG/PURG - MEKCA4 AURG/AURG



series MEK

Accessories Bases G 1/4

BASE FOR MANIFOLD MOUNTING OF VALVES G 1/4 - KB/MEK4 - Fit for mounting onto DIN 46277/3 rail



No of stations	2	3	4	5	6	8	10	12	14	16	18	20
L	82	108	134	160	186	238	290	342	394	446	498	550
Weight (g)	370	475	580	685	790	1000	1210	1220	1630	1840	2050	2260
TYPE*	KB/MEK4/2	KB/MEK4/3	KB/MEK4/4	KB/MEK4/5	KB/MEK4/6	KB/MEK4/8	KB/MEK4/10	KB/MEK4/12	KB/MEK4/14	KB/MEK4/16	KB/MEK4/18	KB/MEK4/20

*BASES ARE SUPPLIED COMPLETE WITH SCREWS AND SEALS

BLANKING PLATE - KIT/PC/MEK4

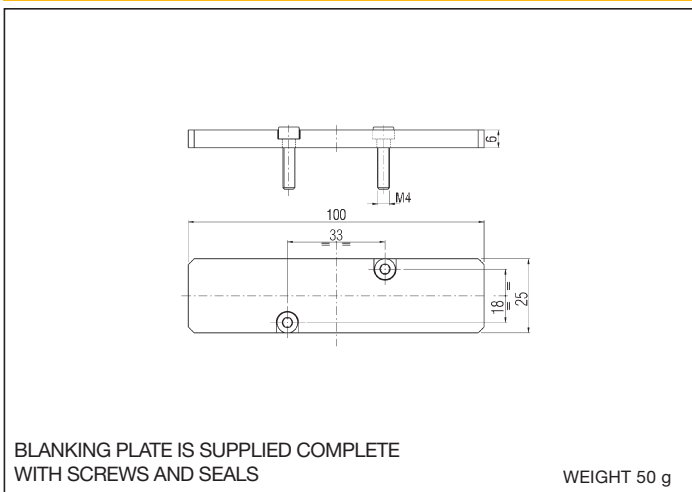
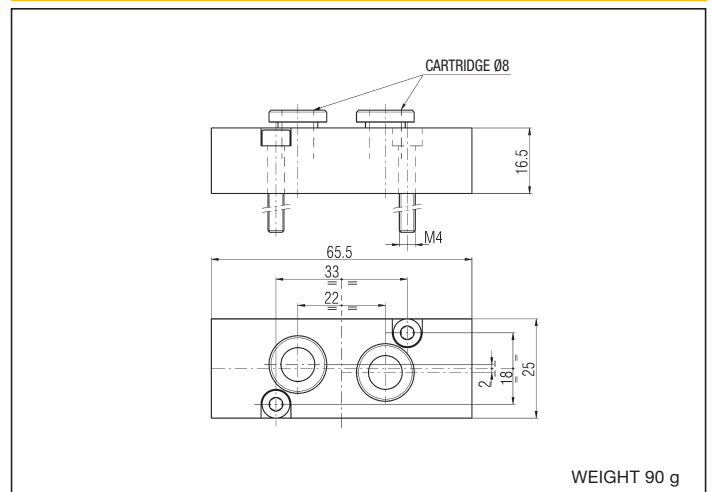


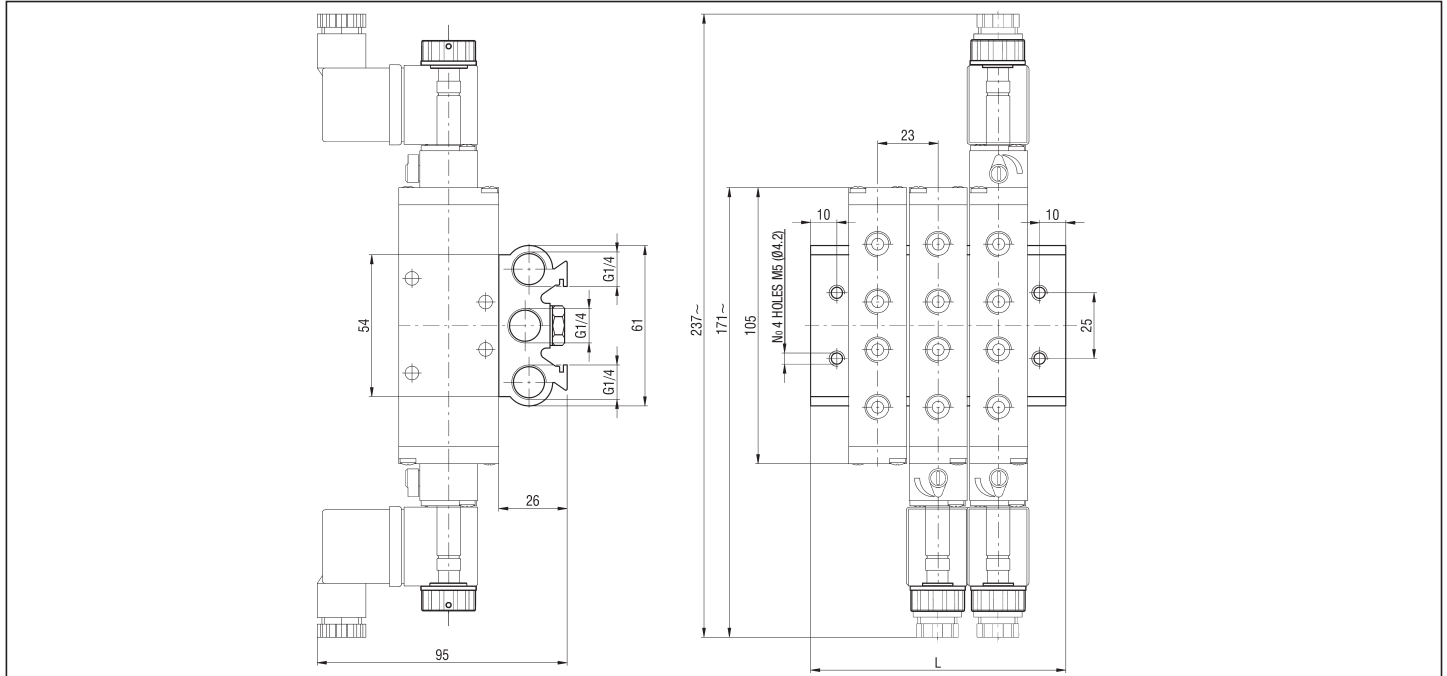
PLATE WITH PUSH-IN FITTING FOR PIPE Ø 8 mm - KIT/IR/MEK4



series EK

Accessories Bases G 1/8

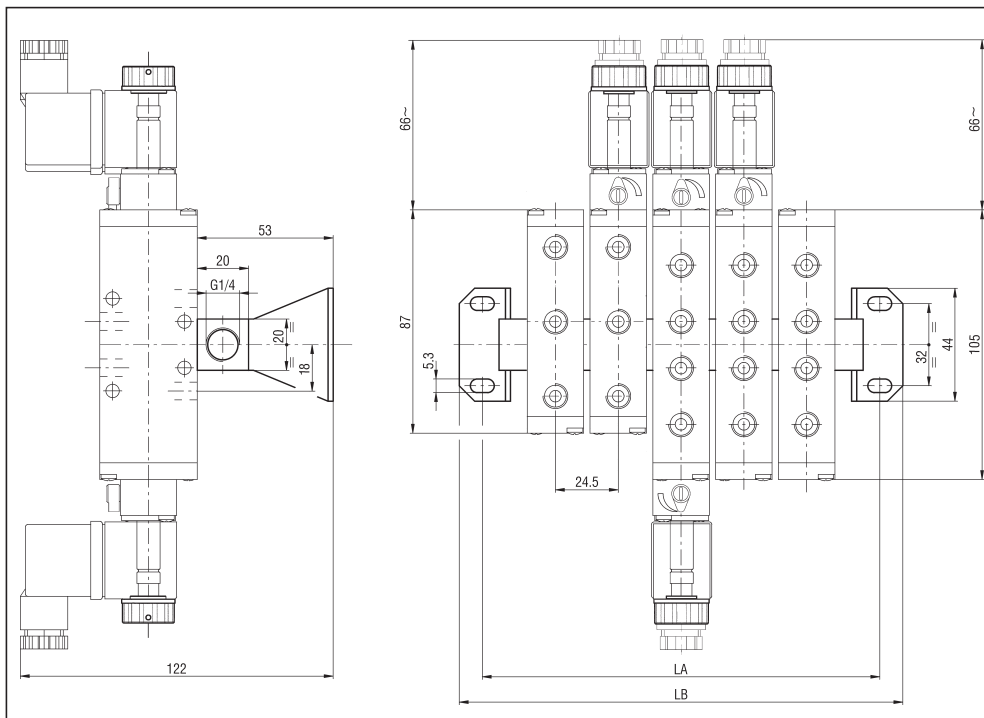
BASE FOR MANIFOLD MOUNTING OF VALVES G 1/8 - KB/EK8



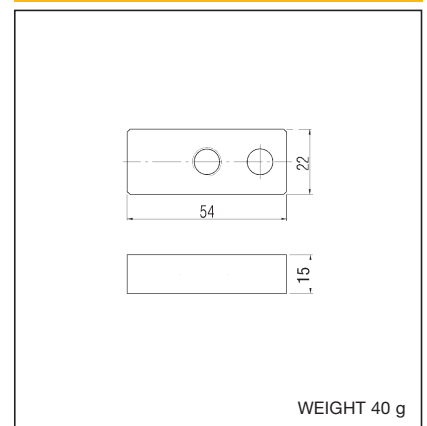
No of stations	2	3	4	5	6	8	10	12	14	16	18	20
L	74	97	120	143	166	212	258	304	350	396	442	488
Weight (g)	220	285	350	415	480	610	740	870	1000	1130	1260	1390
TYPE*	KB/EK8/2	KB/EK8/3	KB/EK8/4	KB/EK8/5	KB/EK8/6	KB/EK8/8	KB/EK8/10	KB/EK8/12	KB/EK8/14	KB/EK8/16	KB/EK8/18	KB/EK8/20

*BASES ARE SUPPLIED COMPLETE WITH HOLLOW SCREWS AND SEALS

SUPPLY RAIL FOR MANIFOLD MOUNTING OF VALVES G 1/8 - CEK8



BLANKING PLATE - KIT/PC/EK8



No of stations	2	3	5
LA	83	105	150
LB	101	123	168
Weight (g)	135	170	240
TYPE*	CEK8/2	CEK8/3	CEK8/5

*SUPPLY RAILS ARE SUPPLIED COMPLETE WITH HOLLOW SCREWS, SEALS AND FIXING BRACKETS
P.S.: CAN BE MOUNTED ONLY SILENCERS SERIES SS-01 (SEE THE HIDDEN SILENCERS ON PAGE 5.52)

G 1/4 - 3 PORT

series **EK**

2

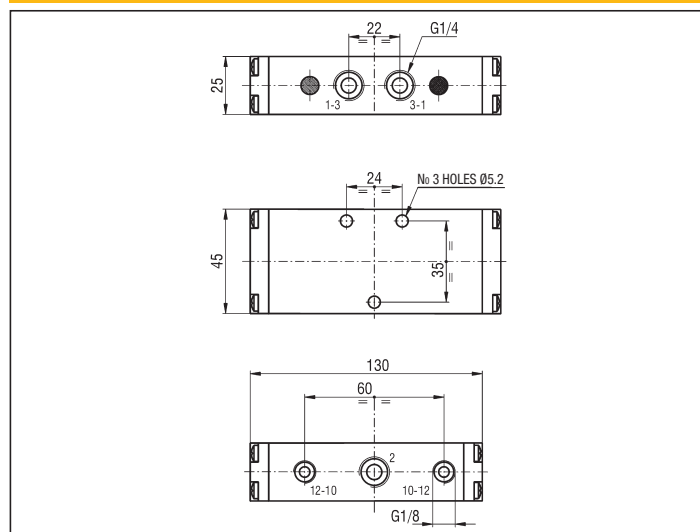
PILOT ACTUATED VALVES G 1/4 - 3 PORT

Symbol	Function	Controls		Response time at 6 bar (ms)		Flow rate at 6 bar $\Delta P = 1 \text{ bar (Nl/min)}$	Weight (g)	TYPE*
		Pilot	Return	Energized	De-energized			
	3/2 N.O. monostable	Pneumatic	Mechanical spring	21	14	950	335	EKA4 KR/ZR
		Pneumatic	Pneumatic spring	28	10	950	325	EKA4 KR/TQ
	3/2 N.C. monostable	Pneumatic	Mechanical spring	21	14	950	335	EKC4 KR/ZR
		Pneumatic	Pneumatic spring	25	11	950	325	EKC4 KR/TQ
	3/2 bistable	Pneumatic	Pneumatic	11	11	950	330	EK4 KR/KR
		Pneumatic	Pneumatic differential	10	18	950	330	EK4 KR/TR

***EX** Consistent with the ATEX directive II 2GD c T5 T100°C -20°C ≤ T_a ≤ 60°C

E.G.: **EKA4 KR/ZR/EX**

3 PORT

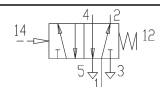
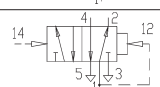
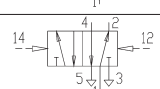
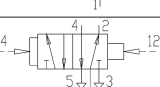
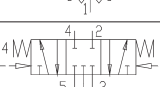
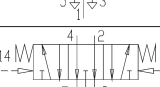
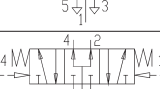


series EK

G 1/4 - 5 PORT

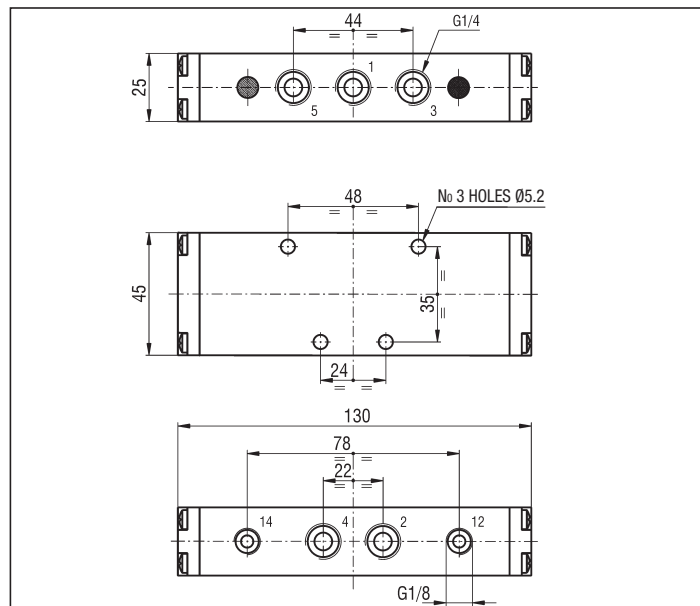
2

PILOT ACTUATED VALVES G 1/4 - 5 PORT

Symbol	Function	Controls		Response time at 6 bar (ms)		Flow rate at 6 bar $\Delta P = 1 \text{ bar (Nl/min)}$	Weight (g)	TYPE*
		Pilot	Return	Energized	De-energized			
	5/2 monostable	Pneumatic	Mechanical spring	18	14	900	385	EKCA4 KR/ZR
		Pneumatic	Pneumatic spring	25	11	900	370	EKCA4 KR/TQ
	5/2 bistable	Pneumatic	Pneumatic	11	11	900	370	EKCA4 KR/KR
		Pneumatic	Small pneumatic	10	20	900	370	EKCA4 KR/TR
	5/3 closed centre	Pneumatic	Mechanical spring	20	14	510	420	EKCA4 SR/SR
	5/3 open centre	Pneumatic	Mechanical spring	20	14	850	415	EKCA4 AR/AR
	5/3 pressure centre	Pneumatic	Mechanical spring	20	14	690	415	EKCA4 PR/PR

*EX Consistent with the ATEX directive  II 2GD c T5 T100°C -20°C ≤ T_a ≤ 60°C E.G.: EKCA4 KR/ZR/EX

5 PORT



G 1/4 - 5 PORT

series **EK**

2

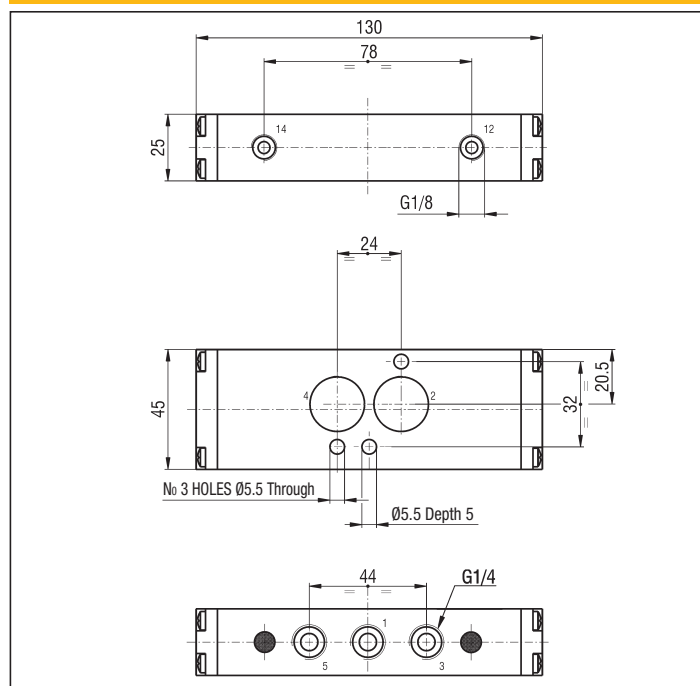
PILOT ACTUATED VALVES "NAMUR" PORT PATTERN G 1/4 - 5 PORT

Symbol	Function	Controls		Response time at 6 bar (ms)		Flow rate at 6 bar $\Delta P = 1 \text{ bar (Nl/min)}$	Weight (g)	TYPE*
		Pilot	Return	Energized	De-energized			
	5/2 monostable	Pneumatic	Mechanical spring	18	14	900	390	ENCA4 KR/ZR
		Pneumatic	Pneumatic spring	25	11	900	375	ENCA4 KR/TQ
	5/2 bistable	Pneumatic	Pneumatic	11	11	900	375	ENCA4 KR/KR
		Big pneumatic	Small pneumatic	10	20	900	375	ENCA4 KR/TR
	5/3 closed centre	Pneumatic	Mechanical spring	20	14	510	425	ENCA4 SR/SR
	5/3 open centre	Pneumatic	Mechanical spring	20	14	850	420	ENCA4 AR/AR
	5/3 pressure centre	Pneumatic	Mechanical spring	20	14	690	420	ENCA4 PR/PR

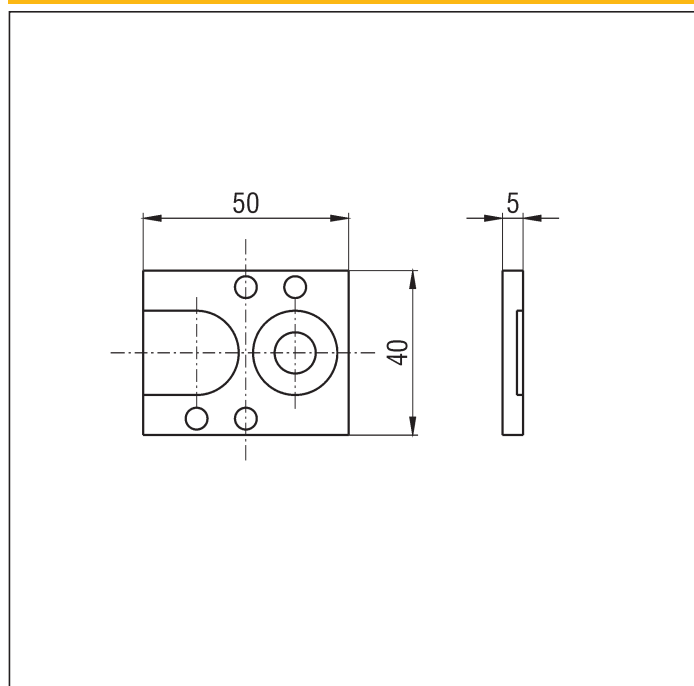
*THE VALVES ARE SUPPLIED WITH O-RING

/EX Consistent with the ATEX directive II 2GD c T5 T100°C -20°C ≤ Ta ≤ 60°C E.G.: ENCA4 KR/ZR/EX

"NAMUR" PORT PATTERN - 5 PORT



INTERFACE PLATE FOR "NAMUR"* - KIT/P/ENK



*To change the pneumatic function from 5/2 to 3/2.

series EK

G 1/4 - 3 PORT

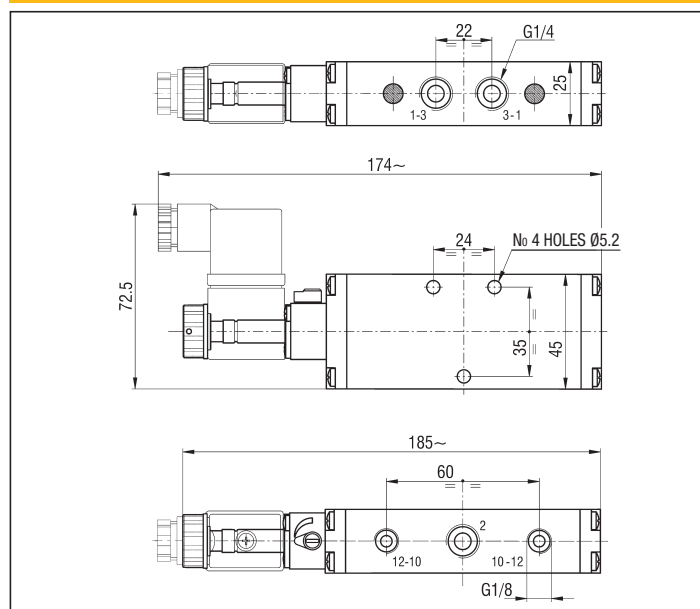
SOLENOID ACTUATED VALVES G 1/4 - 3 PORT

Symbol	Function	Controls		Response time at 6 bar (ms)		Flow rate at 6 bar $\Delta P = 1 \text{ bar (Nl/min)}$	Weight (g)	TYPE*
		Pilot	Return	Energized	De-energized			
	3/2 N.O. monostable	Solenoid	Mechanical spring	22	60	950	385	EKA4 KUC/ZR
		Solenoid	Pneumatic spring	24	50	950	370	EKA4 KUC/TQ
		Solenoid pilot assisted	Mechanical spring	22	60	950	385	EKA4 KUR/ZR
	3/2 N.C. monostable	Solenoid	Mechanical spring	22	60	950	385	EKC4 KUC/ZR
		Solenoid	Pneumatic spring	24	50	950	370	EKC4 KUC/TQ
		Solenoid pilot assisted	Mechanical spring	22	60	950	385	EKC4 KUR/ZR
	3/2 bistable	Solenoid	Solenoid	23	23	950	405	EK4 KUC/KUC
		Solenoid pilot assisted	Solenoid pilot assisted	23	23	950	405	EK4 KUR/KUR

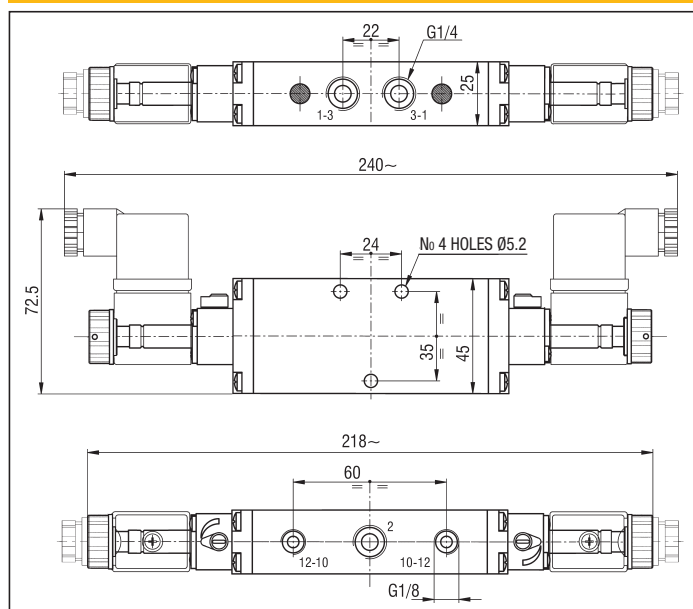
P.S.: SUBSTITUTE THE LETTER "U" WITH THE LETTER "L" IN EACH SOLENOID CONTROL TYPE TO ORDER THE SOLENOID ACTUATED VALVES WITH SOLENOID AT 90° RESPECT THE BODY OF THE VALVE. E.G.: EKC4 KUC/TQ BECOMES EKC4 KLC/TQ (SEE ON PAGE 2.74 FOR THE MISSING DIMENSIONS)
*THE TYPES OF THE SOLENOID VALVES DO NOT INCLUDE COILS

/EX Consistent with the ATEX directive II 2GD c T5 T100°C -20°C ≤ Ta ≤ 60°C E.G.: EKA4 KUC/ZR/EX

3 PORT MONOSTABLE



3 PORT BISTABLE



G 1/4 - 5 PORT

series **EK**

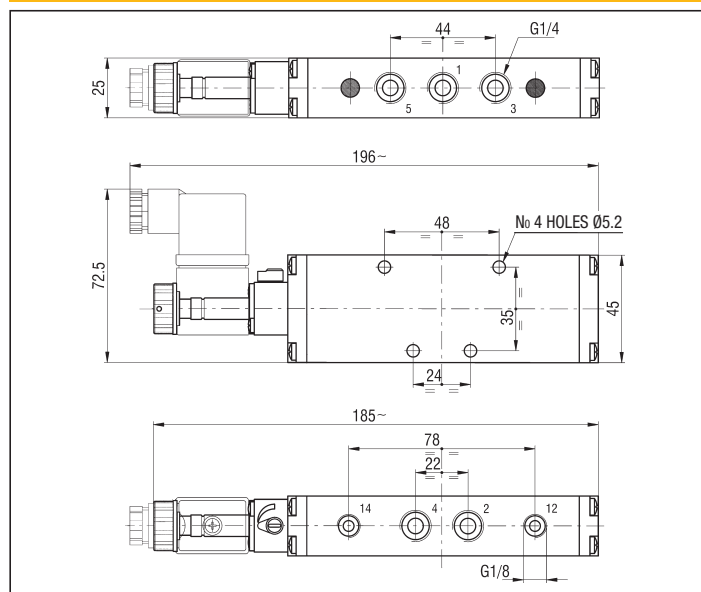
2

SOLENOID ACTUATED VALVES G 1/4 - 5 PORT

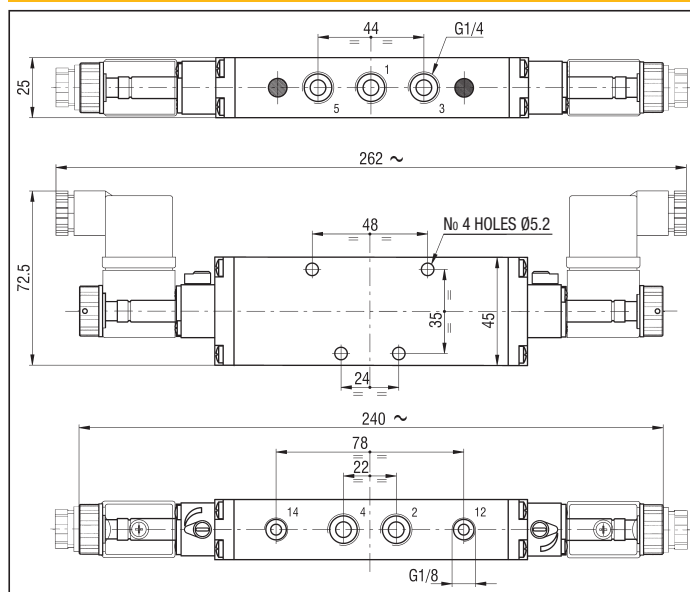
Symbol	Function	Controls		Response time at 6 bar (ms)		Flow rate at 6 bar $\Delta P = 1 \text{ bar (Nl/min)}$	Weight (g)	TYPE*
		Pilot	Return	Energized	De-energized			
	5/2 monostable	Solenoid	Mechanical spring	32	65	900	430	EKCA4 KUC/ZR
		Solenoid	Pneumatic spring	32	65	900	415	EKCA4 KUC/TQ
		Solenoid pilot assisted	Mechanical spring	32	65	900	430	EKCA4 KUR/ZR
	5/2 bistable	Solenoid	Solenoid	21	21	900	475	EKCA4 KUC/KUC
		Solenoid pilot assisted	Solenoid pilot assisted	21	21	900	475	EKCA4 KUR/KUR
	5/3 closed centre	Solenoid	Mechanical spring	25	50	510	490	EKCA4 SUC/SUC
		Solenoid pilot assisted	Mechanical spring	25	50	510	490	EKCA4 SUR/SUR
	5/3 closed centre	Solenoid	Mechanical spring	25	50	850	485	EKCA4 AUC/AUC
		Solenoid pilot assisted	Mechanical spring	25	50	850	485	EKCA4 AUR/AUR
	5/3 pressure centre	Solenoid	Mechanical spring	25	50	690	490	EKCA4 PUC/PUC
		Solenoid pilot assisted	Mechanical spring	25	50	690	490	EKCA4 PUR/PUR

P.S.: SUBSTITUTE THE LETTER "U" WITH THE LETTER "L" IN EACH SOLENOID CONTROL TYPE TO ORDER THE SOLENOID ACTUATED VALVES WITH SOLENOID AT 90° RESPECT THE BODY OF THE VALVE.
 E.G.: **EKCA4 KUC/TQ** BECOMES **EKCA4 KLC/TQ** (SEE ON PAGE 2.74 FOR THE MISSING DIMENSIONS) - USE THE KIT/P/ENK TO CHANGE THE PNEUMATIC FUNCTION FROM 5/2 TO 3/2 (SEE ON PAGE 2.65).
 *THE TYPES OF THE SOLENOID VALVES DO NOT INCLUDE COILS
 /EX Consistent with the ATEX directive (Ex) II 2GD c T5 T100°C -20°C ≤ Ta ≤ 60°C E.G.: **EKCA4 KUC/ZR/EX**

5 PORT MONOSTABLE



5 PORT AND 3 POSITIONS BISTABLE



series EK

G 1/4 - 5 PORT

SOLENOID ACTUATED VALVES "NAMUR" PORT PATTERN G 1/4 - 5 PORT

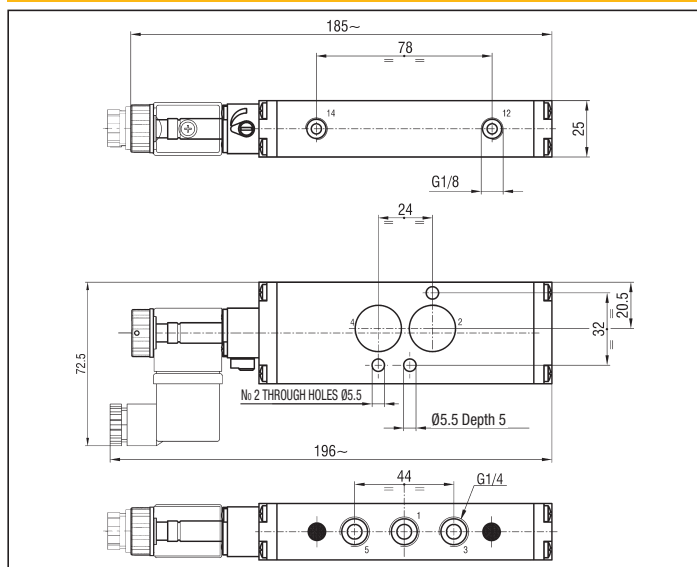
Symbol	Function	Controls		Response time at 6 bar (ms)		Flow rate at 6 bar ΔP = 1 bar (NI/min)	Weight (g)	TYPE*
		Pilot	Return	Energized	De-energized			
	5/2 monostable	Solenoid	Mechanical spring	32	65	900	440	ENCA4 KUC/ZR
		Solenoid	Pneumatic spring	32	65	900	425	ENCA4 KUC/TQ
		Solenoid pilot assisted	Mechanical spring	32	65	900	440	ENCA4 KUR/ZR
	5/2 bistable	Solenoid	Solenoid	21	21	900	485	ENCA4 KUC/KUC
		Solenoid pilot assisted	Solenoid pilot assisted	21	21	900	485	ENCA4 KUR/KUR
	5/3 closed centre	Solenoid	Mechanical spring	25	50	510	500	ENCA4 SUC/SUC
		Solenoid pilot assisted	Mechanical spring	25	50	510	500	ENCA4 SUR/SUR
	5/3 open centre	Solenoid	Mechanical spring	25	50	850	495	ENCA4 AUC/AUC
		Solenoid pilot assisted	Mechanical spring	25	50	850	495	ENCA4 AUR/AUR
	5/3 pressure centre	Solenoid	Mechanical spring	25	50	690	500	ENCA4 PUC/PUC
		Solenoid pilot assisted	Mechanical spring	25	50	690	500	ENCA4 PUR/PUR

PS.: SUBSTITUTE THE LETTER "U" WITH THE LETTER "L" IN EACH SOLENOID CONTROL TYPE TO ORDER THE SOLENOID ACTUATED VALVES WITH SOLENOID AT 90° RESPECT THE BODY OF THE VALVE. E.G.: ENCA4 KUC/TQ BECOMES ENCA4 KLC/TQ (SEE ON PAGE 2.74 FOR THE MISSING DIMENSIONS) *THE TYPES OF THE SOLENOID VALVES DO NOT INCLUDE COILS

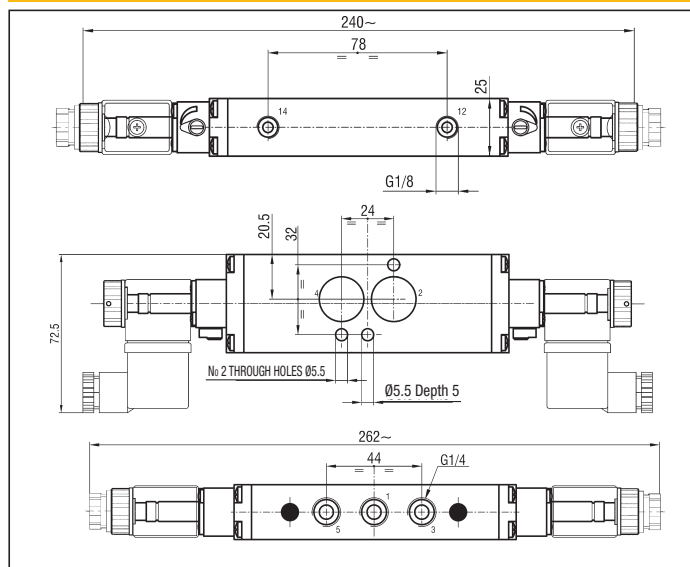
/EX Consistent with the ATEX directive II 2GD c T5 T100°C -20°C ≤ Ta ≤ 60°C ES.: ENCA4 KUC/ZR/EX

THE VALVES ARE SUPPLIED WITH O-RING

"NAMUR" PORT PATTERN - 5 PORT MONOSTABLE



"NAMUR" PORT PATTERN - 5 PORT AND 3 POSITIONS BISTABLE

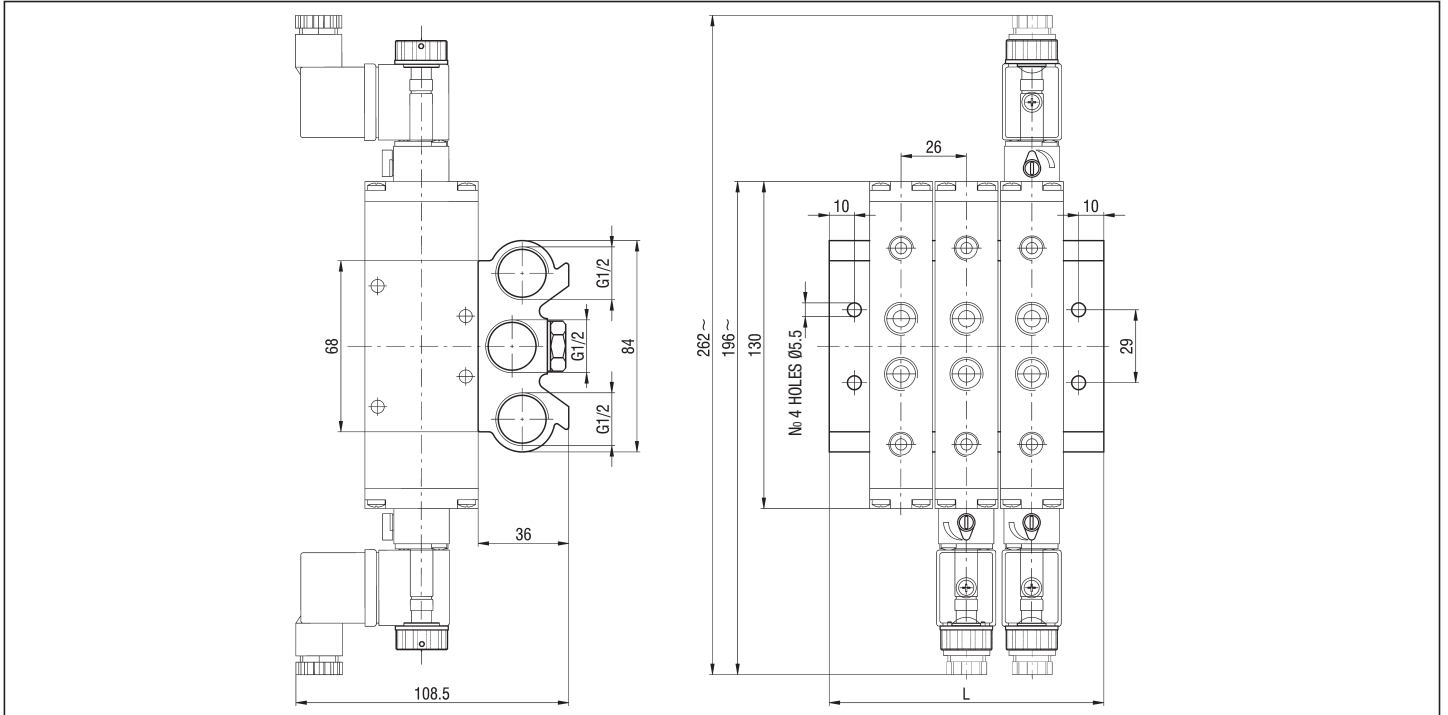


Accessories
Bases G 1/4

series **EK**

2

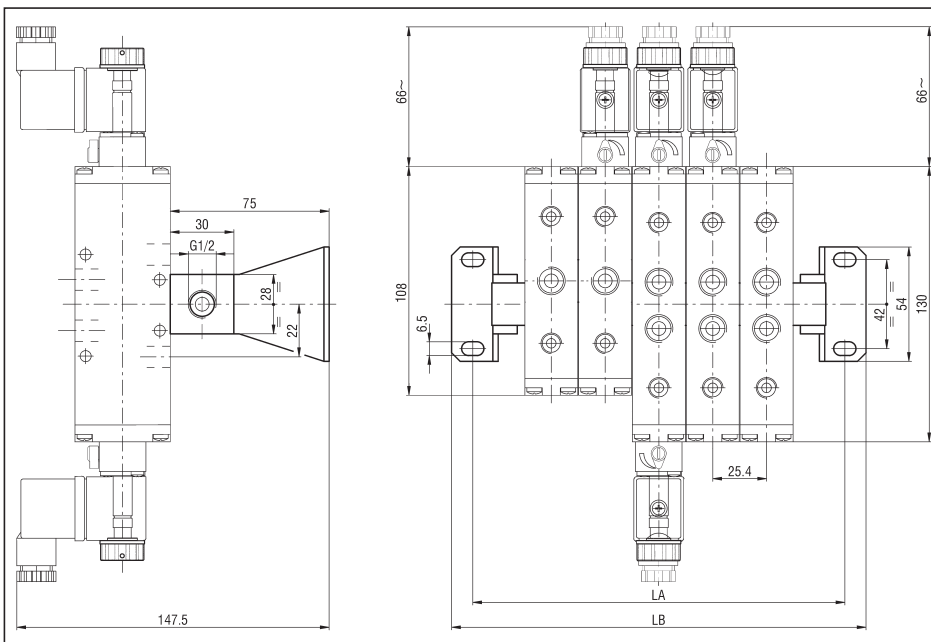
BASE FOR MANIFOLD MOUNTING OF VALVES G 1/4 - KB/EK4



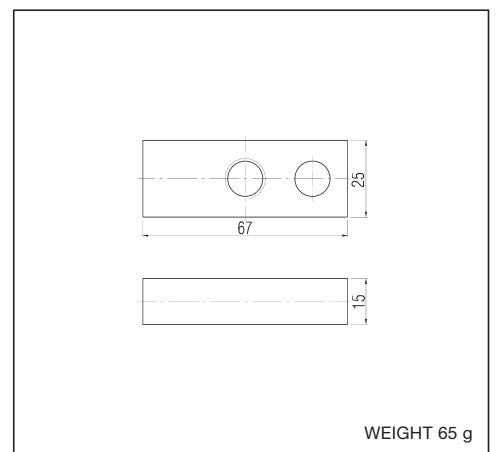
No of stations	2	3	4	5	6	8	10	12	14	16	18	20
L	83	109	135	161	187	239	291	343	395	447	499	551
Weight (g)	460	590	720	850	980	1240	1500	1760	2020	2280	2540	2800
TYPE*	KB/EK4/2	KB/EK4/3	KB/EK4/4	KB/EK4/5	KB/EK4/6	KB/EK4/8	KB/EK4/10	KB/EK4/12	KB/EK4/14	KB/EK4/16	KB/EK4/18	KB/EK4/20

*BASES ARE SUPPLIED COMPLETE WITH NOTCH SCREWS AND SEALS

SUPPLY RAIL FOR MANIFOLD MOUNTING OF VALVES G 1/4 - CEK4



BLANKING PLATE - KIT/PC/EK4



No of stations	2	3	5
LA	99	125	176
LB	119	145	196
Weight (g)	310	390	550
TYPE*	CEK4/2	CEK4/3	CEK4/5

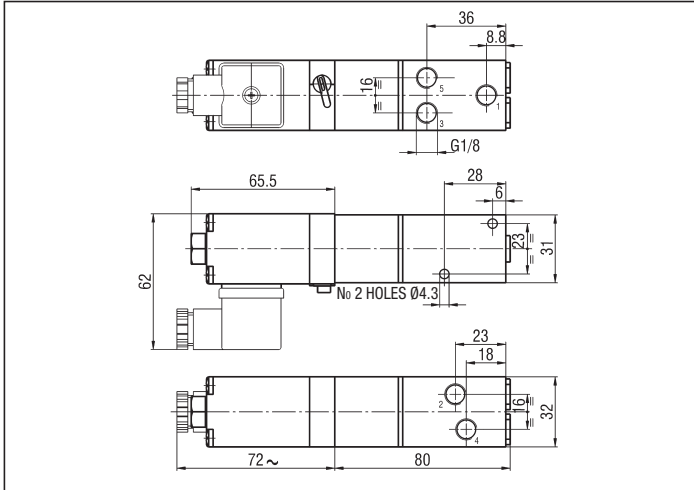
* SUPPLY RAILS ARE SUPPLIED COMPLETE WITH NOTCH SCREWS, SEALS AND FIXING BRACKETS
P.S.: CAN BE MOUNTED ONLY SILENCERS SERIES **SS-02** (SEE THE HIDDEN SILENCERS ON PAGE 5.52)

Accessories
Bases G 1/8

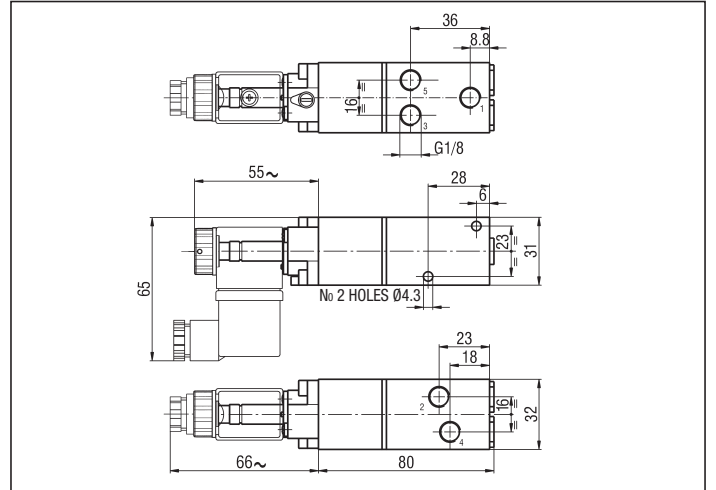
series **UK**

2

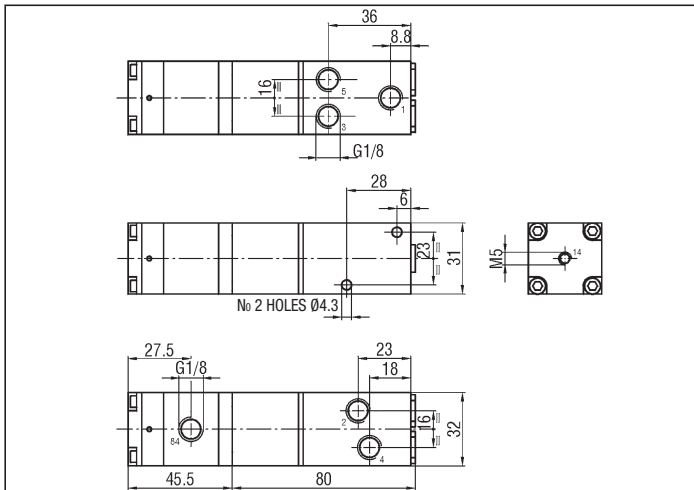
5 PORT WITH ULCSV/R



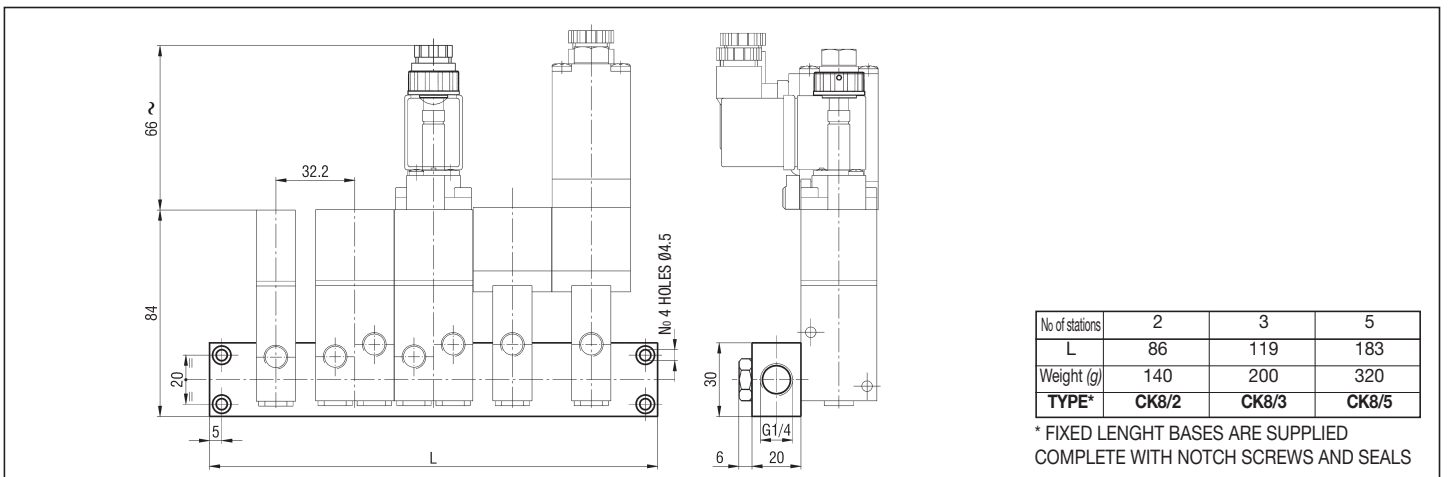
5 PORT WITH C/USCSVG



5 PORT WITH XVF4



FIXED LENGTH BASE FOR MANIFOLD MOUNTING OF VALVES G 1/8 - CK8



No of stations	2	3	5
L	86	119	183
Weight (g)	140	200	320
TYPE*	CK8/2	CK8/3	CK8/5

* FIXED LENGTH BASES ARE SUPPLIED COMPLETE WITH NOTCH SCREWS AND SEALS

series UK

G 1/4 - 2, 3 and 5 PORT

PILOT ACTUATED VALVES G 1/4 - 2, 3 and 5 PORT

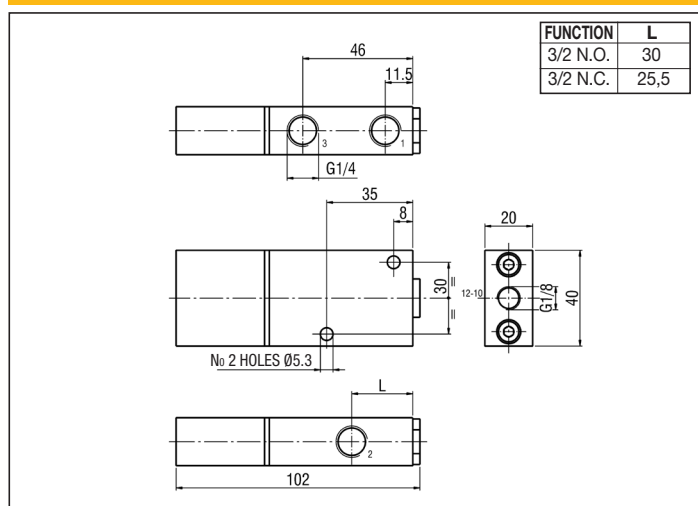
Symbol	Function	Controls		Response time at 6 bar (ms)		Flow rate at 6 bar ΔP = 1 bar (NI/min)	Weight (g)	TYPE*
		Pilot	Return	Energized	De-energized			
	3/2 N.O. monostable	Small pneumatic	Mechanical spring	20	30	950	225	UKA 4/16
	3/2 N.C. monostable	Small pneumatic	Mechanical spring	20	30	1100	225	UKC 4/16
		Servo fed small pneumatic	Mechanical spring	16	30	1100	225	UKC 4/16/SA
	3/2 N.O. monostable	Big pneumatic	Mechanical spring	20	30	950	280	UKA 4/32
	3/2 N.C. monostable	Big pneumatic	Mechanical spring	20	30	1100	280	UKC 4/32
		Servo fed big pneumatic	Mechanical spring	20	28	1100	280	UKC 4/32/SA
	5/2 monostable	Pneumatic	Mechanical spring	24	45	1000	415	UKCA 4
		Servo fed pneumatic	Mechanical spring	24	45	1000	415	UKCA 4/SA

*/EX Consistent with the ATEX directive (Ex) II 2GD c T5 T100°C -20°C ≤ Ta ≤ 60°C E.G.: UKCA4/EX

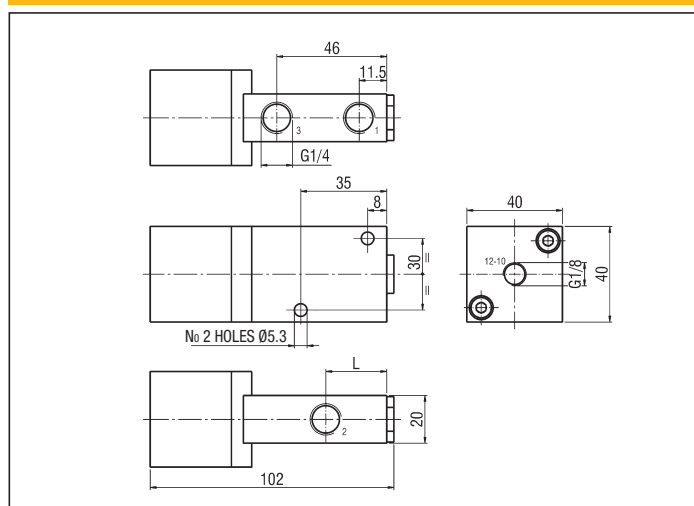
PS.: ADD AT THE TYPE OF THE VALVES 3/2 THE LETTER "H" BETWEEN THE LETTERS "K" AND "A" (OR "C") TO ORDER 2/2 N.O. (OR 2/2 N.C.) VALVES.

E.G.: UKHA 4/16; UKHC 4/32

3 PORT SMALL PNEUMATIC



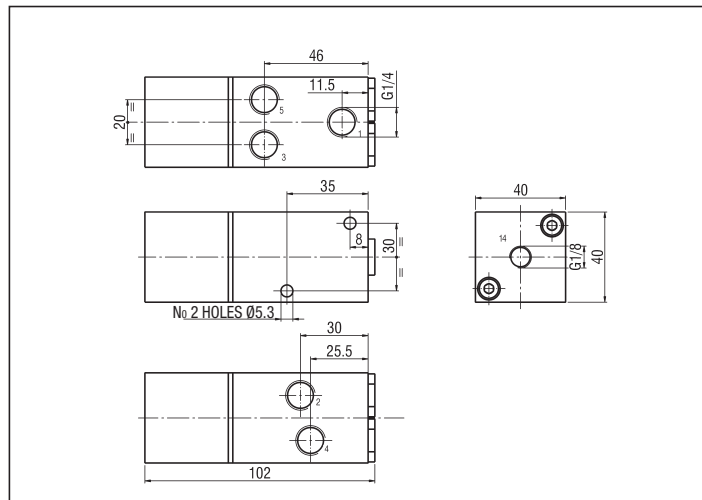
3 PORT BIG PNEUMATIC



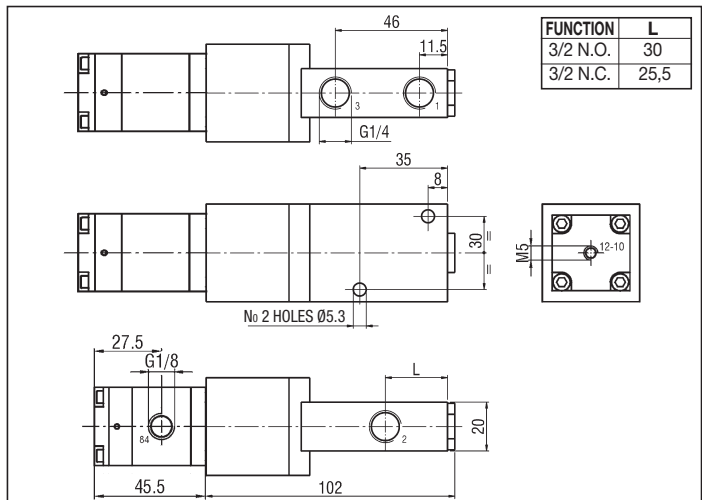
G 1/4 - 2, 3 and 5 PORT

series **UK**

5 PORT



3 PORT WITH XVF4



2

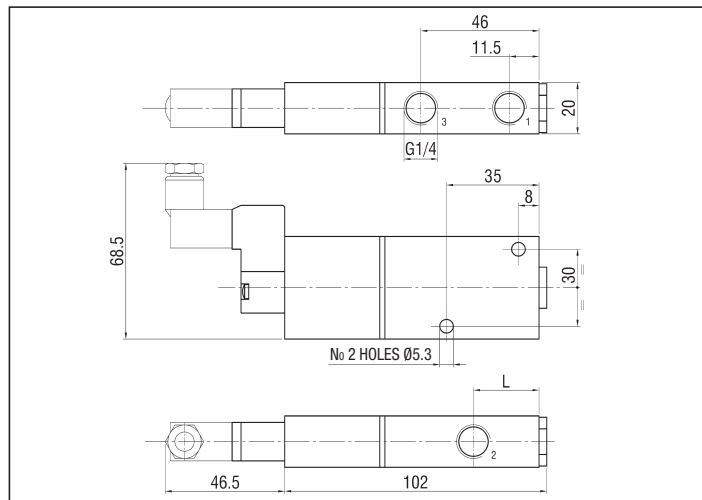
SOLENOID ACTUATED VALVES G 1/4 - 2, 3 and 5 PORT

Symbol	Function	Controls		Response time at 6 bar (ms)		Flow rate at 6 bar ΔP = 1 bar (l/min)	Weight (g)	TYPE*
		Pilot	Return	Energized	De-energized			
	3/2 N.O. monostable	Small solenoid	Mechanical spring	10	28	950	225	UKA 4/16/U**
	3/2 N.C. monostable	Small solenoid	Mechanical spring	10	28	1100	230	UKC 4/16/U**
	3/2 N.O. monostable	Big solenoid	Mechanical spring	20	30	950	280	UKA 4/32/U***
	3/2 N.C. monostable	Big solenoid	Mechanical spring	20	30	1100	280	UKC 4/32/U***
	5/2 monostable	Solenoid	Mechanical spring	24	45	1000	415	UKCA 4/U***

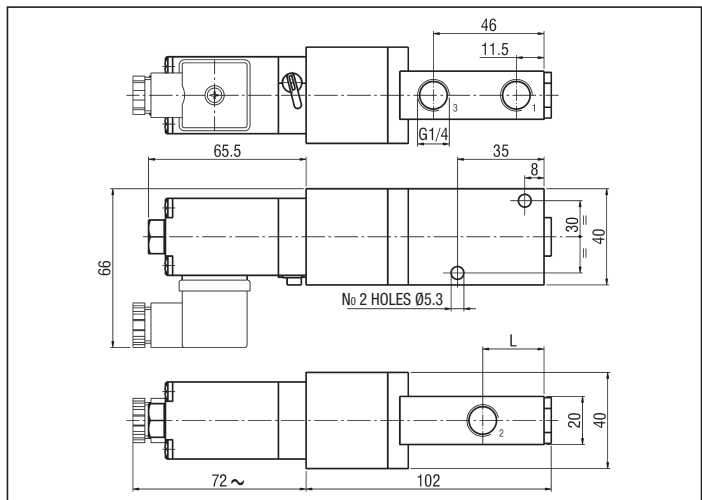
* /EX Consistent with the ATEX directive II 2GD c T5 T100°C -20°C ≤ Ta ≤ 60°C ES.: UKCA4/U/EX /EX Consistent with the ATEX directive II 3G c Ex nA IIC T5 Gc -5°C ≤ Ta ≤ 50°C ES.: UKA4/16/U2400/EX II 3D c Ex tc IIIC T100°C IP65 Dc

** TYPES OF THESE SOLENOID VALVES INCLUDE THE PILOTING SOLENOID VALVES "UMCSV" - SEE ON PAGE 2.5 (SPECIFY THE VOLTAGE IN THE ORDER)
 *** TYPES OF THESE SOLENOID VALVES DO NOT INCLUDE THE PILOTING SOLENOID VALVES (SEE ON PAGE 2.9 FOR "ULCSV/R" AND ON PAGE 2.16 FOR "C/UCSVG") WHEREAS USING AS PILOT THE VALVE "XVF4" THE RESULT IS A LOW PRESSURE PILOT ACTUATED VALVE (FOR "XVF4" - SEE ON PAGE 3.37)
 P.S.: ADD AT THE TYPE OF THE VALVES 3/2 THE LETTER "H" BETWEEN THE LETTERS "K" AND "A" (OR "C") TO ORDER 2/2 N.O. (OR 2/2 N.C.) VALVES. E.G.: UKHA 4/16/U; UKHC 4/32/U

3 PORT SMALL SOLENOID



3 PORT BIG SOLENOID WITH ULCSV/R

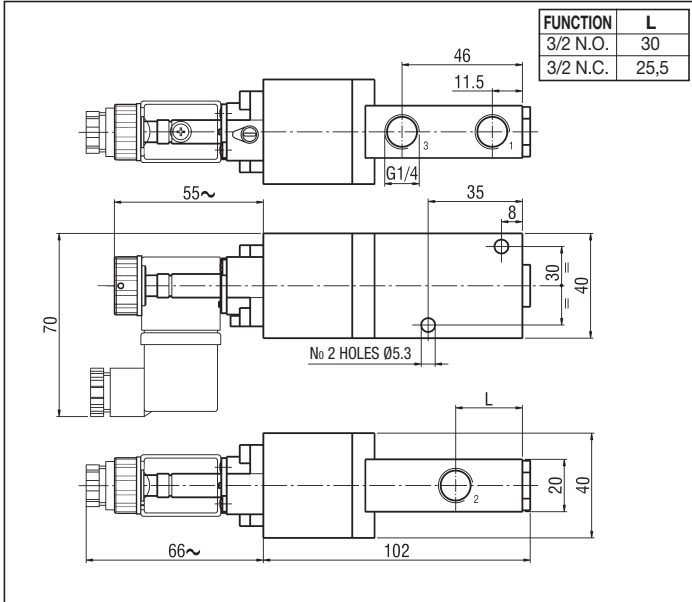


series UK

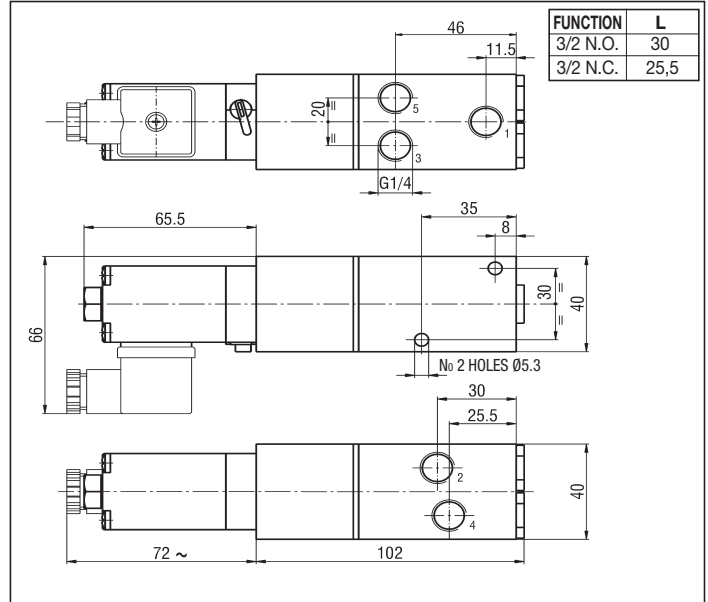
G 1/4 - 2, 3 and 5 PORT - Bases

2

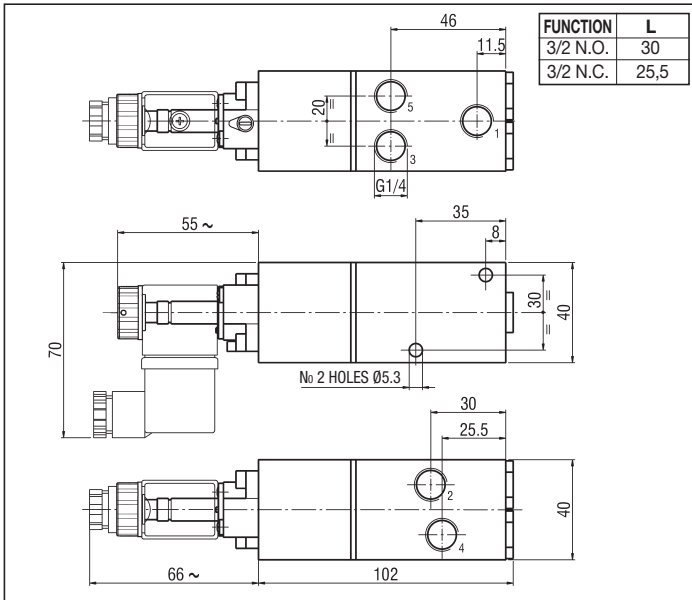
3 PORT BIG SOLENOID WITH C/USCSVG



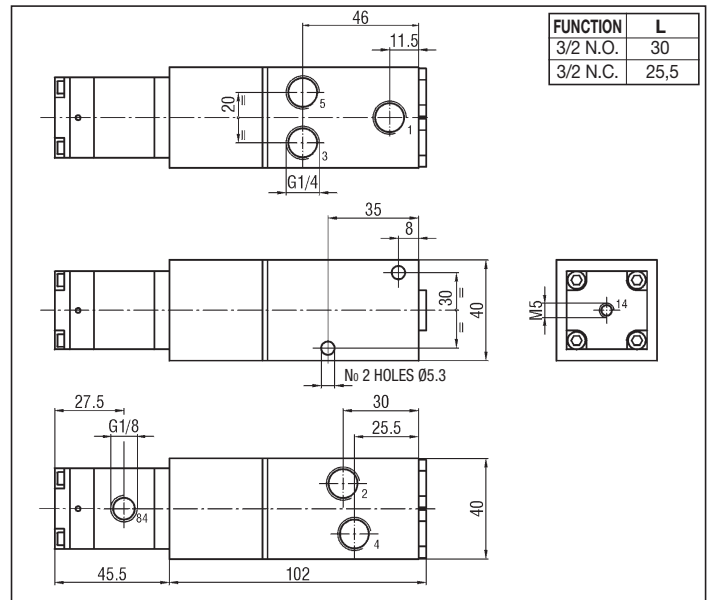
5 PORT WITH ULCSV/R



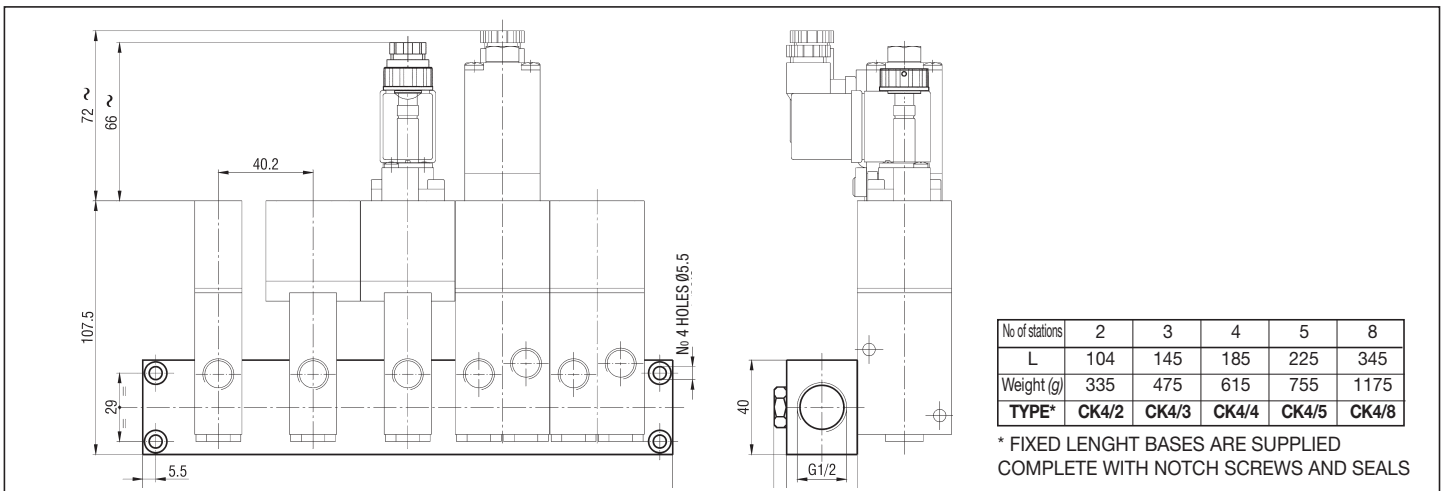
5 PORT WITH C/USCSVG



5 PORT WITH XVF4



FIXED LENGHT BASE FOR MANIFOLD MOUNTING OF VALVES G 1/4 - CK4



G 1/2 - 2, 3 and 5 PORT

series **UK**

2

PILOT ACTUATED VALVES G 1/2 - 2, 3 and 5 PORT

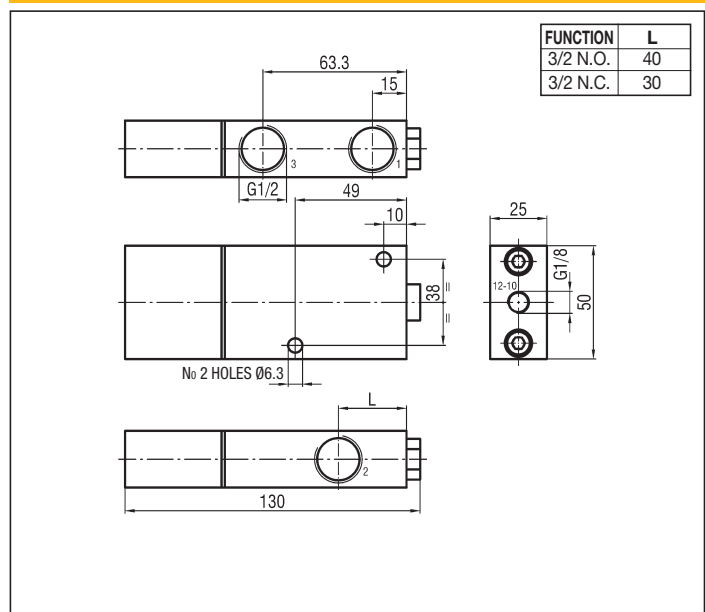
Symbol	Function	Controls		Response time at 6 bar (ms)		Flow rate at 6 bar $\Delta P = 1$ bar (NI/min)	Weight (g)	TYPE*
		Pilot	Return	Energized	De-energized			
	3/2 N.O. monostable	Small pneumatic	Mechanical spring	24	32	1900	420	UKA 2/20
	3/2 N.C. monostable	Small pneumatic	Mechanical spring	24	32	2100	420	UKC 2/20
		Servo fed small pneumatic	Mechanical spring	25	32	2100	520	UKC 2/20/SA
	3/2 N.O. monostable	Big pneumatic	Mechanical spring	24	32	1900	520	UKA 2/40
	3/2 N.C. monostable	Big pneumatic	Mechanical spring	24	32	2100	520	UKC 2/40
		Servo fed big pneumatic	Mechanical spring	20	30	2100	520	UKC 2/40/SA
	5/2 monostable	Pneumatic	Mechanical spring	24	40	2000	800	UKCA 2
		Servo fed pneumatic	Mechanical spring	24	40	2000	800	UKCA 2/SA

*/EX Consistent with the ATEX directive Ex II 2GD c T5 T100°C -20°C ≤ Ta ≤ 60°C E.G.: UKCA2/EX

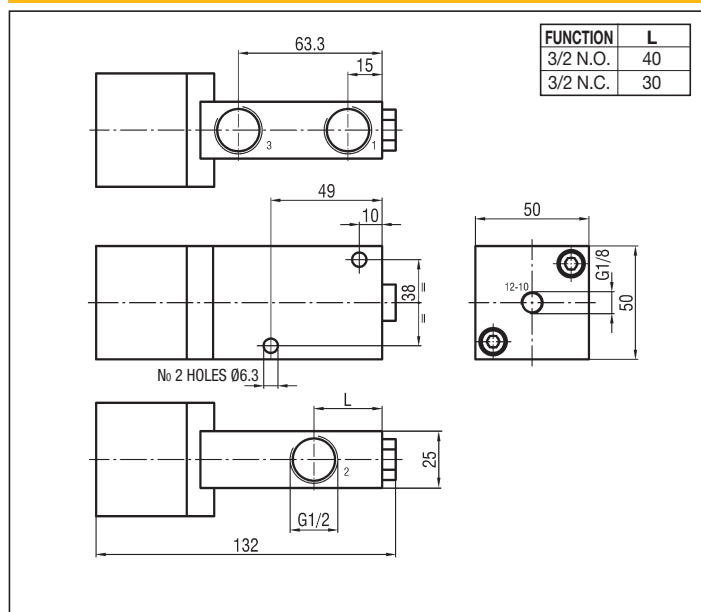
PS.: ADD AT THE TYPE OF THE VALVES 3/2 THE LETTER "H" BETWEEN THE LETTERS "K" AND "A" (OR "C") TO ORDER 2/2 N.O. (OR 2/2 N.C.) VALVES.

E.G.: UKHA 2/20; UKHC 2/20

3 PORT SMALL PNEUMATIC



3 PORT BIG PNEUMATIC

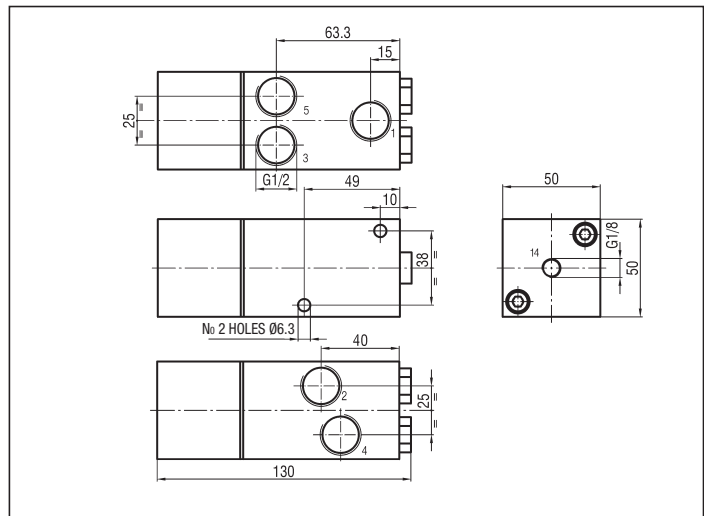


series UK

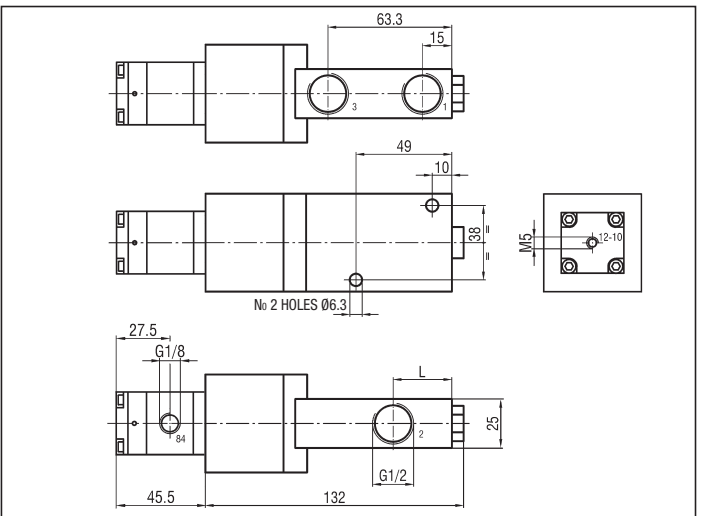
G 1/2 - 2, 3 and 5 PORT

2

5 PORT



3 PORT WITH XVF4



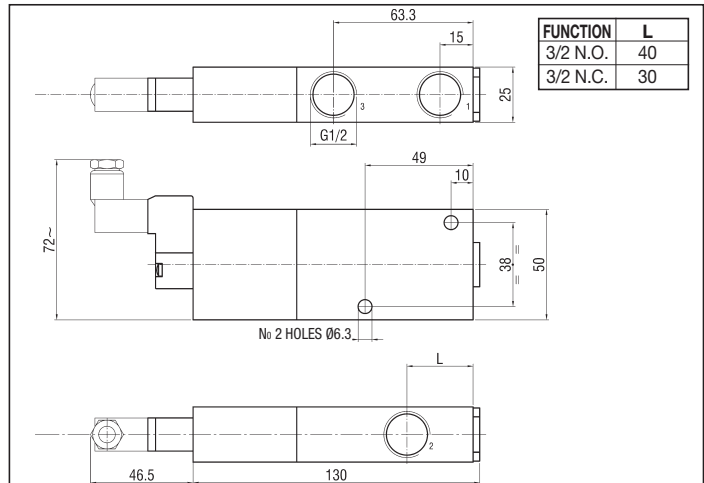
SOLENOID ACTUATED VALVES G 1/2 - 2, 3 and 5 PORT

Symbol	Function	Controls		Response time at 6 bar (ms)		Flow rate at 6 bar ΔP = 1 bar (Nl/min)	Weight (g)	TYPE*
		Pilot	Return	Energized	De-energized			
	3/2 N.O. monostable	Small solenoid	Mechanical spring	24	32	1900	430	UKA 2/20/U**
	3/2 N.C. monostable	Small solenoid	Mechanical spring	24	32	2100	440	UKC 2/20/U**
	3/2 N.O. monostable	Big solenoid	Mechanical spring	24	32	1900	530	UKA 2/40/U***
	3/2 N.C. monostable	Big solenoid	Mechanical spring	24	32	2100	540	UKC 2/40/U***
	5/2 monostable	Solenoid	Mechanical spring	24	32	2000	810	UKCA 2/U***

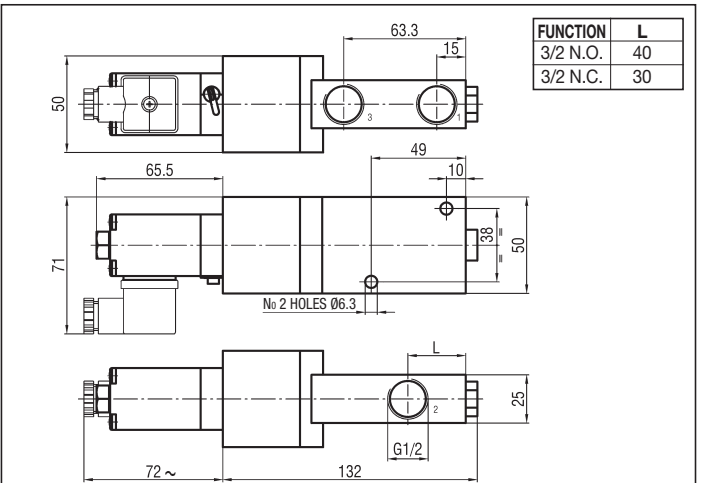
*EX Consistent with the ATEX directive II 2GD c T5 T100°C -20°C ≤ Ta ≤ 60°C ES.: UKCA2/U/EX *EX Consistent with the ATEX directive II 3G c Ex nA IIC T5 Gc -5°C ≤ Ta ≤ 50°C E.G.: UKA2/20/U2400/EX II 3D c Ex tc IIC T100°C IP65 Dc

** TYPES OF THESE SOLENOID VALVES INCLUDE THE PILOTING SOLENOID VALVES "UMCSV" - SEE ON PAGE 2.5 (SPECIFY THE VOLTAGE IN THE ORDER)
 *** TYPES OF THESE SOLENOID VALVES DO NOT INCLUDE THE PILOTING SOLENOID VALVES (SEE ON PAGE 2.9 FOR "ULCSV/R" AND ON PAGE 2.13 FOR "C/USCSVG") WHEREAS USING AS PILOT THE VALVE "XVF4" THE RESULT IS A LOW PRESSURE PILOT ACTUATED VALVE (FOR "XVF4" - SEE ON PAGE 3.37)
 P.S.: ADD AT THE TYPE OF THE VALVES 3/2 THE LETTER "H" BETWEEN THE LETTERS "K" AND "A" (OR "C") TO ORDER 2/2 N.O. (OR 2/2 N.C.) VALVES. E.G.: UKHA 2/20; UKHC 2/20

3 PORT SMALL SOLENOID WITH UMCSV



3 PORT BIG SOLENOID WITH ULCSV/R

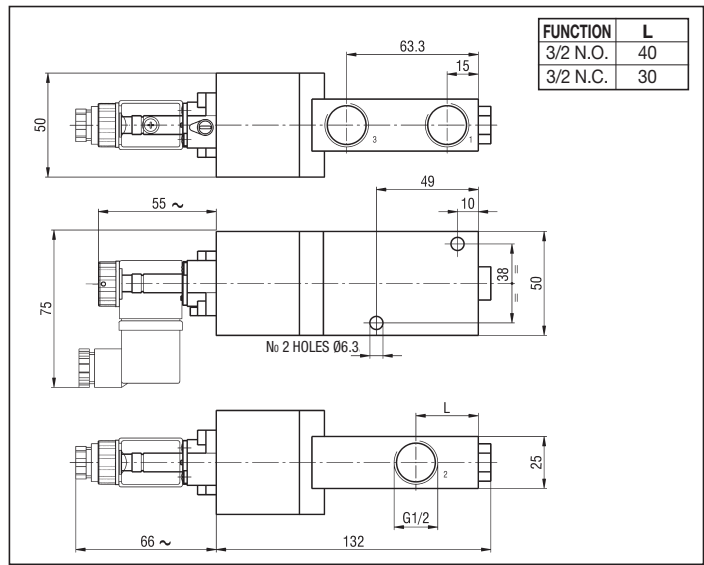


G 1/2 - 2, 3 and 5 PORT - Bases

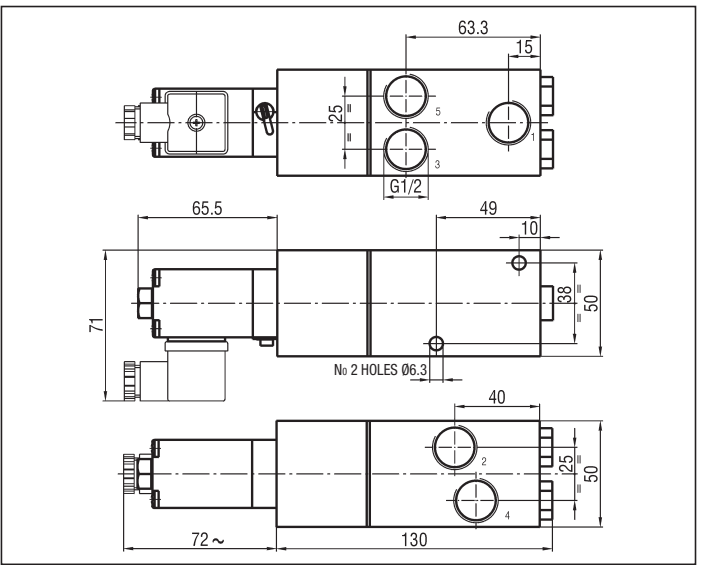
series **UK**

2

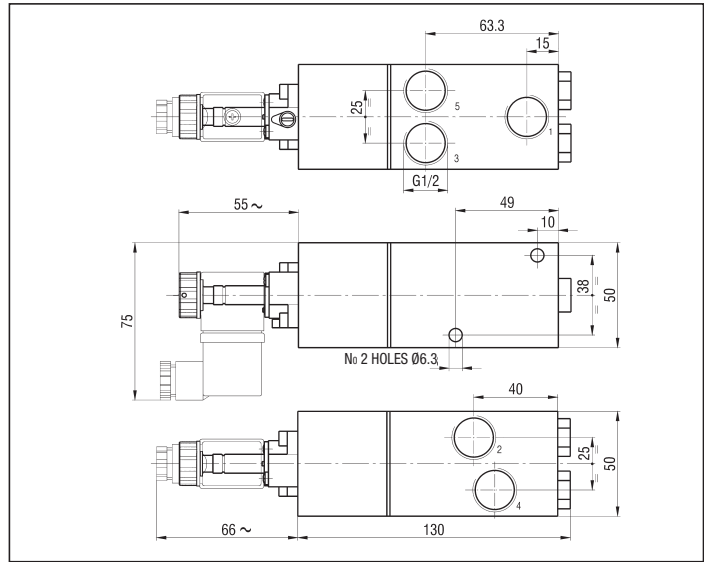
3 PORT BIG SOLENOID WITH C/USCSVG



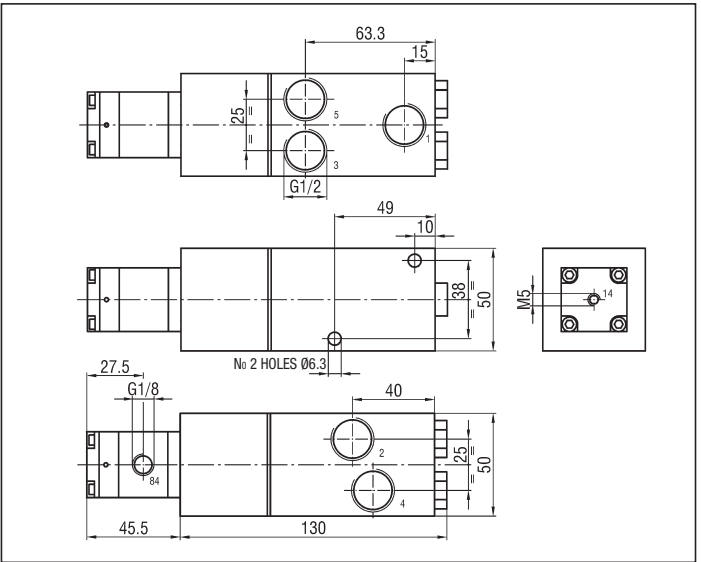
5 PORT WITH ULCSV/R



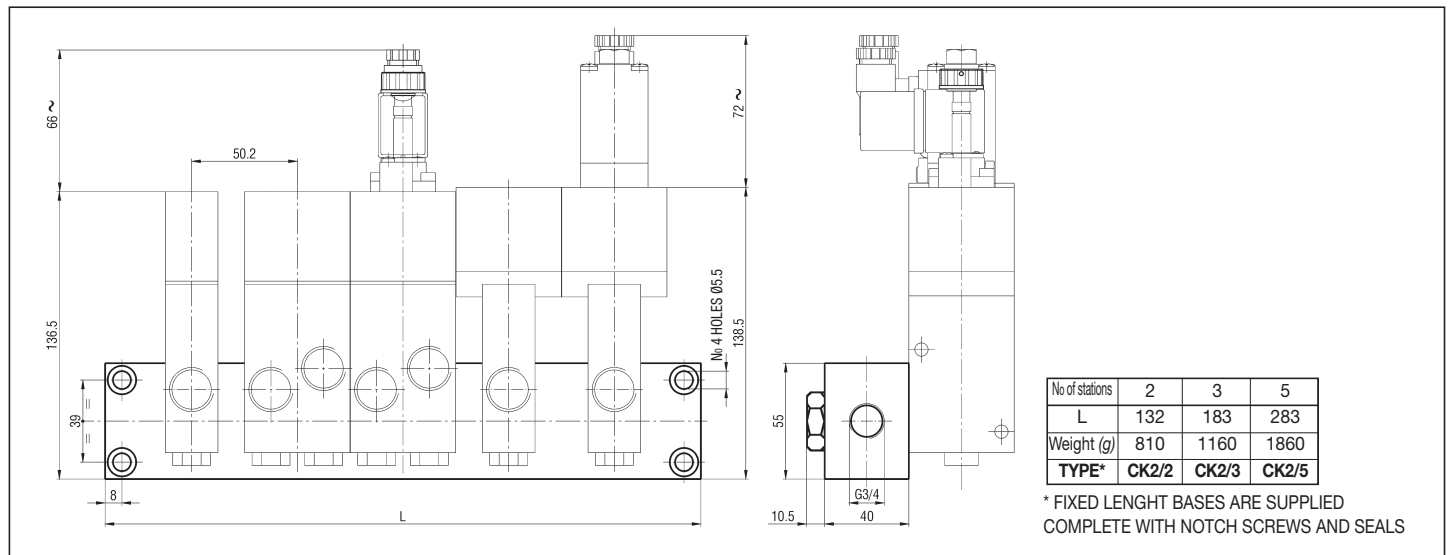
5 PORT WITH C/USCSVG



5 PORT WITH XVF4



FIXED LENGTH BASE FOR MANIFOLD MOUNTING OF VALVES G 1/2 - CK2



series UK

G 1 - 2, 3 and 5 PORT

PILOT ACTUATED VALVES G 1 - 2, 3 and 5 PORT

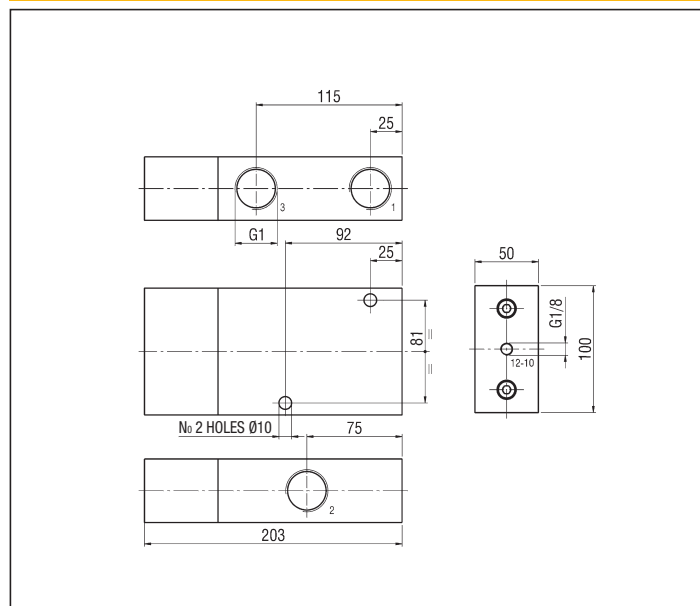
Symbol	Function	Controls		Response time at 6 bar (ms)		Flow rate at 6 bar $\Delta P = 1 \text{ bar (Nl/min)}$	Weight (g)	TYPE*
		Pilot	Return	Energized	De-energized			
	3/2 N.O. monostable	Small pneumatic	Mechanical spring	40	65	11300	2550	UKA 1
	3/2 N.C. monostable	Small pneumatic	Mechanical spring	40	65	7800	2550	UKC 1
	5/2 monostable	Pneumatic	Mechanical spring	40	70	8050	5160	UKCA 1

*/EX Consistent with the ATEX directive II 2GD c T5 T100°C -20°C ≤ Ta ≤ 60°C E.G.: UKCA1/EX

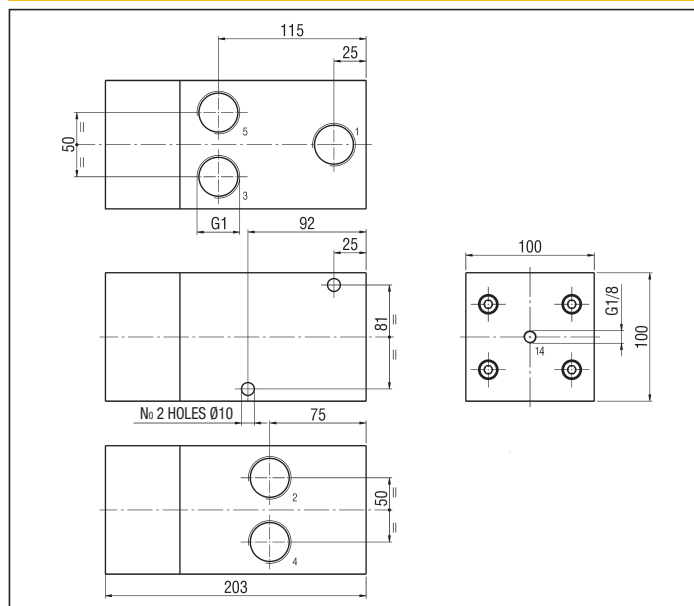
PS.: ADD AT THE TYPE OF THE VALVES 3/2 THE LETTER "H" BETWEEN THE LETTERS "K" AND "A" (OR "C") TO ORDER 2/2 N.O. (OR 2/2 N.C.) VALVES.

E.G.: UKHA 1; UKHC 1

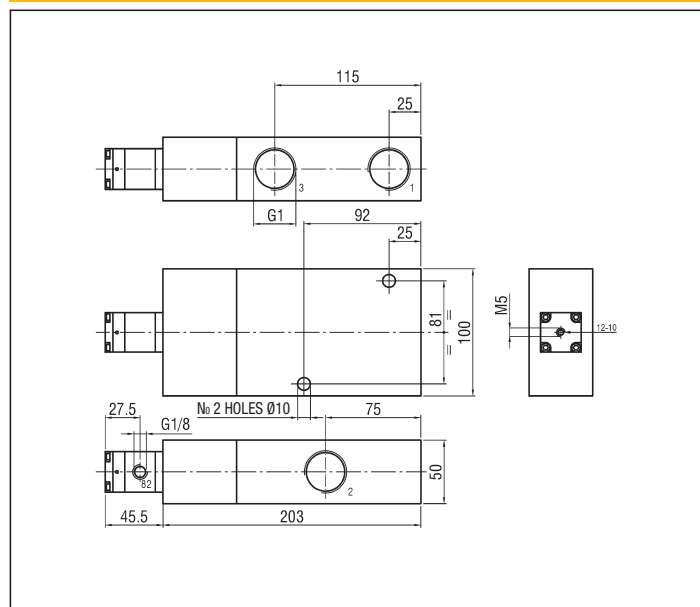
UKA 1 - UKC 1



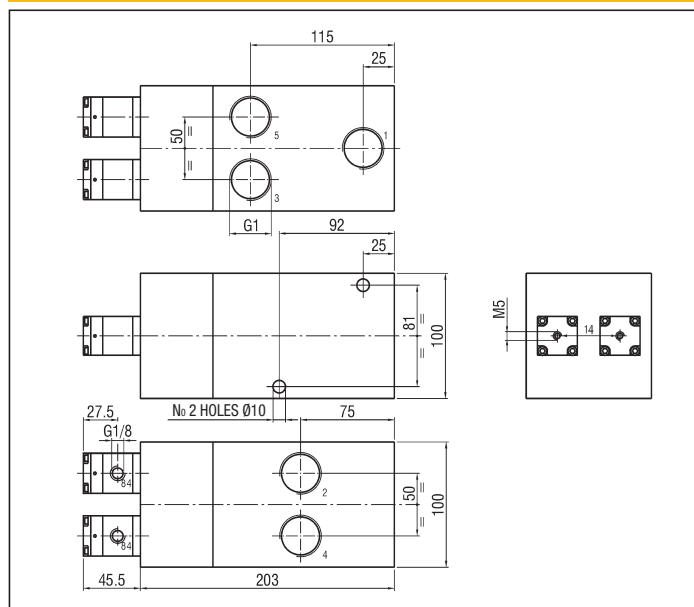
UKCA 1



3 PORT WITH XVF4



5 PORT WITH XVF4



G 1 - 2, 3 and 5 PORT

series **UK**

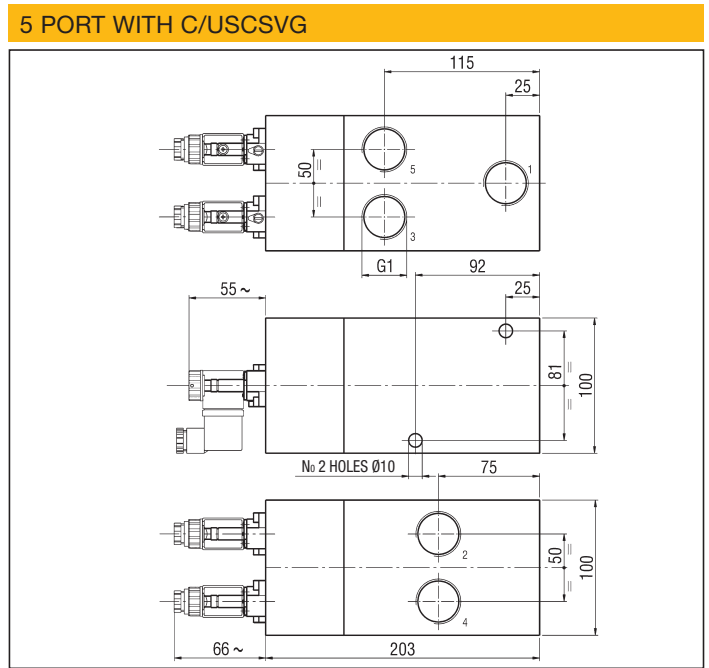
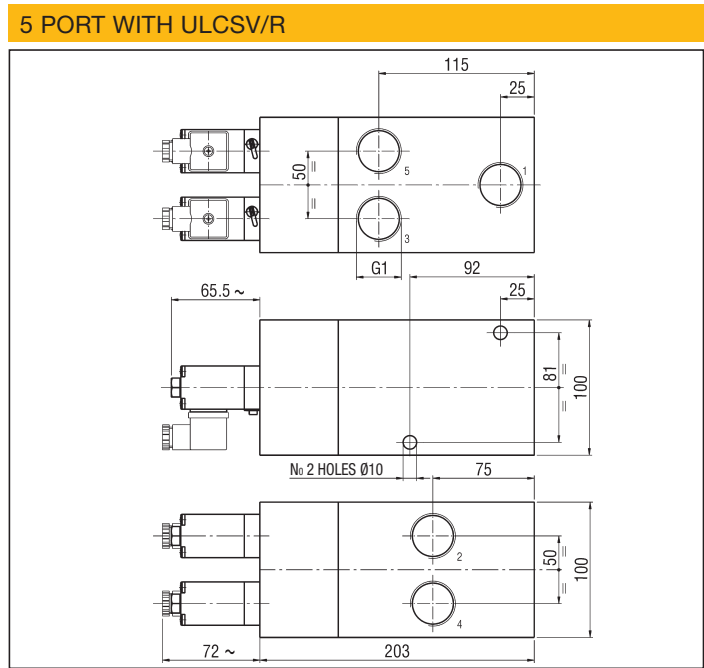
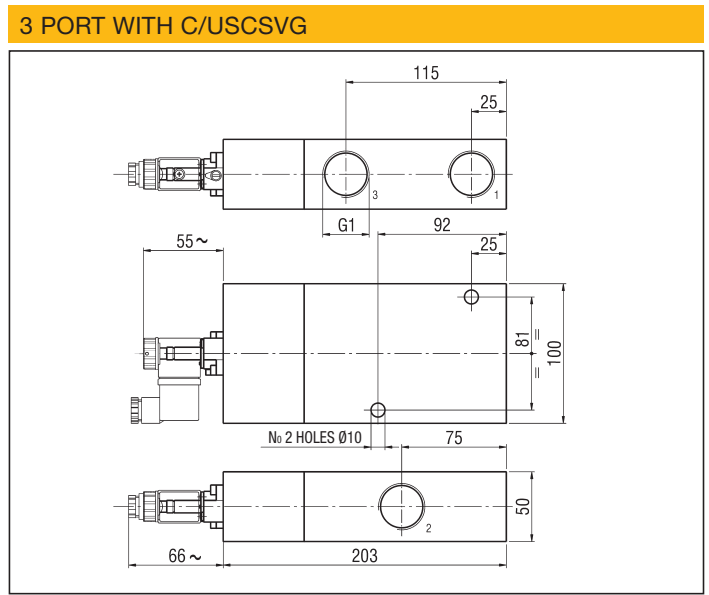
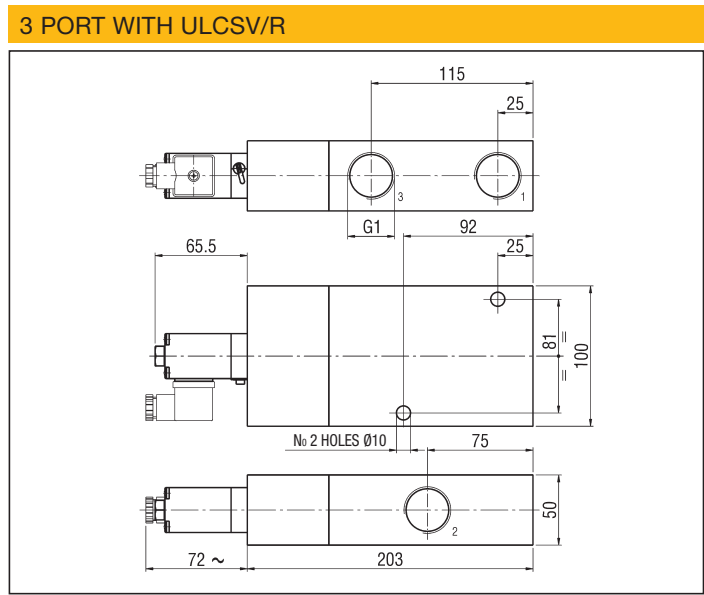
SOLENOID ACTUATED VALVES G 1 - 2, 3 and 5 PORT

Symbol	Function	Controls		Response time at 6 bar (ms)		Flow rate at 6 bar ΔP = 1 bar (Nl/min)	Weight (g)	TYPE*
		Pilot	Return	Energized	De-energized			
	3/2 N.O. monostable	Small solenoid	Mechanical spring	40	65	11300	2600	UKA 1/U**
	3/2 N.C. monostable	Small solenoid	Mechanical spring	40	65	7800	2550	UKC 1/U**
	5/2 monostable	Solenoid	Mechanical spring	40	70	8050	5100	UKCA 1/U**

2

*/EX Consistent with the ATEX directive II 2GD c T5 T100°C -20°C ≤ Ta ≤ 60°C E.G.: UKCA1/U/EX

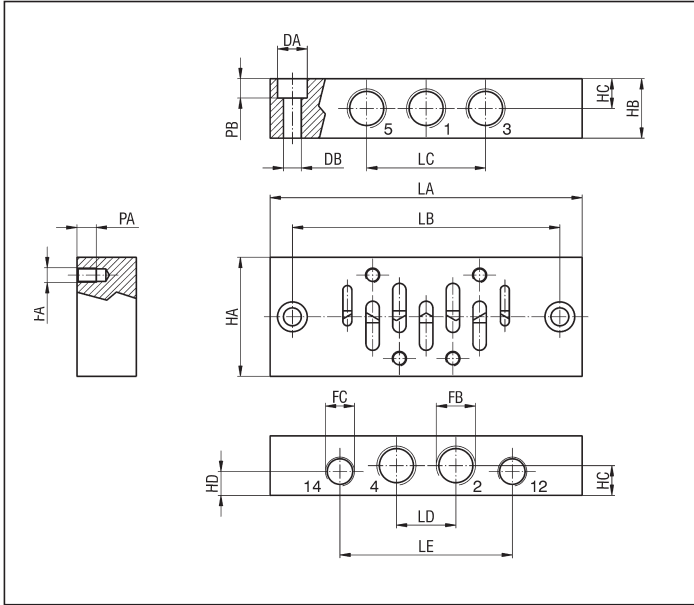
** THE TYPES OF THE SOLENOID VALVES DO NOT INCLUDE THE PILOTING SOLENOID VALVES (SEE ON PAGE 2.6 FOR "ULCSV/R" AND ON PAGE 2.16 FOR "C/USCSVG") WHEREAS USING AS PILOT THE VALVE "XVF4" THE RESULT IS A LOW PRESSURE PILOT ACTUATED VALVE (FOR "XVF4" - SEE ON PAGE 3.37) P.S.: ADD AT THE TYPE OF THE VALVES 3/2 THE LETTER "H" BETWEEN THE LETTERS "K" AND "A" (OR "C") TO ORDER 2/2 N.O. (OR 2/2 N.C.) VALVES. E.G.: UKHA 1/U; UKHC 1/U



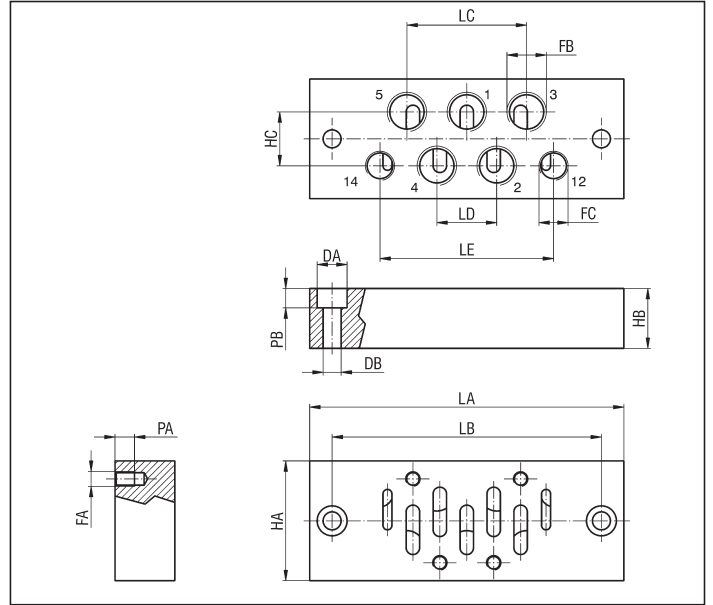
Accessories Single bases to ISO 5599/1 standard sizes 1-2-3 obtained from drawn light alloy

series UDS ISO

SINGLE BASE SIDE PORTED - UDP/ISO SIZE /S



SINGLE BASE BOTTOM PORTED - UDP/ISO SIZE /B



2

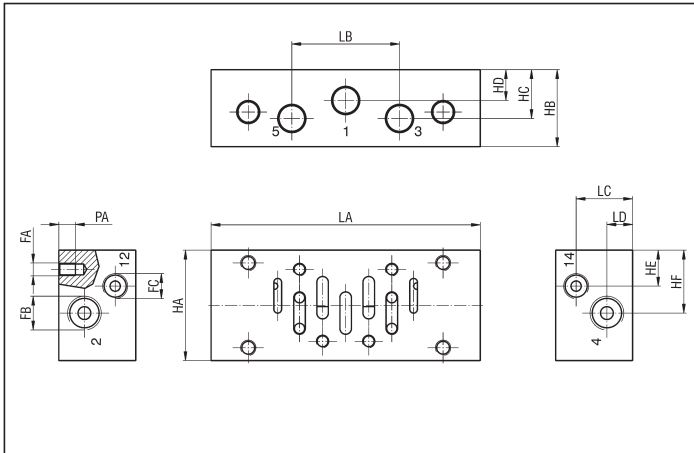
TYPE	UDP/ISO1/S8	UDP/ISO1/S4	UDP/ISO2/S4	UDP/ISO2/S3	UDP/ISO3/S2
Weight (g)	205	240	485	455	1090
SIZE	1		2		3
DA	10	10	12	12	15
DB	6	6	7	7	9
FA	M5	M5	M6	M6	M8
FB	G 1/8	G 1/4	G 1/4	G 3/8	G 1/2
FC	G 1/8	G 1/8	G 1/8	G 1/8	G 1/8
HA	40	40	55	55	70
HB	20	25	28	28	32
HC	8	14,5	13	15	16
HD	8	8	8	8	8
LA	105	105	130	130	208
LB	90	90	110	110	180
LC	36	40	48	52	64
LD	18	20	24	26	32
LE	58	58	68	70	90
PA	6,5	6,5	10	10	10
PB	6,5	6,5	8	8	11

TYPE	UDP/ISO1/B8	UDP/ISO1/B4	UDP/ISO2/B4	UDP/ISO2/B3	UDP/ISO3/B2
Weight (g)	200	190	495	470	1160
SIZE	1		2		3
DA	10	10	12	12	15
DB	6	6	7	7	9
FA	M5	M5	M6	M6	M8
FB	G 1/8	G 1/4	G 1/4	G 3/8	G 1/2
FC	G 1/8	G 1/8	G 1/8	G 1/8	G 1/8
HA	40	40	55	55	70
HB	20	20	28	28	32
HC	16	18	22	23	27
LA	105	105	130	130	208
LB	90	90	110	110	180
LC	36	40	48	52	64
LD	18	20	24	26	32
LE	58	58	68	70	90
PA	8	8	10	10	10
PB	6,5	6,5	8	8	11

series UDS ISO

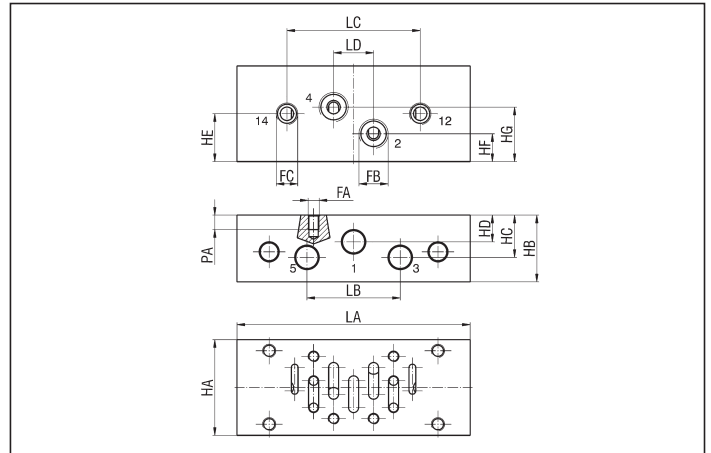
Accessories Manifold bases
to ISO 5599/1 standard sizes 1-2-3
obtained from drawn light alloy

MANIFOLD BASE SIDE PORTED - UDP/ISO SIZE /MS/Q



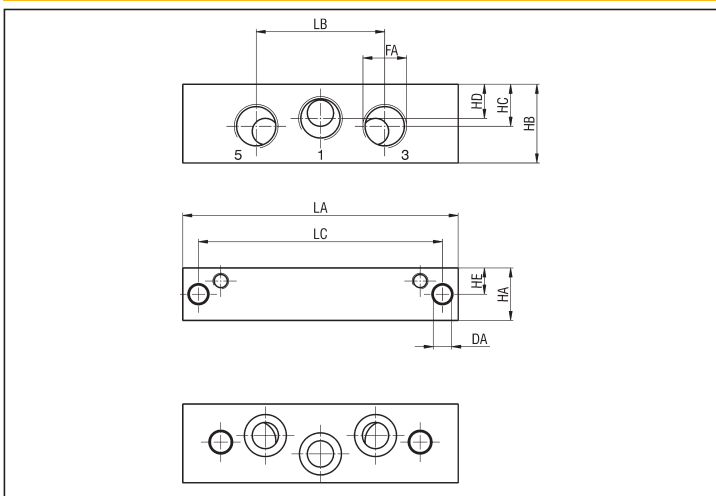
TYPE	UDP/ISO1/8MS/Q	UDP/ISO1/4MS/Q	UDP/ISO2/3MS/Q
Weight (g)	320	310	660
SIZE	1		2
FA	M5	M5	M6
FB	G 1/8	G 1/4	G 3/8
FC	G 1/8	G 1/8	G 1/8
HA	43	43	55
HB	30	30	40
HC	19	19	24
HD	12	12	17
HE	14	14	17,5
HF	24,5	24,5	30
LA	105	105	130
LB	42	42	54
LC	22	22	30
LD	10	10	12,5
PA	6,5	6,5	8

MANIFOLD BASE BOTTOM PORTED - UDP/ISO SIZE M/Q

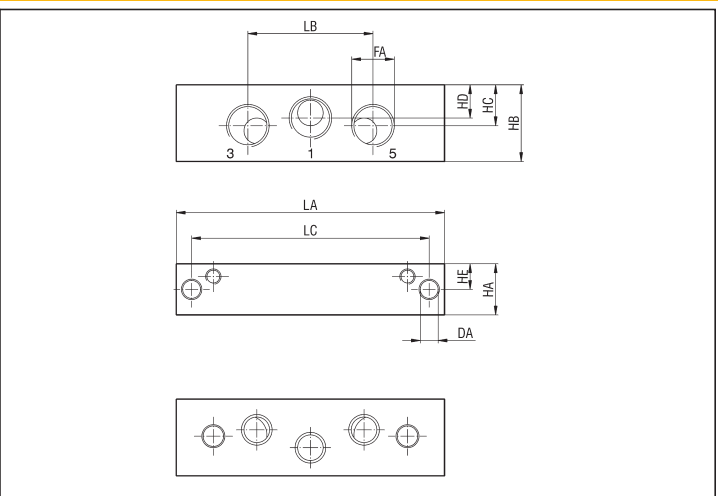


TYPE	UDP/ISO1/4M/Q	UDP/ISO2/3M/Q	UDP/ISO3/2M/Q
Weight (g)	315	665	1640
SIZE	1	2	3
FA	M5	M6	M8
FB	G 1/4	G 3/8	G 1/2
FC	G 1/8	G 1/8	G 1/8
HA	43	55	70
HB	30	40	50
HC	19	24	27
HD	12	17	27
HE	21,5	27,5	35
HF	12,5	16,5	23,5
HG	24,5	32,5	42,5
LA	105	130	208
LB	42	54	88
LC	60	74	125
LD	18	24	42
PA	6,5	8	10

INPUT PLATES (PAIR) - UDP/ISO SIZE /...M/L



TYPE	UDP/ISO1/3M/L	UDP/ISO2/2M/L	UDP/ISO3/1M/L
Weight (g)	280	460	2355
SIZE	1	2	3
DA	7	7	9
FA	G 3/8	G 1/2	G 1
HA	20	20	50
HB	30	40	50
HC	16	22	25
HD	13	15	25
HE	10	10	25
LA	105	130	208
LB	49	59	94
LC	93	118	180

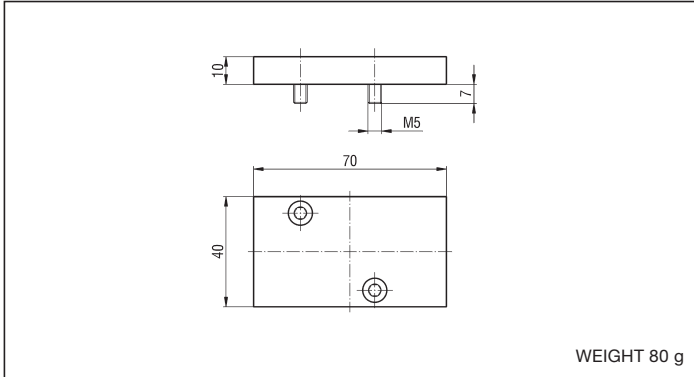


Accessories Manifold bases
to ISO 5599/1 standard sizes 1-2-3
obtained from drawn light alloy

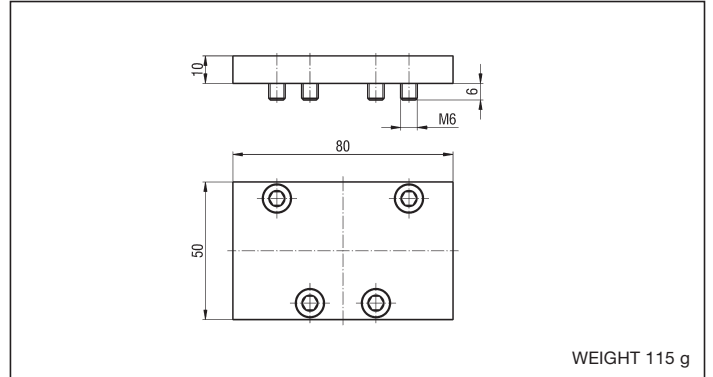
series UDS ISO

2

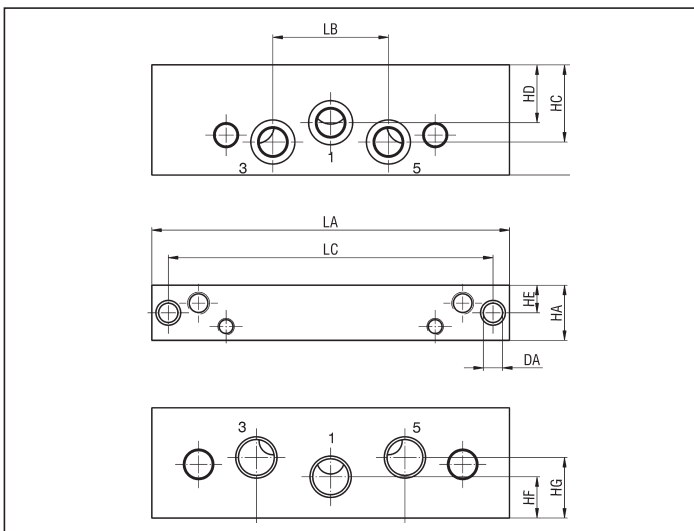
BLANKING PLATE ISO 1 - UDP/ISO1/PC



BLANKING PLATE ISO 2 - UDP/ISO2/PC



SIZE ADAPTER ISO 1-2 AND ISO 2-3 - UDP/ISO SIZE



TYPE	UDP/ISO1-2	UDP/ISO2-3
Weight (g)	245	1305
SIZE	1-2	2-3
DA	7	9
HA	20	50
HB	40	50
HC	28	32
HD	21	35
HE	10	25
HF	15	25
HG	22	25
LA	130	208
LB	42	54
LC	118	180
LD	54	88

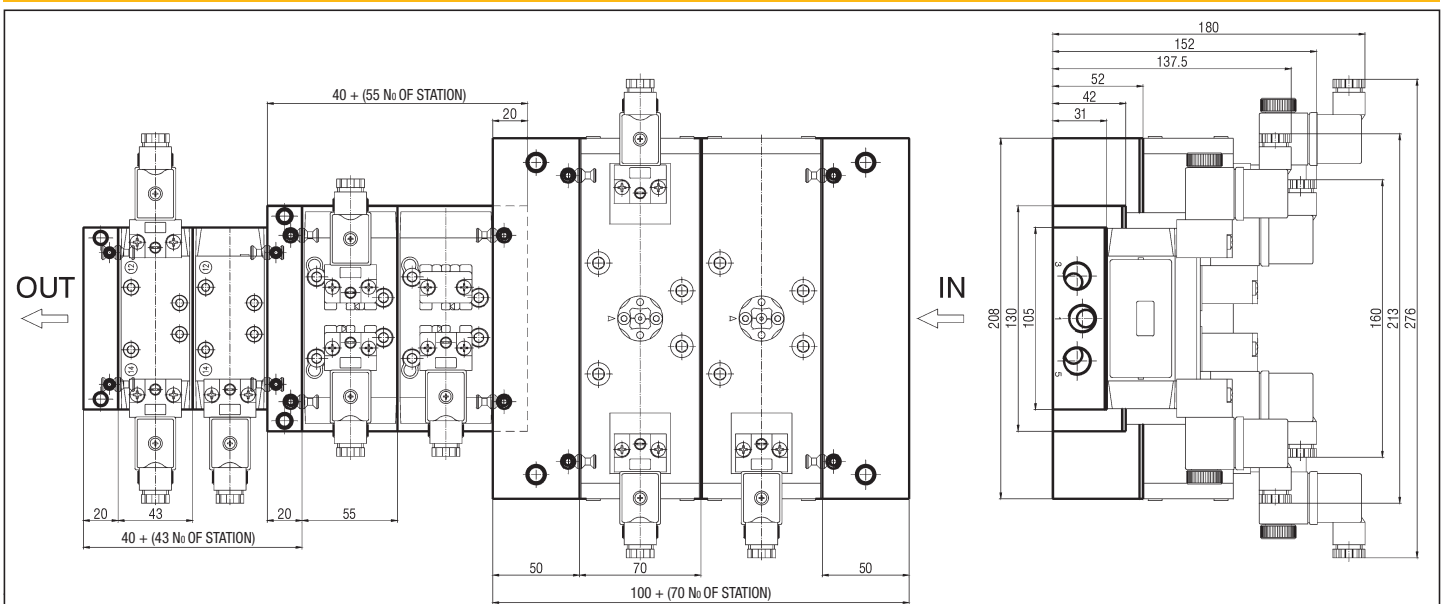
KIT ASSEMBLY BASES

Kit assembly bases SIZE 1	KIT/UDP/ISO 1
Kit assembly bases SIZE 2	KIT/UDP/ISO 2
Kit assembly bases SIZE 3	KIT/UDP/ISO 3

DIAPHRAGM - UDP/ISO SIZE /T

TYPE	UDP/ISO1/T	UDP/ISO2/T	UDP/ISO3/T
SIZE	1	2	3

EXAMPLE OF ASSEMBLY

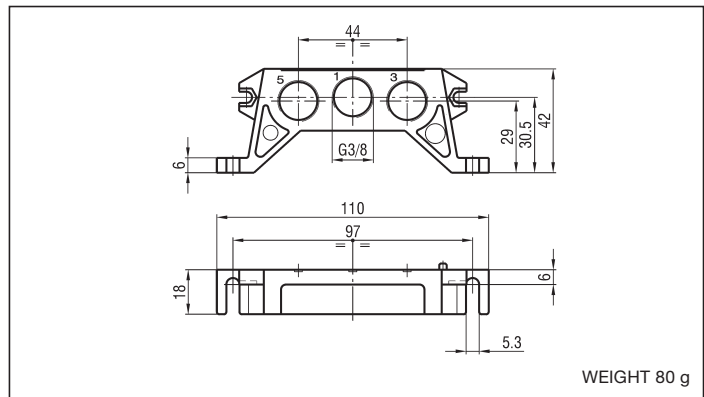


series UDS ISO

Accessories Manifold bases
to ISO 5599/1 standard size 1
obtained from die-cast light alloy

2

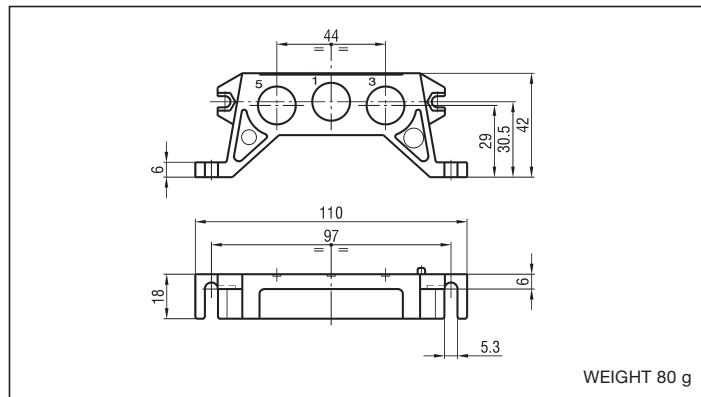
INPUT PLATE - UDP/ISO2PE



WEIGHT 80 g

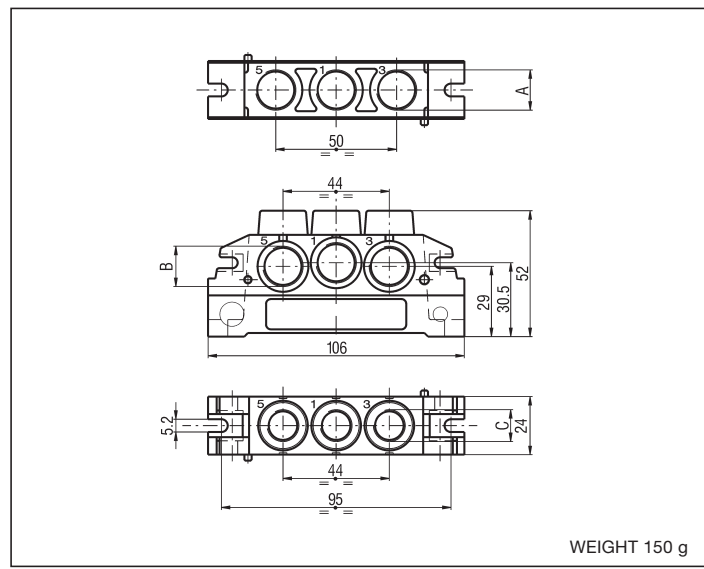
INPUT PLATE IS SUPPLIED COMPLETE WITH SCREWS AND SEALS

BLIND TERMINAL PLATE - UDP/ISO2PT



WEIGHT 80 g

UNIVERSAL PLATE

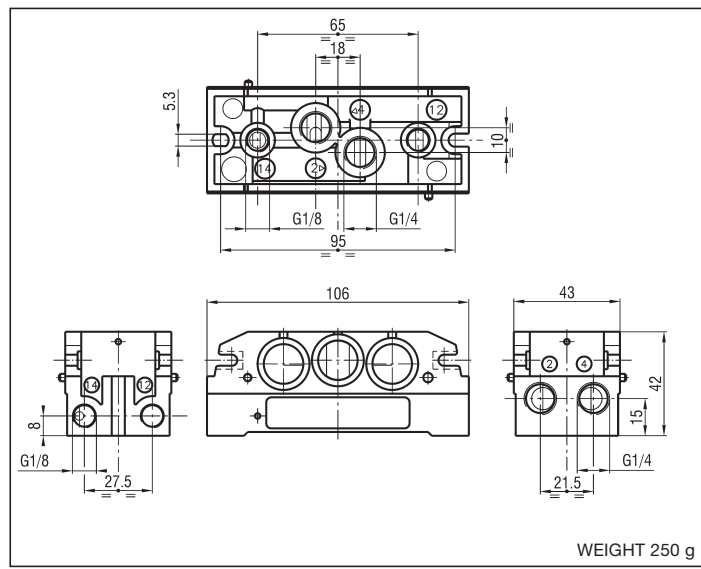


WEIGHT 150 g

DESCRIPTION	A	B	C	TYPE
Intermediate plate, bottom ported	G 3/8	-	-	UDP/ISO1PUI
Intermediate plate, side ported	-	G 3/8	-	UDP/ISO1PUL
Intermediate plate, top ported	-	-	G 1/4	UDP/ISO1PUS
Intermediate plate with blind holes	G 3/8	G 3/8	G 1/4	UDP/ISO1PU

PLATES ARE SUPPLIED COMPLETE WITH SCREWS AND SEALS

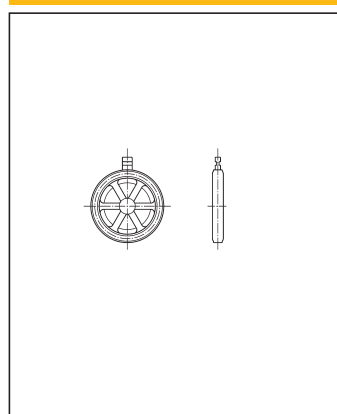
MANIFOLD BASE, SIDE AND BOTTOM PORTED - UDP/ISO2BM



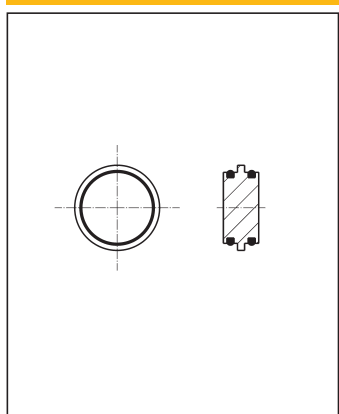
WEIGHT 250 g

MANIFOLD BASE IS SUPPLIED COMPLETE WITH SCREWS, SEALS AND PLUGS (USE A FLUID SEAL)

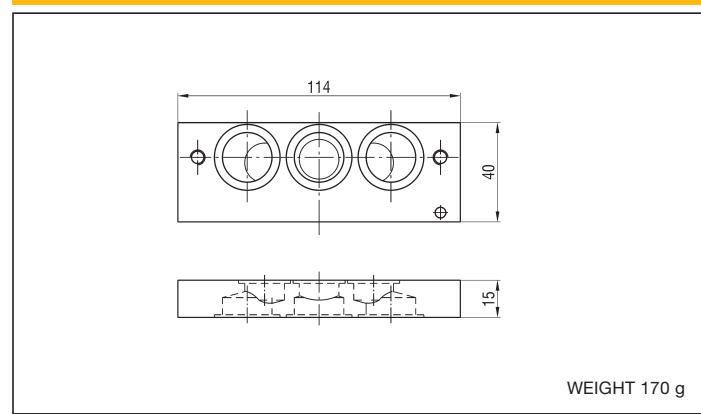
DIAPHRAGM - UDP/ISO1D



DIAPHRAGM - UDP/ISO2D



SIZE ADAPTER ISO 1-2 - UDP/ISODT1-2



WEIGHT 170 g

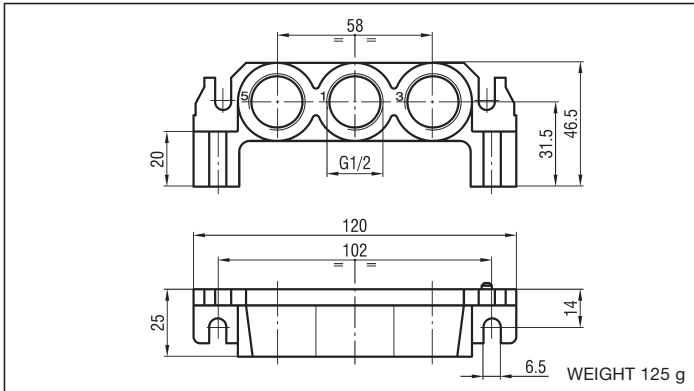
SIZE ADAPTER IS SUPPLIED COMPLETE WITH SCREWS AND SEALS

Accessories Manifold bases
to ISO 5599/1 standard size 2
obtained from die-cast light alloy

series UDS ISO

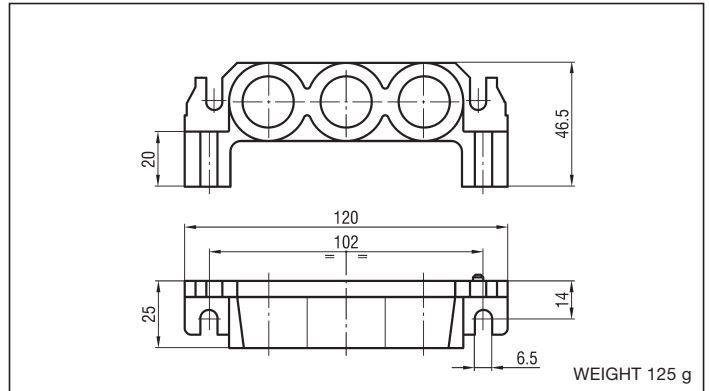
2

INPUT PLATE - UDP/ISO2PE

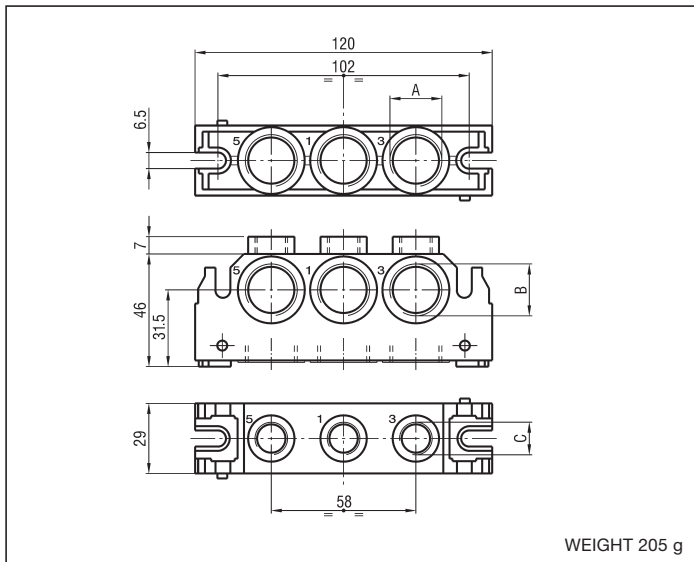


INPUT PLATE IS SUPPLIED COMPLETE WITH SCREWS AND SEALS

BLIND TERMINAL PLATE - UDP/ISO2PT



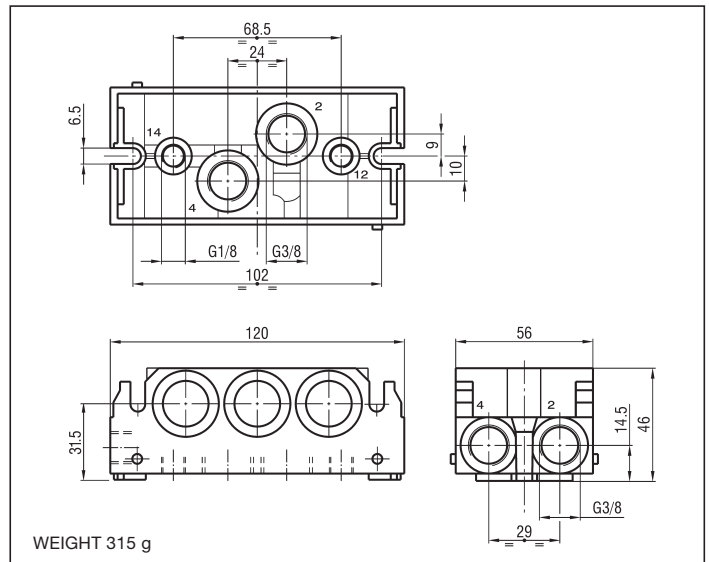
UNIVERSAL PLATE



DESCRIPTION	A	B	C	TYPE
Intermediate plate, bottom ported	G 1/2	-	-	UDP/ISO2PUI
Intermediate plate, side ported	-	G 1/2	-	UDP/ISO2PUL
Intermediate plate, top ported	-	-	G 1/4	UDP/ISO2PUS
Intermediate plate with blind holes	G 1/2	G 1/2	G 1/4	UDP/ISO2PU

PLATES ARE SUPPLIED COMPLETE WITH SCREWS AND SEALS

MANIFOLD BASE, SIDE AND BOTTOM PORTED - UDP/ISO2BM



MANIFOLD BASE IS SUPPLIED COMPLETE WITH SCREWS, SEALS AND PLUGS (WITH THE HEAD OF THE SCREW PLAIN WITH THE BASE AND USE A FLUID SEAL)

EXAMPLE OF ASSEMBLY

