

# series VM

## Vacuum generators G 1/8 ÷ G 1

### DESCRIPTION

Valves series "VM" generate vacuum using the Venturi effect. These valves found a specific employment in the aspiration from single work points with a suction cap.



2

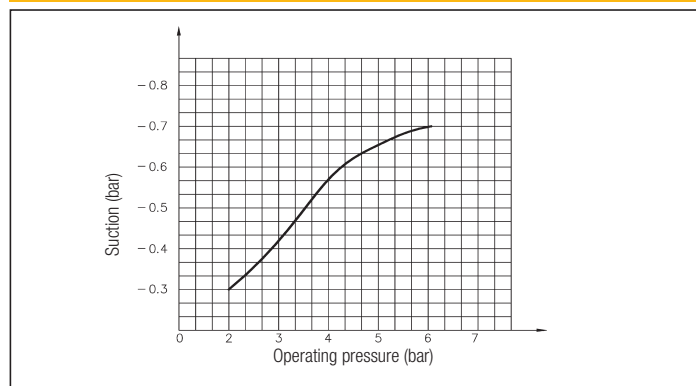
### TECHNICAL DATA

|                        |   |
|------------------------|---|
| Operating pressure     | 1 ÷ 10 bar                                  |
| Fluid                  | Vacuum                                      |
| Feeding fluid          | Compressed air                              |
| Port size              | G 1/8 - G 1/4 - G 3/8 - G 1/2 - G 3/4 - G 1 |
| Nominal diameter       | 1,5 mm                                      |
| Max. vacuum capability | - 0.7 bar                                   |

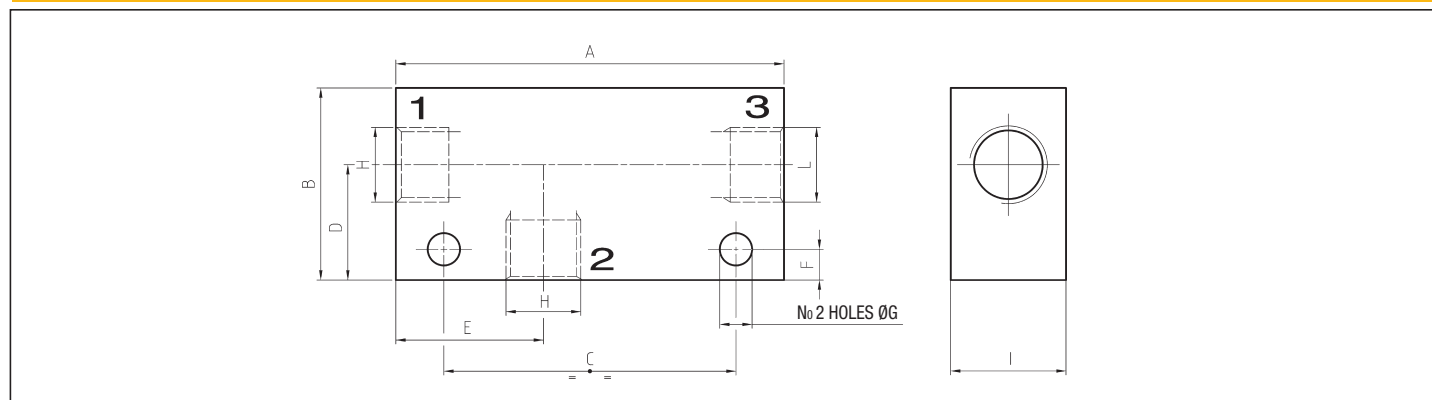
### MATERIALS

|        |                          |
|--------|--------------------------|
| Body   | Anodized aluminium alloy |
| Nozzle | Brass                    |
| Seals  | NBR rubber               |

### SUCTION CHART



### DIMENSIONS AND WEIGHT VM



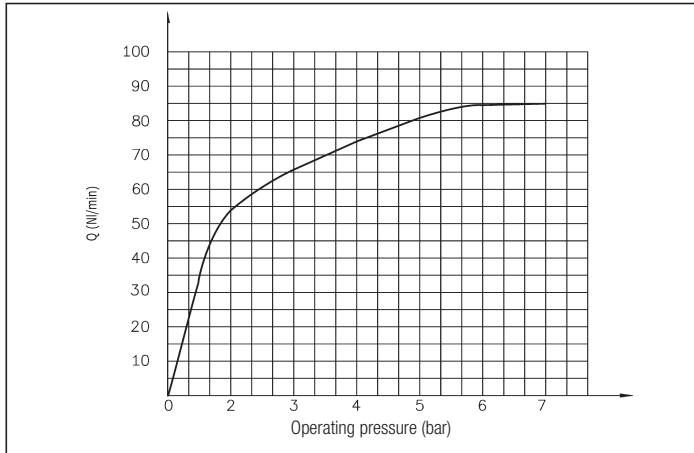
1 = FEEDING FLUID  
2 = SUCTION  
3 = EXHAUST

| Symbol | A    | B  | C    | D    | E    | F   | G   | I  | H     | L     | WEIGHT (g) | TYPE |
|--------|------|----|------|------|------|-----|-----|----|-------|-------|------------|------|
|        | 50.5 | 25 | 38   | 15   | 19.2 | 4   | 4.2 | 15 | G 1/8 | G 1/8 | 50         | VM8  |
|        | 58   | 30 | 38   | 19.5 | 23   | 4   | 4.2 | 25 | G 1/4 | G 1/4 | 90         | VM4  |
|        | 71.5 | 30 | 52   | 18.5 | 31   | 4.5 | 5.2 | 25 | G 3/8 | G 3/8 | 146        | VM3  |
|        | 75   | 35 | 56   | 21   | 33   | 4.5 | 5.2 | 30 | G 1/2 | G 1/2 | 203        | VM2  |
|        | 90.5 | 50 | 61.5 | 28.5 | 49.4 | 4.5 | 5.2 | 50 | G 3/4 | G 1/4 | 692        | VM15 |
|        | 97   | 50 | 68   | 28.5 | 52.4 | 4.5 | 5.2 | 50 | G 1   | G 1/4 | 643        | VM1  |

Vacuum generators  
G 1/8 ÷ G 1

series **VM**

SUCTION FLOW RATE



2