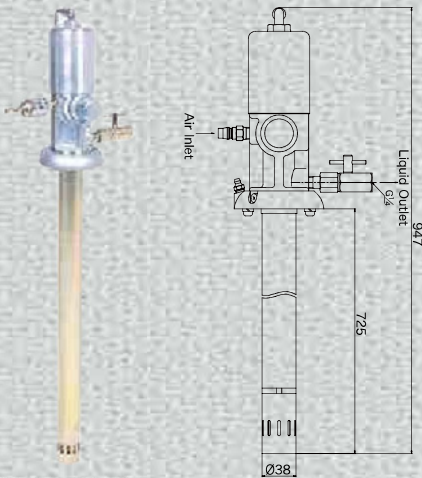


Air-Operated Grease Transfer Pumps

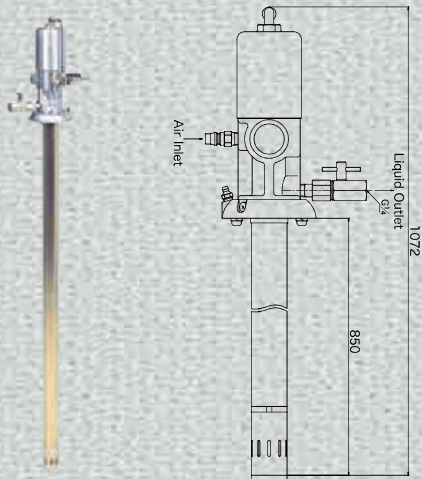
Grease Transfer Drum Pumps

Air-operated Drum Cover and follower plate kit for 180kg (400lb) and 55kg (120lb) drum.
Grease Gun and wide variety of length of Grease Hoses can be chosen.

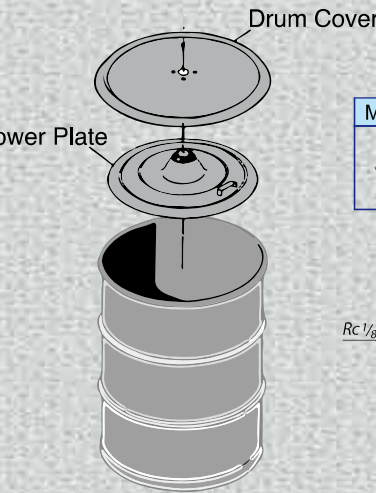
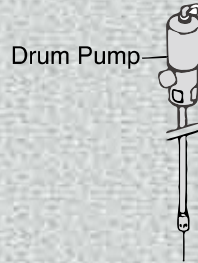
Dimensions



880846 SKR-725A55
Drum Pump for 55kg(120lb) Drum



880847 SKR-850A55
Drum Pump for 180kg(400lb) Drum

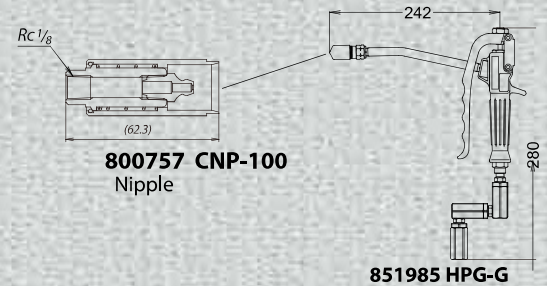


Grease Hoses

Model No.	Model	Description
695062	SKR-1.5M	Grease Hose 1.5M Max 34.5MPa
695050	SKR-2M	Grease Hose 2M Max 34.5MPa
695034	SKR-2.5M	Grease Hose 2.5M Max 34.5MPa
695049	SKR-3M	Grease Hose 3M Max 34.5MPa
695098	SKR-5M	Grease Hose 5M Max 34.5MPa
695335	SKR-7M	Grease Hose 7M Max 34.5MPa
695099	SKR-10M	Grease Hose 10M Max 34.5MPa

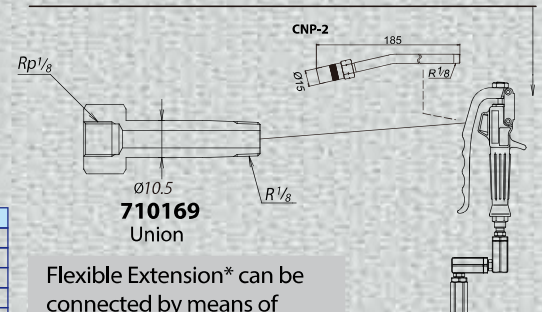
851985 HPG-G
HP Grease Gun

Model No.	Model	Description	Components
851985	HPG-G	HP Grease Gun	852165 Gun Body.....1 800547 CNP-2.....1 802910 HPG-J Swivel.....1



800757 CNP-100
Nipple

851985 HPG-G



710169
Union

851985 HPG-G

Flexible Extension* can be connected by means of Nipple or Union

*See page 3 for detail

Specifications

Model No.	Model	Shank Length (mm)	Suitable Container	Pump Ratio	Max Discharge Pressure (MPa)	Max Discharge Volume (g/min)	Max Air Consumption (NL/min)	Weight (kg)	Components
880846	SKR-725A55	725	55kg (120Lbs)	65:1	45.5	320	212	5.8	852500 SKR-725P55 Pump.....1 802159 Pump Flange.....1 800766 Check Valve.....1
880847	SKR-850A55	850	180kg (400Lbs)	65:1	45.5	320	212	6.8	852501 SKR-850P55 Pump.....1 802159 Pump Flange.....1 800766 Check Valve.....1