

# Air-Operated Oil Lubricators

Standard SGR-55 and high volume, high pressure SGR110A5 are available.

SGR110A5 is equipped with float-type oil level gauge and mechanical oil flow meter with non-drip flexible extension as a standard.

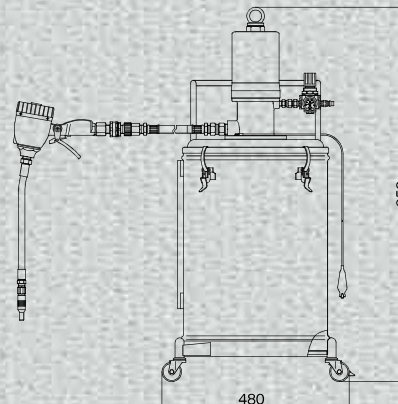
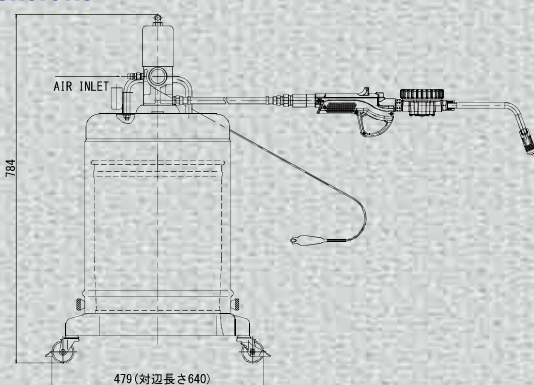


880267 SGR-55



880635 SGR110A5

## Dimensions



## Specifications

Model No.	Model	Capacity (L)	Pump Ratio	Max Discharge Pressure (MPa)	Max Discharge Volume (L/min)	Max Air Consumption (NL/min)	Weight (kg)	Standard Accessories
880267	SGR-55	20 (Attached pail can)	1.8 : 1	1.2	7.0	200	17.0	850792 SGR-55PA Oil Transfer Pump.....1 686858 Electric oil control gun.....1 695052 SGR-55-1.5M Oil Hose 1.5M.....1 682905 Pail Can.....1 680743 PS-20PM Air Coupler Plug.....1
880635	SGR110A5	50	5:1	3.5	11.0	630	27.5	851755 PD110A5 Oil Transfer Pump.....1 801428 LBM-G Lube Mechanical Meter.....1 805161 NDN-H-3 Flexible Hose Extension.....1 804553 OIL-SJ Swivel Joint.....1 695700 110H-3M Oil Hose 3M.....1 802553 AR-110A Air Regulator w/ Air Plug.....1

## Optional Accessories

Model No.	Model	Description	Fits Model
695052	SGR-55-1.5M	Oil Hose 1.5M Max 7MPa	SGR-55
695051	SGR-55-2M	Oil Hose 2M Max 7MPa	SGR-55
695103	SGR-55-3M	Oil Hose 3M Max 7MPa	SGR-55
695154	SGR-55-5M	Oil Hose 5M Max 7MPa	SGR-55
695866	110H-1M	Oil Hose 1M Max 7MPa	SGR110A5
695092	110H-2M	Oil Hose 2M Max 7MPa	SGR110A5
695700	110H-3M	Oil Hose 3M Max 7MPa	SGR110A5
695156	110H-5M	Oil Hose 5M Max 7MPa	SGR110A5



Replacement Hoses