

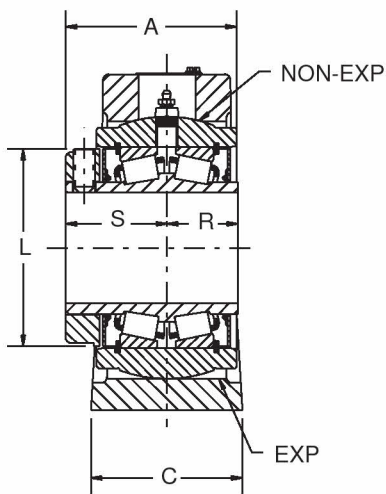
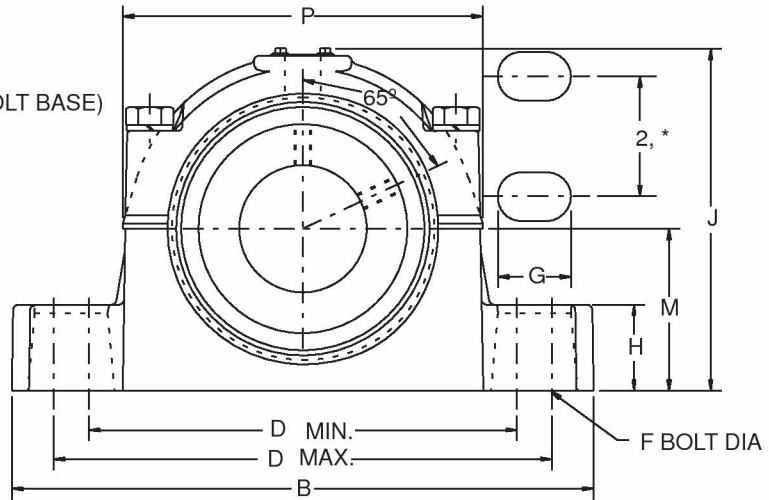
SELECTION/DIMENSIONS



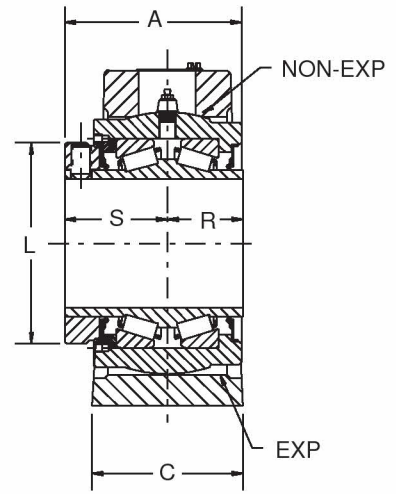
Type K Pillow Block 2 & 4 BOLT BASE - INCH*

- * 1-3/16 THRU 3-1/2 (2 BOLT BASE)
- * 3-15/16 (4 BOLT BASE)

NOTE: All sizes use a 1/8 - 27 NPT hydraulic grease fitting



1-3/16" THRU 3"
CONSTRUCTION



3-3/16" THRU 3-15/16"
CONSTRUCTION

FEATURES/BENEFITS PAGE B6-2	NOMENCLATURE PAGE B6-4	SELECTION PAGE B6-5	SELECTION/DIMENSIONS PAGE B6-8
--------------------------------	---------------------------	------------------------	-----------------------------------