

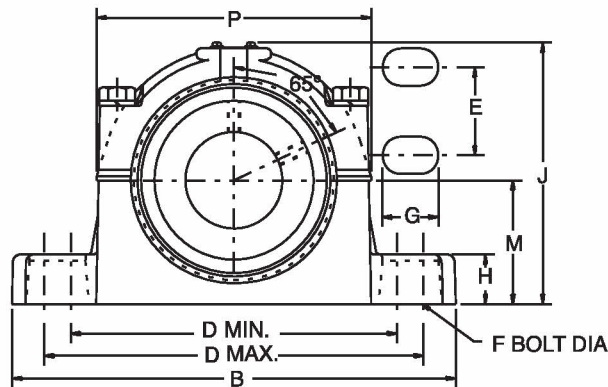


SELECTION/DIMENSIONS

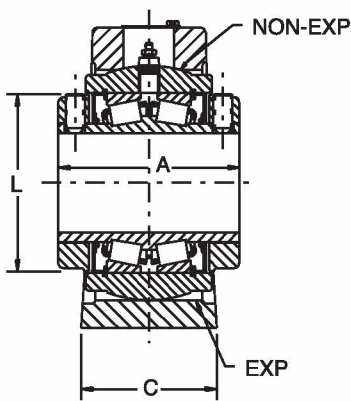


DOUBLE-INTERLOCK Pillow Block - Inch 4-BOLT BASE

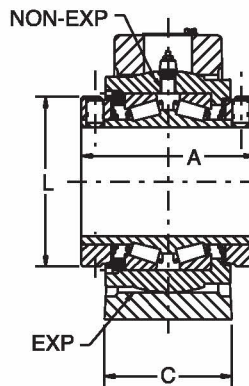
NOTE: All sizes use a 1/8 - 27 NPT hydraulic grease fitting



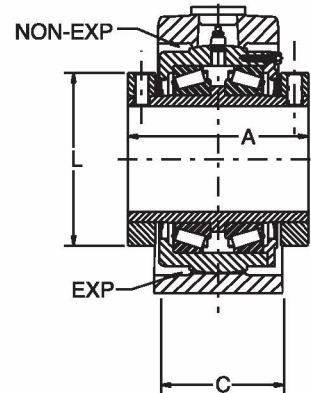
2-7/16" THRU 5"
CONSTRUCTION



2-7/16" THRU 3"
CONSTRUCTION



3-7/16" THRU 5"
CONSTRUCTION



5-7/16" THRU 5-15/16"
CONSTRUCTION

FEATURES/BENEFITS
PAGE B6-2

NOMENCLATURE
PAGE B6-4

SELECTION
PAGE B6-5

SELECTION/DIMENSIONS
PAGE B6-8