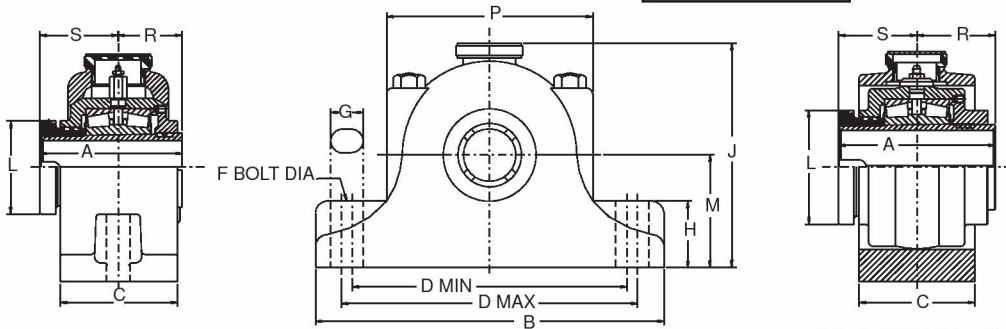


SELECTION/DIMENSIONS



Special Duty Pillow Block - Inch 2-BOLT BASE

NOTE: All sizes use a 1/8 - 27 NPT hydraulic grease fitting



NON-EXPANSION CONSTRUCTION

EXPANSION CONSTRUCTION

GRAY IRON NON-EXPANSION*			
SHAFT SIZE INCHES #	PART NUMBER	PART NAME	WEIGHT LBS (APPROX)
1-3/8	066213	P2B-SD-106	20
1-7/16	066214	P2B-SD-107	20
1-1/2	066300	P2B-SD-108	20
1-9/16	066212	P2B-SD-109	27
1-5/8	066228	P2B-SD-110	27
1-11/16	066216	P2B-SD-111	27
1-3/4	066301	P2B-SD-112	27
1-7/8	066217	P2B-SD-114	33
1-15/16	066218	P2B-SD-115	32
2	066302	P2B-SD-200	32
2-1/8	066215	P2B-SD-202	48
2-3/16	066220	P2B-SD-203	47
2-1/4	066303	P2B-SD-204	47
2-7/16	066222	P2B-SD-207	56
2-1/2	066246	P2B-SD-208	56
2-5/8	066223	P2B-SD-210	84
2-11/16	066304	P2B-SD-211	84
2-3/4	066226	P2B-SD-212	84
2-15/16	066230	P2B-SD-215	82
3	066305	P2B-SD-300	82
3-3/16	066232	P2B-SD-303	120
3-3/8	066237	P2B-SD-306	119
3-7/16	066234	P2B-SD-307	118
3-1/2	066236	P2B-SD-308	118

GRAY IRON EXPANSION			
SHAFT SIZE INCHES #	PART NUMBER	PART NAME	WEIGHT LBS (APPROX)
1-3/8	066249	P2B-SD-106E	22
1-7/16	066250	P2B-SD-107E	22
1-1/2	066306	P2B-SD-108E	22
1-9/16	066248	P2B-SD-109E	28
1-5/8	066243	P2B-SD-110E	28
1-11/16	066252	P2B-SD-111E	28
1-3/4	066307	P2B-SD-112E	28
1-7/8	066253	P2B-SD-114E	33
1-15/16	066254	P2B-SD-115E	32
2	066308	P2B-SD-200E	32
2-1/8	066257	P2B-SD-202EE	50
2-3/16	066256	P2B-SD-203E	49
2-1/4	066309	P2B-SD-204E	49
2-7/16	066258	P2B-SD-207E	60
2-1/2	066247	P2B-SD-208E	60
2-5/8	066262	P2B-SD-210E	80
2-11/16	066310	P2B-SD-211E	80
2-3/4	066263	P2B-SD-212E	80
2-15/16	066266	P2B-SD-215E	78
3	066311	P2B-SD-300E	78
3-3/16 ♣	066269	P2B-SD-303E	120
3-3/8 ♣	066271	P2B-SD-306E	119
3-7/16 ♣	066270	P2B-SD-307E	118
3-1/2	066273	P2B-SD-308E	118

* Furnished Unless Otherwise Specified

Consult DODGE For Sizes Not Listed

Consult DODGE For Sizes Not Listed

♣ 4-Bolt Caps

FEATURES/BENEFITS PAGE B7-2	HOW TO ORDER PAGE B7-23	NOMENCLATURE PAGE B7-24	SELECTION PAGE B7-25
--------------------------------	----------------------------	----------------------------	-------------------------