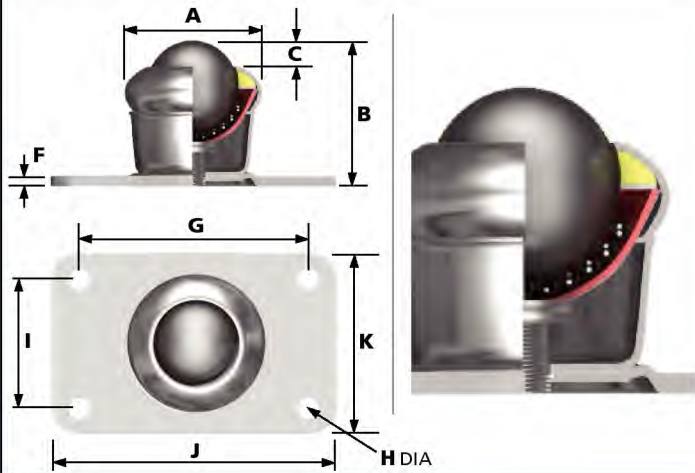


BASE FIXING UNITS

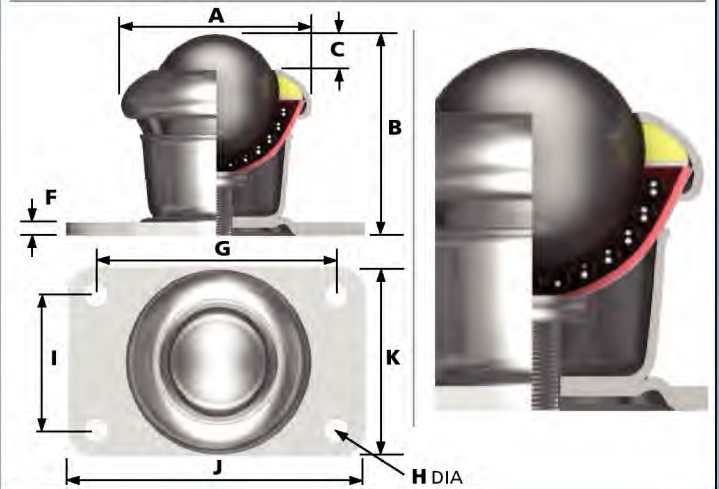
3005

Features: Heavy duty fixing. High profile. Drill hole fixing.
Optional extras: Dirt exit hole.



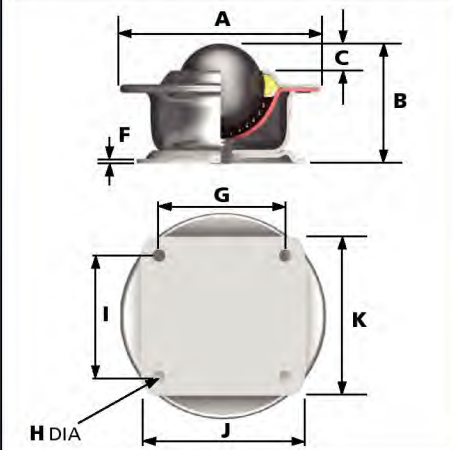
1005

Features: Heavy duty fixing. High profile. Drill hole fixing.
Optional extras: Dirt exit hole.



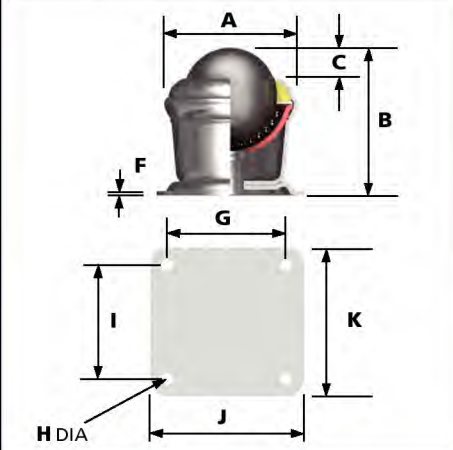
1020

Features: Heavy duty fixing. High load capacity. High profile. Drill hole fixing.
Optional extras: Dirt exit hole.



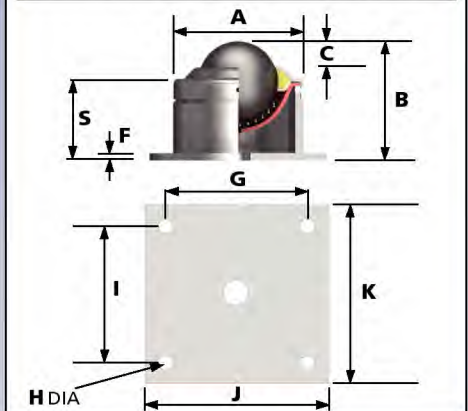
2003

Features: Heavy duty fixing. High load capacity. High profile. Drill hole fixing.
Optional extras: Dirt exit hole.



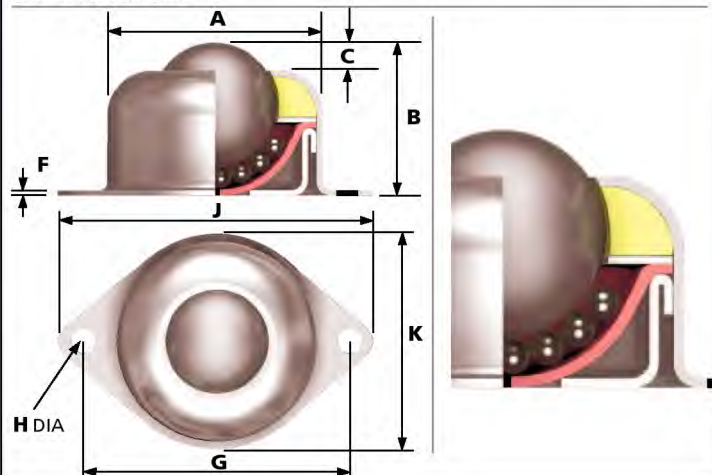
4002

Features: Heavy duty fixing. High load capacity. High profile. Dirt exit hole standard. Drill hole fixing. Can be dismantled for cleaning.
Optional extras: Grease points can be fitted.



1006

Features: High load capacity. High profile. Dirt exit hole standard. Drill hole fixing. The 1041 and 1050 ball units are similar in design to the 1006 ball unit.



1503

Features: High load capacity. High profile. Dirt exit hole standard. Drill hole fixing. Plastic knife edge seal on main ball.

