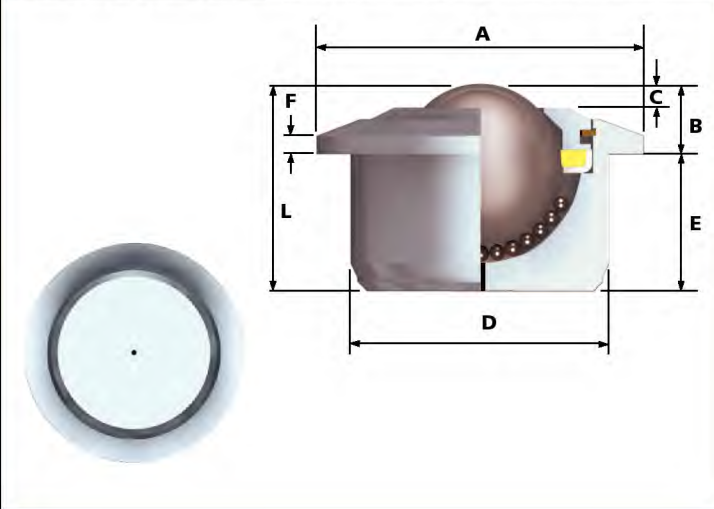


# HEAVY-DUTY UNITS, SERIES 800

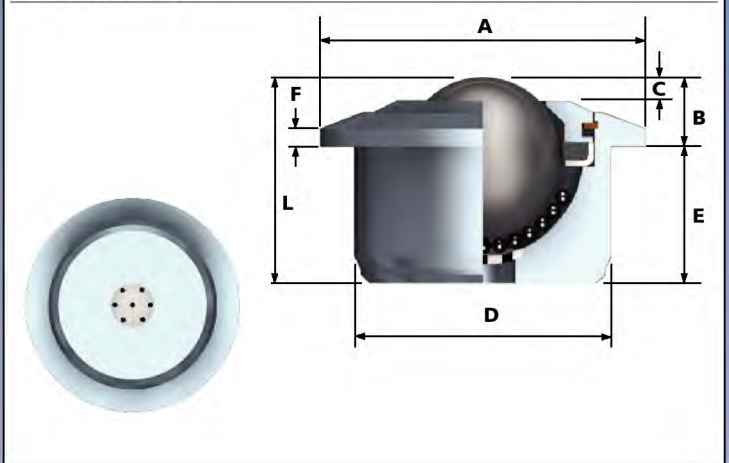
## HEAVY DUTY 800

Features: High load capacity, low profile, robust construction.



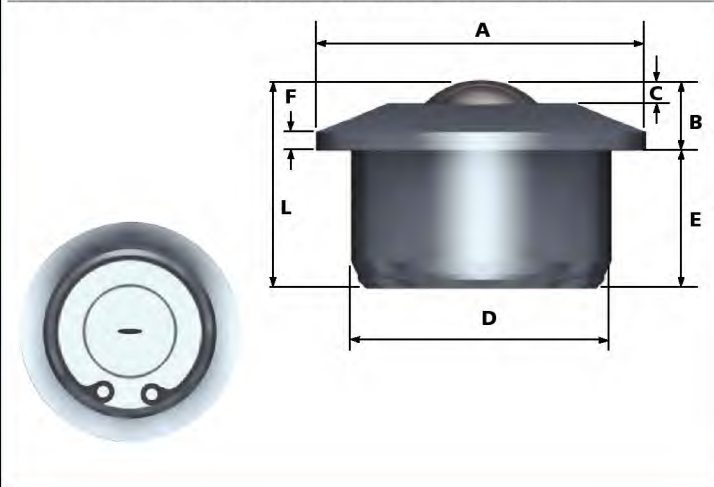
## HEAVY DUTY 805

Features: High load capacity, low profile, robust construction. Multi-hole drain plug provides an extra 600% debris hole area to assist in cleaning.



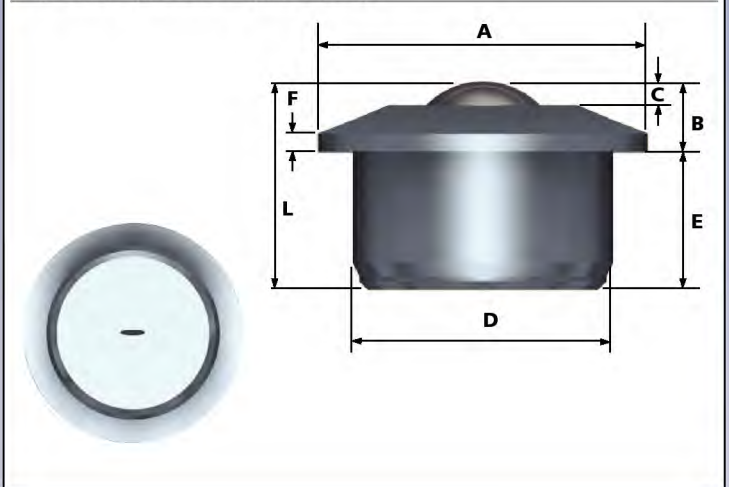
## HEAVY DUTY 806

Features: High load capacity, low profile, can be disassembled. Slotted dirt exit hole allows large debris particles to pass through.



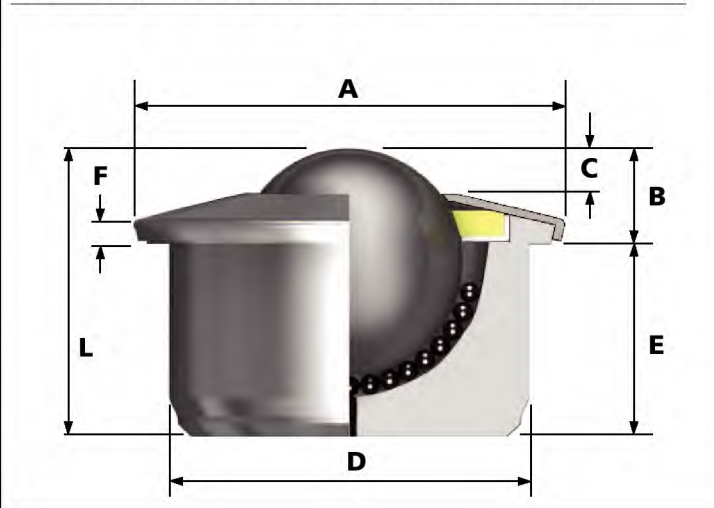
## HEAVY DUTY 807

Features: High load capacity, low profile. Slotted dirt exit hole allows large debris particles to pass through.



## HEAVY DUTY 810

Features: High load capacity, low profile, coned outer ring.



## HEAVY DUTY 820

Features: High load capacity, solid body and robust outer ring for greater durability. Can be dismantled for cleaning.

