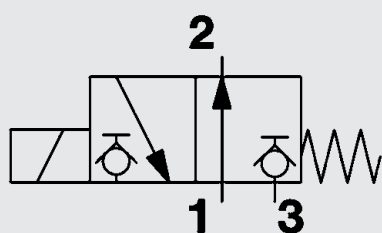
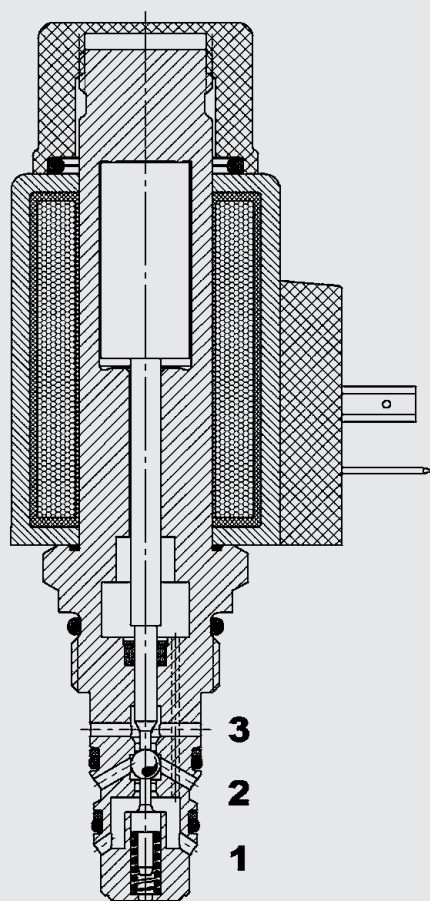


HYDAC**INTERNATIONAL**

Up to 12 l/min
Up to 500 bar

FUNCTION

The directional solenoid valve WSM03230D is a direct-acting, spring-loaded poppet valve.

When de-energized, there is flow through the WSM03230D from port 1 to port 2, and port 3 is closed. When the solenoid is energized, the valve allows flow from port 2 to 3, while blocking flow at port 1.

3/2 Solenoid Directional Valve Poppet Type, Direct-Acting Metric Cartridge – 500 bar WSM03230D-01

FEATURES

- External surfaces zinc-plated and corrosion-proof
- Hardened and ground internal valve components to ensure minimal wear and extended service life
- Coil seals protect the solenoid system
- Wide variety of connectors available
- Excellent switching performance by high power HYDAC solenoid

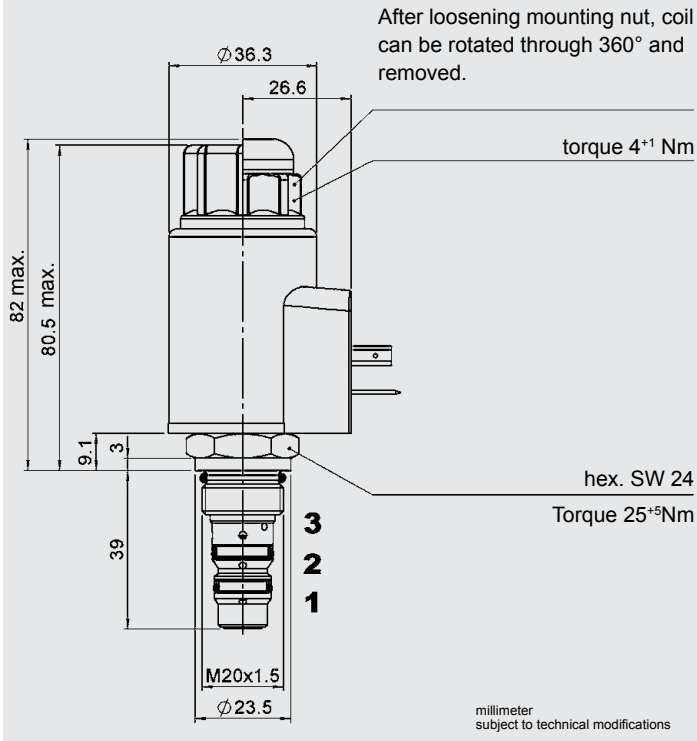
SPECIFICATIONS

Operating pressure:	max. 500 bar
Nominal flow:	max. 12 l/min
Internal leakage:	Leakage-free (max. 5 drops/min)
Temperature range of operating fluid:	min. -20 °C to max. +120 °C
Ambient temperature range:	min. -20 °C to max. +60 °C
Operating fluid:	Hydraulic oil to DIN 51524 Part 1 and 2
Viscosity range:	min. 7.4 mm ² /s up to max. 380 mm ² /s
Filtration:	Class 21/19/16 to ISO 4406 or cleaner
MTTF _d :	150 years
Installation:	No orientation restrictions
Materials:	Valve body: free-cutting steel Poppet: hardened and ground steel Seals: FKM (standard) NBR (optional, temperature range -20 °C to max. +100 °C) Back-up rings: PTFE Coil: polyamide / steel
Cavity:	03230
Weight:	Complete valve 0.45 kg Coil only 0.23 kg

Electrical data:

Type of voltage:	DC solenoid, AC voltage is rectified using a bridge rectifier built into the coil
Current draw at 20 °C:	2.22 A / 5.4 Ohm at 12 V DC 1.13 A / 21.2 Ohm at 24 V DC
Voltage tolerance:	± 15% of nominal
Coil duty rating:	Continuous up to max. 115% of the nominal voltage at 60 °C ambient temperature
Response time:	On: approx. 35 ms Off: approx. 30 ms
Coil type:	Coil...-50-1836

DIMENSIONS



MODEL CODE

WSM03230D - 01 M - C - V - 24 DG

Basic model _____
Directional poppet valve, metric

Type* _____
01 = standard

Manual override _____
No details = without manual override
M = manual override

Body and ports _____
C = cartridge only

Seals _____
V = FKM (standard)
N = NBR (optional)

Coil voltage _____
DC voltages
12 = 12 V DC
24 = 24 V DC

AC voltages (bridge rectifier built into the coil)
115 = 115 V AC
230 = 230 V AC

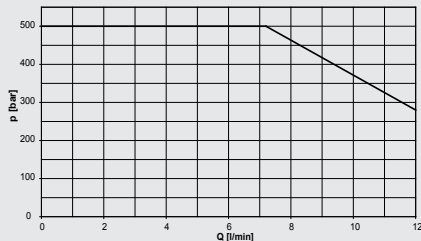
Other voltages on request

Coil connectors (type 50-1836) _____
DC: DG = DIN connector to EN 175301-803
DT = AMP Junior Timer, 2-pole, radial
DK = KOSTAL threaded connection M27x1
DL = 2 flying leads, 457 mm long, 0.75 mm²
DN = Deutsch connector, 2-pole, axial

AC: AG = DIN connector to EN 175301-803

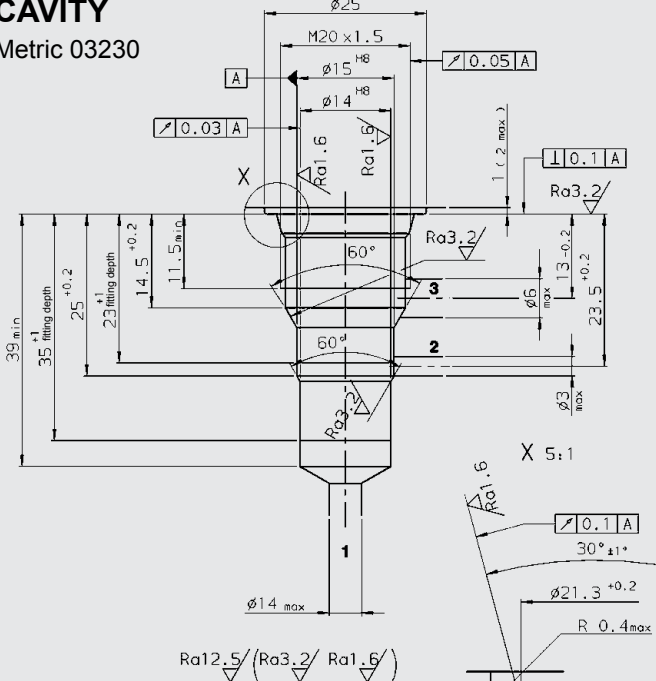
Other connectors on request

OPERATING LIMITS



CAVITY

Metric 03230



Form tools

Tool	Part No.
Countersink MK 3	170044
Reamer MK 2	169983
Tap	1002648
Plug gauge	165120

millimeter
subject to technical modifications

Standard models

Model code	Part No.
WSM03230D-01-C-V-12DG	3711500
WSM03230D-01-C-V-24DG	3711450
WSM03230D-01-C-V-230AG	3711451

Other models on request

***Standard line bodies**

Code	Part No.	Material	Ports	Pressure
R03230-01X-01	277440	Steel, zinc-plated	G ¼	420 bar

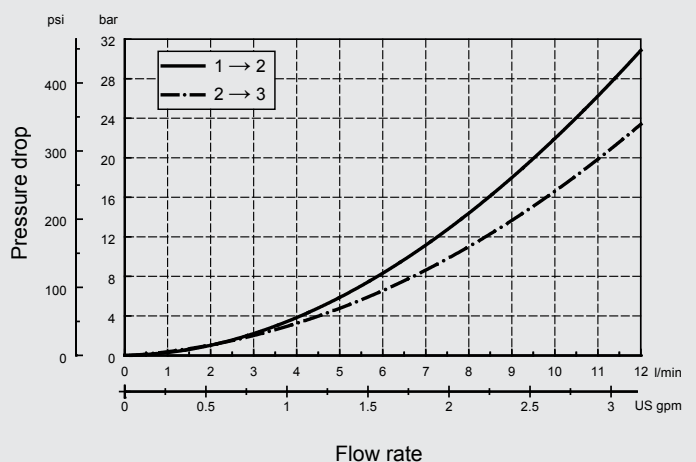
Other bodies on request

Seal kits

Code	Material	Part No.
SEAL KIT WSM03230 C/D	FPM	3760527

PERFORMANCE

Measured at $v = 33 \text{ mm}^2/\text{s}$, $T_{oil} = 46 \text{ }^\circ\text{C}$



NOTE

The information in this brochure relates to the operating conditions and applications described. For applications or operating conditions not described, please contact the relevant technical department.
Subject to technical modifications.

HYDAC Fluidtechnik GmbH
Justus-von-Liebig-Str.
D-66280 Sulzbach/Saar
Tel: 0 68 97 /509-01
Fax: 0 68 97 /509-598
E-Mail: flutec@hydac.com