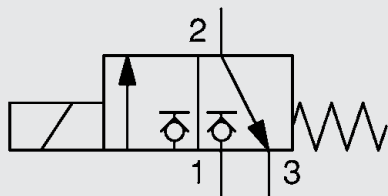
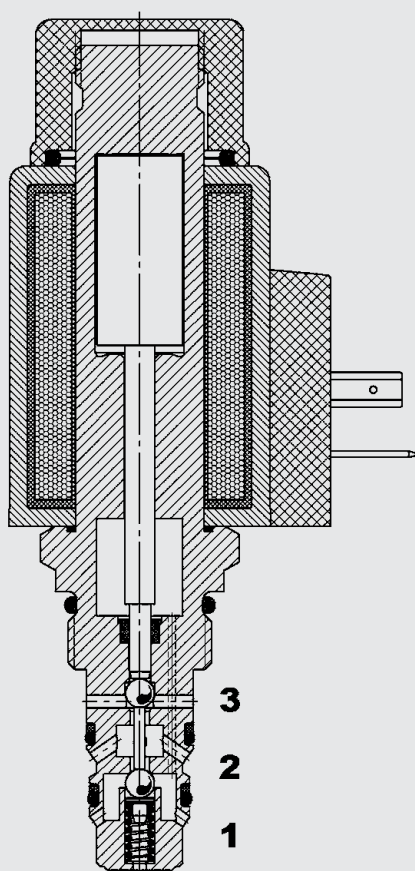


HYDAC**INTERNATIONAL**

Up to 12 l/min
Up to 500 bar

FUNCTION

The directional solenoid valve WSM03230C is a direct-acting, spring-loaded poppet valve.

When de-energized, there is flow through the WSM03230C from port 2 to port 3, and port 1 is closed. When the solenoid is energized, the valve allows flow from port 1 to 2, while blocking flow at port 3.

3/2 Solenoid Directional Valve Poppet Type, Direct-Acting Metric Cartridge – 500 bar WSM03230C-01

FEATURES

- External surfaces zinc-plated and corrosion-proof
- Hardened and ground internal valve components to ensure minimal wear and extended service life
- Coil seals protect the solenoid system
- Wide variety of connectors available
- Excellent switching performance by high power HYDAC solenoid

SPECIFICATIONS

Operating pressure:	max. 500 bar
Nominal flow:	max. 12 l/min
Internal leakage:	Leakage-free (max. 5 drops/min)
Temperature range of operating fluid:	min. -20 °C to max. +120 °C
Ambient temperature range:	min. -20 °C to max. +60 °C
Operating fluid:	Hydraulic oil to DIN 51524 Part 1 and 2
Viscosity range:	min. 7.4 mm ² /s up to max. 380 mm ² /s
Filtration:	Class 21/19/16 to ISO 4406 or cleaner
MTTF _d :	150 years
Installation:	No orientation restrictions
Materials:	Valve body: free-cutting steel Poppet: hardened and ground steel Seals: FKM (standard) NBR (optional, temperature range -20 °C to max. +100 °C) Back-up rings: PTFE Coil: steel / polyamide
Cavity:	03230
Weight:	Complete valve 0.45 kg Coil only 0.23 kg

Electrical data:

Type of voltage:	DC solenoid, AC voltage is rectified using a bridge rectifier built into the coil
Current draw at 20 °C:	2.22 A / 5.4 Ohm at 12 V DC 1.13 A / 21.2 Ohm at 24 V DC
Voltage tolerance:	± 15% of nominal
Coil duty rating:	Continuous up to max. 115% of the nominal voltage at 60 °C ambient temperature
Response time:	On: approx. 35 ms Off: approx. 25 ms
Coil type:	Coil...-50-1836

