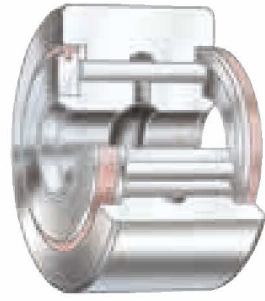


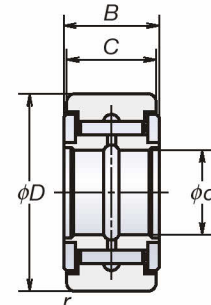
- FYCR** Full Complement
- FYCRS** Full Complement, Sealed with Thrust Washer
- FYCJ** With Cage
- FYCJS** Sealed, with Cage and Thrust Washer



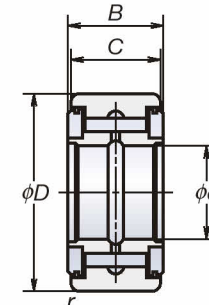
Full Complement



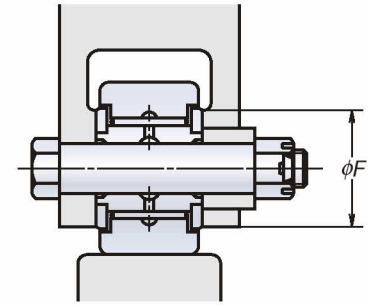
Full Complement, Sealed



FYCR



FYCRS



Bearing Numbers		Boundary Dimensions (mm)					Basic Dynamic Load Ratings (N)		Limiting Track Loads (N)	Mass (kg)	Shoulder Dimensions (mm)
FYCR FYCJ	FYCRS FYCJS	<i>d</i>	<i>D</i>	<i>C</i>	<i>B</i> -0.38	<i>r</i> min	<i>C_r</i>	<i>C_{or}</i>		Approx.	<i>F</i> min
FYCR-5	FYCRS-5	5	16	11	12	0.3	5 800	8 000	3 350	0.016	10
FYCJ-5	FYCJS-5	5	16	11	12	0.3	2 830	2 620	3 350	0.014	10
FYCR-6	FYCRS-6	6	19	11	12	0.3	6 550	9 900	4 150	0.022	12
FYCJ-6	FYCJS-6	6	19	11	12	0.3	3 450	3 600	4 150	0.020	12
FYCR-8	FYCRS-8	8	24	14	15	0.3	10 100	15 000	6 500	0.044	14
FYCJ-8	FYCJS-8	8	24	14	15	0.3	5 700	6 000	6 500	0.042	14
FYCR-10	FYCRS-10	10	30	14	15	0.6	11 700	18 500	7 800	0.069	17
FYCJ-10	FYCJS-10	10	30	14	15	0.6	6 950	8 200	7 800	0.067	17
FYCR-12	FYCRS-12	12	32	14	15	0.6	12 600	21 000	8 050	0.076	19
FYCJ-12	FYCJS-12	12	32	14	15	0.6	7 650	9 650	8 050	0.074	19
FYCR-15	FYCRS-15	15	35	18	19	0.6	18 700	29 300	11 800	0.105	23
FYCJ-15	FYCJS-15	15	35	18	19	0.6	12 200	14 100	11 800	0.097	23
FYCR-17	FYCRS-17	17	40	20	21	1	21 100	35 000	14 300	0.145	25
FYCJ-17	FYCJS-17	17	40	20	21	1	13 700	16 700	14 300	0.14	25
FYCR-20	FYCRS-20	20	47	24	25	1	28 900	50 000	20 800	0.255	29
FYCJ-20	FYCJS-20	20	47	24	25	1	18 200	22 600	20 800	0.245	29
FYCR-25	FYCRS-25	25	52	24	25	1	32 500	60 000	22 900	0.285	34
FYCJ-25	FYCJS-25	25	52	24	25	1	22 200	31 000	22 900	0.275	34
FYCR-30	FYCRS-30	30	62	28	29	1	47 500	96 000	33 000	0.48	51
FYCJ-30	FYCJS-30	30	62	28	29	1	31 500	47 000	33 000	0.47	51
FYCR-35	FYCRS-35	35	72	28	29	1	49 500	106 000	36 500	0.64	58
FYCJ-35	FYCJS-35	35	72	28	29	1	33 000	52 500	36 500	0.635	58
FYCR-40	FYCRS-40	40	80	30	32	1	54 500	126 000	43 500	0.88	66
FYCJ-40	FYCJS-40	40	80	30	32	1	38 500	67 500	43 500	0.865	66
FYCR-45	FYCRS-45	45	85	30	32	1	57 500	139 000	46 500	0.93	72
FYCJ-45	FYCJS-45	45	85	30	32	1	40 000	73 000	46 500	0.91	72
FYCR-50	FYCRS-50	50	90	30	32	1	60 500	152 000	49 500	0.995	76
FYCJ-50	FYCJS-50	50	90	30	32	1	41 500	78 000	49 500	0.965	76

Remarks Standard grease is packed in sealed roller followers, but not in roller followers without seals. Please consult NSK when making a selection.