

T050

Válvula de Corte / Shut off Valve

CÓDIGO DE LOS PRODUCTOS STANDARD EN STOCK - STANDARD PRODUCTS AVAILABLE IN STOCK



Código Code	Tamaño Size	Rosca Thread	Caudal Flow Rate	Comando Drive
T050103000010	V3V 1	1/4	1850 NI/min	M
T050104000010	V3V 1	3/8	1850 NI/min	M
T050104000020	V3V 1	3/8	1850 NI/min	EP
T050104000030	V3V 1	3/8	1850 NI/min	P
T050204000010	V3V 2	3/8	3000 NI/min	M
T050205000010	V3V 2	1/2	3000 NI/min	M
T050205000020	V3V 2	1/2	3000 NI/min	EP
T050205000030	V3V 2	1/2	3000 NI/min	P
T050307000010	V3V 3	3/4	5200 NI/min	M
T050309000010	V3V 3	1"	5200 NI/min	M
T050309000020	V3V 3	1"	5200 NI/min	EP
T050309000030	V3V 3	1"	5200 NI/min	P

M: Manual / Manual

P: Neumático / Pneumatic

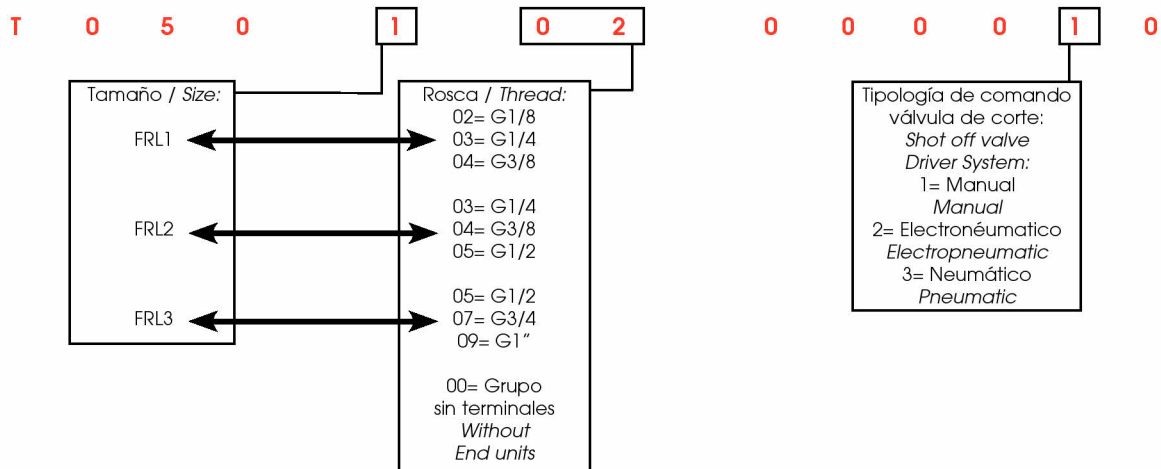
Canchado incluido / Padlock included in the packing

*EP: Electronéumático / Electropneumatic

*NB: STANDARD SIN SOLENOIDE VER PAG. 17.48 - STANDARD WITHOUT SOLENOID SEE PAG. 17.48

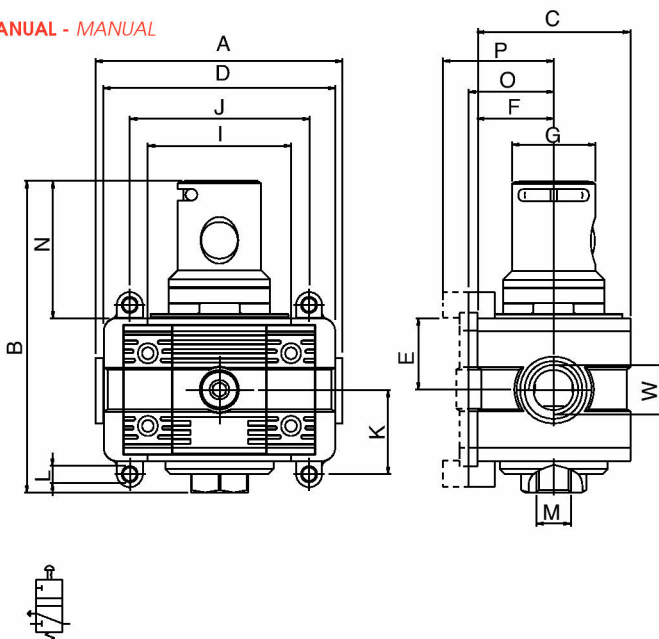
NB: La válvula de corte electroneumática no puede ser utilizada en atmósfera potencialmente explosiva según la directiva ATEX. NB: According to the Directive ATEX Shut off valves cannot be used in potentially explosive environment.

Codificación artículos para su demanda - Article codes to be used for ordering



Dimensiones - Dimensions

MANUAL - MANUAL



	FRL 1	FRL 2	FRL 3
A	72	89	100
B	105.5	119.5	131.5
C	45	59	70
D	75.5	89	106 106 111
W	1/8" - 1/4" - 3/8"	1/4" - 3/8" - 1/2"	1/2" - 3/4" - 1"
E	21	27.5	32.5
F	22.5	28.5	35
G	32	32	32
I	43	55	65
J	54	69	79
K	26	32.5	38
L	Ø X M4	Ø X M5	Ø X M6
M	1/8"	1/4"	3/8"
N	52.5	52.5	52.5
O	26	32	38.5
P	32.5	38.5	45