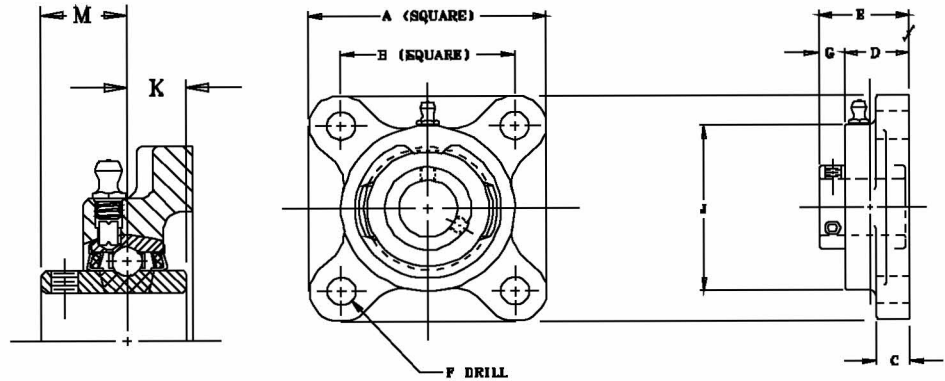




MOUNTED BALL BEARINGS

**SEALMASTER®**



**SF** Series Standard Duty Four-Bolt Flange Units...Setscrew Locking

SHAFT DIAM.	PART NO.	BRG. NO.	Dimensions in Inches										UNIT WT.
			A	B	C	D	E	F	G	J	K	M	
1/2 9/16 5/8 11/16	SF-8 SF-9 SF-10 SF-11	2-08 2-09 2-010 2-011	3	2 1/8	7/16	15/16	1 9/32	13/32	11/32	2 5/16	1/2	23/32	1.4
3/4 20	SF-12 SF-204	2-012 5204	3 3/8	2 1/2	7/16	15/16	1 9/32	13/32	11/32	2 3/8	1/2	23/32	1.5
13/16 7/8 15/16 1 25	SF-13 SF-14 SF-15 SF-16 SF-205	2-013 2-014 2-015 2-1 5205	3 3/4	2 3/4	17/32	1 1/32	1 7/16	15/32	13/32	2 23/32	9/16	13/16	2.1
1 1/16 1 1/8 1 3/16 1 1/4 30	SF-17 SF-18 SF-19 SF-20R SF-206	2-11 2-12 2-13 1-14 5206	4 1/4	3 1/4	17/32	1 11/64	1 9/16	15/32	25/64	3 7/32	5/8	7/8	3.6
1 1/4 1 5/16 1 3/8 1 7/16 35	SF-20 SF-21 SF-22 SF-23 SF-207	2-14 2-15 2-16 2-17 5207	4 5/8	3 5/8	9/16	1 11/32	1 3/4	17/32	13/32	3 23/32	11/16	1	4.1
1 1/2 1 9/16 40	SF-24 SF-25 SF-208	2-18 2-19 5208	5 1/8	4	9/16	1 1/2	2 1/64	17/32	33/64	4 5/64	3/4	1 3/16	5.5
1 5/8 1 11/16 1 3/4 45	SF-26 SF-27 SF-28 SF-209	2-110 2-111 2-112 5209	5 3/8	4 1/8	9/16	1 9/16	2 3/64	19/32	31/64	4 21/64	3/4	1 3/16	5.7
1 13/16 1 7/8 1 15/16 2 50	SF-29 SF-30 SF-31 SF-32R SF-210	2-113 2-114 2-115 1-2 5210	5 5/8	4 3/8	9/16	1 9/16	2 5/32	19/32	19/32	4 9/16	3/4	1 9/32	6.4
2 2 1/8 2 3/16 55	SF-32 SF-34 SF-35 SF-211	2-2 2-22 2-23 5211	6 3/8	5 1/8	13/16	1 3/4	2 5/16	21/32	9/16	5 1/4	7/8	1 5/16	10.5
2 1/4 2 3/8 2 7/16 60	SF-36 SF-38 SF-39 SF-212	2-24 2-26 2-27 5212	6 7/8	5 5/8	13/16	1 15/16	2 11/16	21/32	3/4	5 7/16	1	1 9/16	11.8
2 1/2 2 11/16 70	SF-40 SF-43 SF-214	3-28 2-211 5214	7 3/8	5 7/8	11/16	2 5/16	3	21/32	11/16	6 1/8	1 1/16	1 11/16	16.4
2 7/8 2 15/16 75	SF-46 SF-47 SF-215	2-214 2-215 5215	7 3/4	6	1	2 3/8	3 3/16	25/32	13/16	6 1/2	1 5/16	1 3/4	19.4