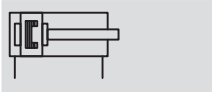


Round cylinders DSEU

Technical data

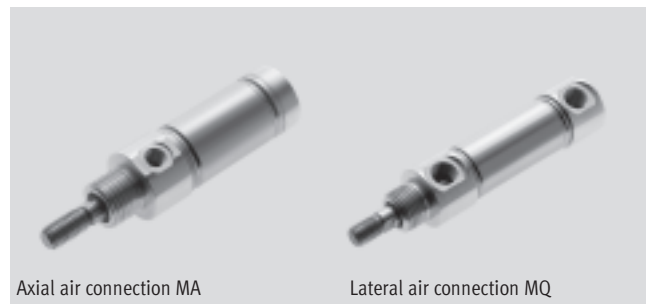
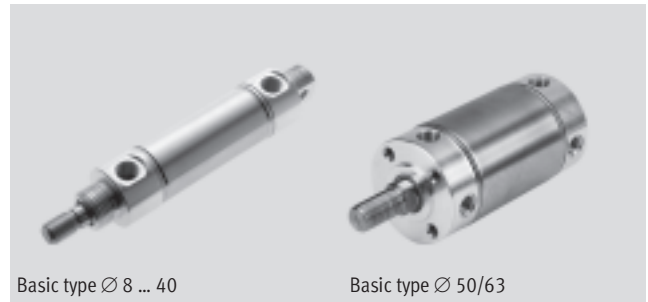
FESTO

Function



∅ - Diameter
8 ... 63 mm

— - Stroke length
10 ... 320 mm



General technical data										
Piston ∅	8	10	12	16	20	25	32	40	50	63
Pneumatic connection	M3	M5	M5	M5	G ¹ / ₈	G ¹ / ₈	G ¹ / ₈	G ¹ / ₈	G ¹ / ₄	G ¹ / ₄
Piston rod thread	M4	M4	M6	M6	M8	M10x1.25	M10x1.25	M12x1.25	M16x1.5	M16x1.5
Design	Piston									
	Piston rod									
	Cylinder barrel									
Cushioning	Flexible cushioning rings/plates at both ends									
Position sensing	For proximity sensing									
Type of mounting	Via accessories									
Mounting position	Any									

Operating pressure [bar]										
Piston ∅	8	10	12	16	20	25	32	40	50	63
Operating medium	Filtered compressed air, lubricated or unlubricated									
Operating pressure [bar]	1.5 ... 10									

Ambient conditions	
Ambient temperature ¹⁾ [°C]	0 ... +80
Corrosion resistance class CRC ²⁾	1

1) Note operating range of proximity sensors

2) Corrosion resistance class 1 according to Festo standard 940 070

Components requiring low corrosion resistance. Transport and storage protection. Parts that do not have primarily decorative surface requirements, e.g. in internal areas that are not visible or behind covers.