



FEEDER BLOCK SERIES AG6

Adjustable Discharge 0,25 - 3 cc. per/stroke
 (.015-.183 cu. in. / stroke)
 Dual Line System

671200 671300
 671310 672300
 672200 672310
 673300 673200
 673310 673400
 674200 674310

ENGLISH

PRODUCT DATA SHEET

DESCRIPTION:

The feeder body is made of special anti-friction steel. Pistons are made of tempered steel. Bores and pistons are lapped to provide superior sealing. The indicator turrets are provided with integral adjusting screws together with a metacrylate cover and seal. On request an aluminum cover can be supplied. The feeder body has a galvanized finish and features an adaptor for single or double outlet conversion.

SPECIFICATION:

- Temperature range:** -30 to +80°C.
- Max. pressure (inlet):** 400 bar (5800 psi.)
- Cycles:** 100/min.
- Min. Viscosity:** 100 cSt (462 SSU)
- Grease Max.:** 265 ASTM (NLGI 2)*
- Connections:**
- Inlet:** 3/8"
- Outlet:** 1/4"

(* For different type of grease please contact your supplier

In installations where backpressure is detected at the outlets of the feeder blocks, a check valve must be fitted to each outlet (see following page).

ORDERING INFORMATION:

Ordering is by Part No., refer to the following table:

Thread.	Part No.	Weight.		No. Elements.
		Kg.	Lbs.	
Dropsa Standard BSP	671300	1,600	3.52	1 - 2
	672300	2,250	4.95	2 - 4
	673300	2,950	6.49	3 - 6
	674300	3,550	7.81	4 - 8
Din 3852 x BSP	671200	1,600	3.52	1 - 2
	672200	2,250	4.95	2 - 4
	673200	2,950	6.49	3 - 6
	674200	3,550	7.81	4 - 4
NPTF	671310	1,600	3.52	1 - 2
	672310	2,250	4.95	2 - 4
	673310	2,950	6.49	3 - 6
	674310	3,550	7.81	4 - 8

Function:(Refer to Figs. 1 and 3.) The feeder discharge is controlled by a servo -piston (A) and a metering piston (B) and can be arranged to provide a single or double outlet. Fig. D-E = 2 separate outlets Fig. F-G=1 outlet. Feeders are normally supplied with double outlets unless otherwise specified. Retrospective conversion can be undertaken by fitting adaptor Y (Part No. 622076) for single outlet and X (Part No. 622077) for double outlet (see following page). When single outlet feeders are used the discharge per complete cycle = 0,5-6 cc./stroke.(.03 - .366 cu. in./stroke)

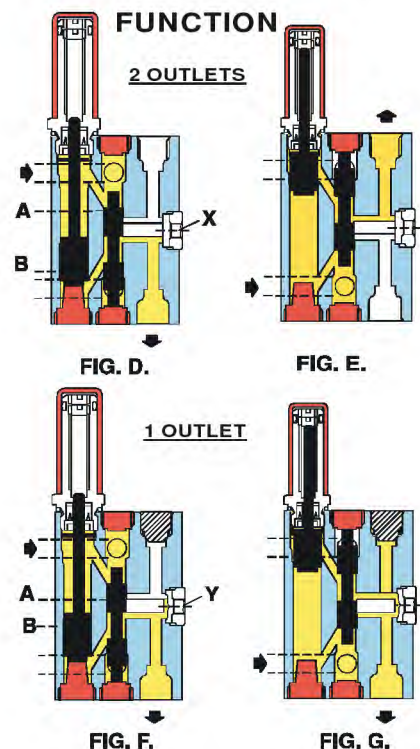


The double outlet adaptor (Part No. 622077) is identifiable by two parallel line markings in the centre; the single outlet adaptor (Part No.622076) has a circular marking only.

Dimensions:

Mounting: (Refer to Fig. 2.)

Aluminum bushings (Part No. 3008107) are supplied



for mounting on uneven surfaces to prevent distortion or damage due to over tightening.