

Electric Driven Grease Lubricators

AC100V electric, AC240V electric and DC24V battery driven grease lubricators.
Available with JIS 18L/20L pail.

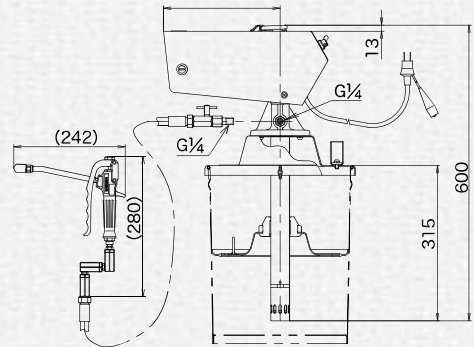


880899 EPL-100 / 881081 EPL-240

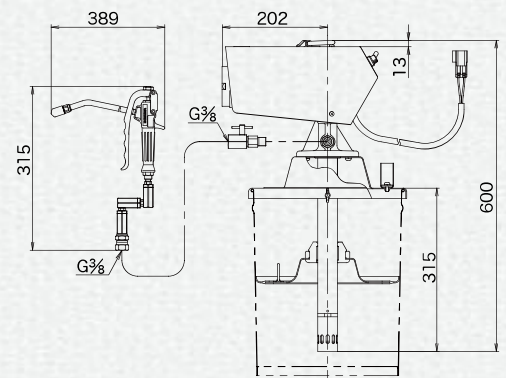
880639 KPL-24



Dimensions



EPL-100 / EPL-240



KPL-24

Specifications

Model No.	Model	Usable Container	Power Source	Discharge Volume (g/min)	Max Discharge Pressure (MPa)	Rotating Speed (rpm)	Quake Resistance	Weight (kg)	Standard Accessories
880899	EPL-100	JIS 18L Pail	AC100V 100W 2.0A	200	28	90-145	4G	13.0	851985 HPG-G HP Grease Gun.....1
881081	EPL-240		AC240V 100W 0.83A						695034 SKR-2.5M Grease Hose 2.5M.....1
880639	KPL-24	JIS 18L Pail	DC24V 90W 6.3A	130	28 (30min,rating)	95-108	4G	12.0	802493 Power Cord Assy.....1 852164 HPG-G13 HP Grease Gun.....1 803085 Follower Plate.....1 685940 Union Adapter.....1 802704 Power Cord Assy.....1

Optional Accessories

Model No.	Model	Description	Fits Model
851003	S-20	Dolly	EPL-100, EPL-240, KPL-24
802335	KPL-55C	Caster	EPL-100, EPL-240, KPL-24
695062	SKR-1.5M	Grease Hose 1.5M Max 34.5MPa	EPL-100, EPL-240
695050	SKR-2M	Grease Hose 2M Max 34.5Pa	EPL-100, EPL-240
695034	SKR-2.5M	Grease Hose 2.5M Max 34.5MPa	EPL-100, EPL-240
695049	SKR-3M	Grease Hose 3M Max 34.5MPa	EPL-100, EPL-240
695098	SKR-5M	Grease Hose 5M Max 34.5MPa	EPL-100, EPL-240
695335	SKR-7M	Grease Hose 7M Max 34.5MPa	EPL-100, EPL-240
695099	SKR-10M	Grease Hose 10M Max 34.5MPa	EPL-100, EPL-240
695303	KPL-24-10M	Grease Hose 10M Max 34.5MPa	KPL-24
802817	KPL-E5M	Extension Power Cord 5M	KPL-24
683239	KPL-BK	Cover	KPL-24
N834488	HR-3C15	Open Hose Reel 15M	KPL-24



N834488 HR-3C15



851003 S-20



Replacement Hoses



802817 KPL-E5M



683239 KPL-BK



802335 KPL-55C