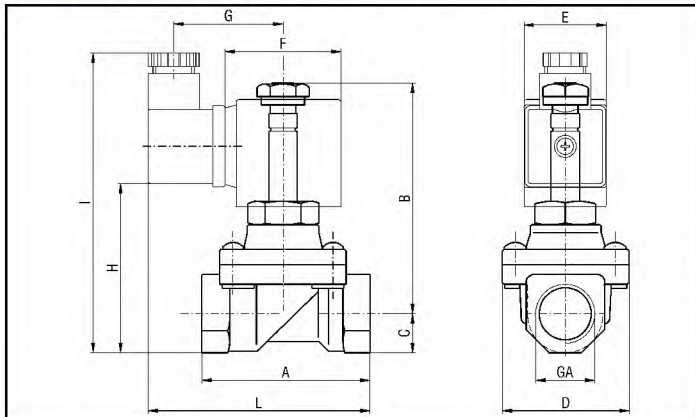


## 2 PORT G 3/8 - G 1 WITH MIXED ACTUATION



GA	A	B	C	D	E	E	F	F
					WE2A	WE5A	WE2A	WE5A
G 3/8	59	83	14	45	30	36	42	47,5
G 1/2	59	83	14	45	30	36	42	47,5
G 3/4	79	90	18	55	-	36	-	47,5
G 1	96	101	20	72	-	36	-	47,5

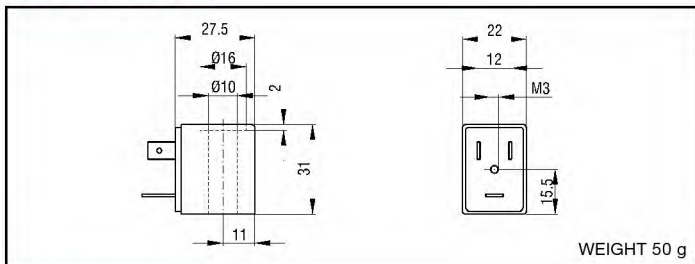
G	G	H	H	I	I	L	L	WEIGHT
WE2A	WE5A	WE2A	WE5A	WE2A	WE5A	WE2A	WE5A	(g)
39,5	42,5	58,5	58	106	105,5	79	82	580
39,5	42,5	58,5	58	106	105,5	79	82	530
-	42,5	-	69	-	116,5	-	89,5	750
-	42,5	-	82	-	129,5	-	100	1200

Symbol	Function	Differential pressure (bar)			Kv	Nominal orifice (mm)	Port size (GA)	TYPE**
		MIN.	MAX.					
			AC	DC				
	2/2 N.C.	0	10	-	2	12	G 3/8	W 108 1 * E2A
		0	10	-	2,2	12	G 1/2	W 108 2 * E2A
		0	12	10	2	12	G 3/8	W 108 1 * E5A
		0	12	10	2,2	12	G 1/2	W 108 2 * E5A
		0	9	-	4,5	18	G 3/4	W 108 3 * E5A
		0	7	-	8,5	24	G 1	W 108 4 * E5A

\* SPECIFY THE SEALING TYPE: B = NBR; V = FPM; E = EPDM

\*\* THE TYPES OF THE SOLENOID VALVES DO NOT INCLUDE COILS (SEE "WE2A" AND "WE3A") THAT HAVE PREFERABLY TO BE MOUNTED TOWARD THE HIGH

### COIL TYPE WE3A

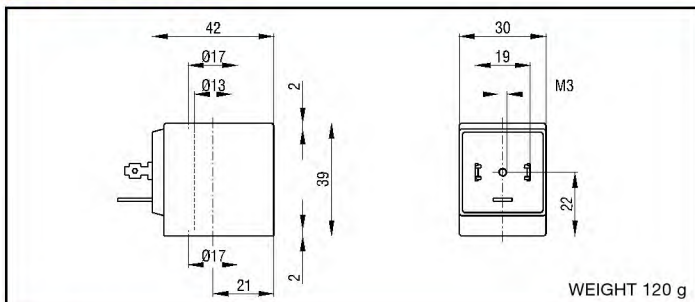


Power consumption	DC: 5,5 W AC: 11 VA (inrush)
-------------------	---------------------------------

DESCRIPTION	TYPE
COIL 22 mm 24 V DC	WE3A/02400
COIL 22 mm 24 V AC	WE3A/02450-60
COIL 22 mm 110 V AC	WE3A/11050-60
COIL 22 mm 220 V AC	WE3A/22050-60

ELECTRIC CONNECTOR "USR 102/N9" (SEE ON PAGE 2.15)

### COIL TYPE WE2A

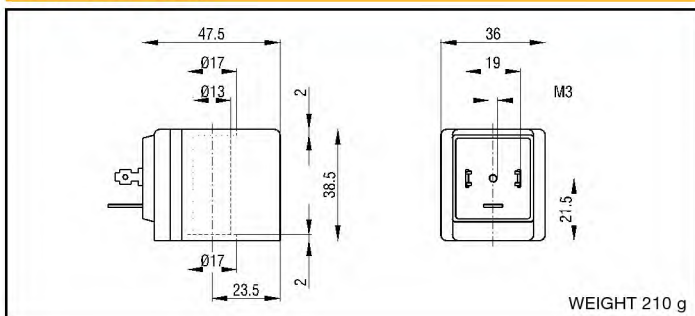


Power consumption	DC: 8 W AC: 20 VA (inrush)
-------------------	-------------------------------

DESCRIPTION	TYPE
COIL 30 mm 24 V DC	WE2A/02400
COIL 30 mm 24 V AC	WE2A/02450-60
COIL 30 mm 110 V AC	WE2A/11050-60
COIL 30 mm 220 V AC	WE2A/22050-60

ELECTRIC CONNECTOR "ULR1B" (SEE ON PAGE 2.15)

### COIL TYPE WE5A



Power consumption	DC: 23 W AC: 40 VA (inrush)
-------------------	--------------------------------

DESCRIPTION	TYPE
COIL 36 mm 24 V DC	WE5A/02400
COIL 36 mm 24 V AC	WE5A/02450-60
COIL 36 mm 110 V AC	WE5A/11050-60
COIL 36 mm 220 V AC	WE5A/22050-60

ELECTRIC CONNECTOR "ULR1B" (SEE ON PAGE 2.15)