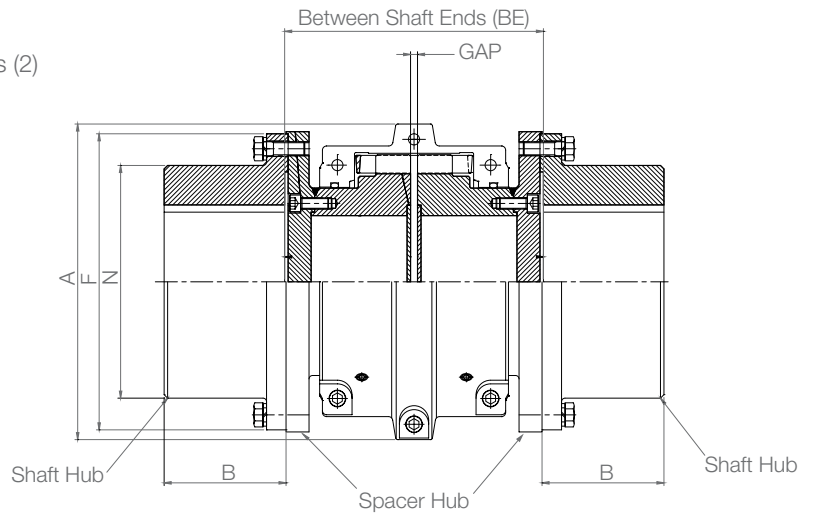
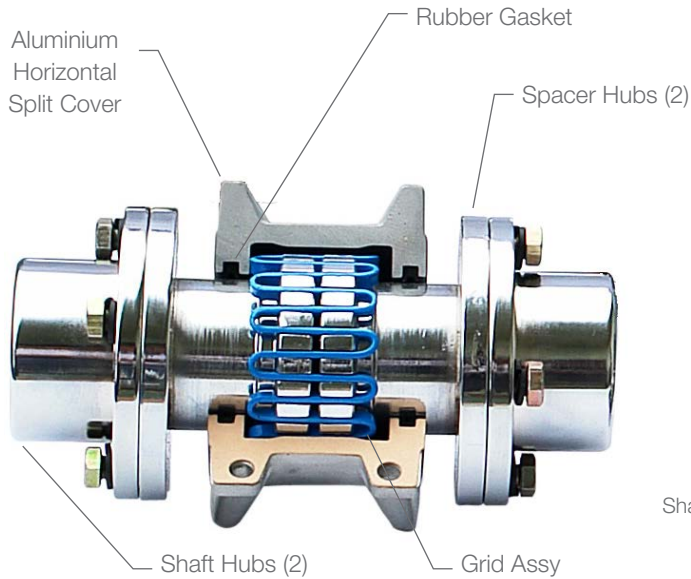


GUARDEX™ STYLE "TG" GRID COUPLING

Spacer



"TG" Tapered Grid

Dimensional Data

Size	HP Per 100 rpm	Max. Speed (rpm)	Nom. Torque IN #	Bore Dia. (IN)		Dimensions (IN)							Flange Bolt No.
				Max.	Min.	A	B	BE		N	F	Gap (IN)	
								Min	Max				
1020	0.73	3,600	460	1.42	.50	4.00	1.38	3.50	7.99	2.05	3.386	.177	4
1030	2.09	3,600	1,320	1.73	.50	4.37	1.61	3.50	8.50	2.32	3.701	.197	8
1040	3.49	3,600	2,200	2.24	.50	4.63	2.13	3.50	8.50	3.07	4.449	.197	8
1050	6.11	3,600	3,850	2.52	.50	5.43	2.36	4.41	8.50	3.43	4.961	.197	8
1060	9.60	3,600	6,050	3.11	.75	5.93	2.87	5.00	12.99	4.06	5.709	.197	8
1070	14.00	3,600	8,800	3.27	.75	6.37	3.11	5.00	12.99	4.29	6.024	.197	12
1080	28.80	3,600	18,150	3.74	1.06	7.64	3.50	7.24	15.98	4.80	7.008	.197	12
1090	52.40	3,600	33,000	4.25	1.06	8.39	4.02	7.24	15.98	5.59	8.268	.197	12
1100	88.10	2,400	55,550	5.00	1.50	9.84	3.54	7.99	15.98	6.73	9.882	.256	12
1110	131.00	2,250	82,500	5.87	2.00	10.63	4.09	8.27	15.98	7.72	10.906	.256	12
1120	192.00	2,025	121,000	6.05	2.50	12.13	4.69	9.69	15.98	8.86	12.559	.374	12
1130	279.00	1,800	176,000	7.01	3.00	13.62	5.31	10.12	15.98	9.37	13.622	.374	12
1140	401.00	1,650	253,000	7.99	3.50	15.12	5.98	10.51	15.98	10.47	15.197	.374	12
1150	559.00	1,500	352,000	10.00	4.00	17.84	6.81	13.58	14.61	13.15	16.732	.374	14
1160	785.00	1,350	495,000	10.98	4.50	19.74	7.32	14.02	15.98	14.41	17.992	.374	14
1170	1,047.00	1,225	660,000	12.99	5.00	22.30	8.66	15.12	17.52	16.73	20.748	.374	16
1180	1,452.00	1,100	915,200	12.99	4.00	24.80	9.80	15.75	19.29	17.76	23.268	.374	16
1190	1,920.00	1,050	1,210,000	14.25	4.50	26.60	10.98	16.18	20.87	20.00	25.984	.374	18
1200	2,618.00	900	1,650,000	15.00	5.00	29.80	12.01	17.52	22.64	20.87	27.992	.374	18