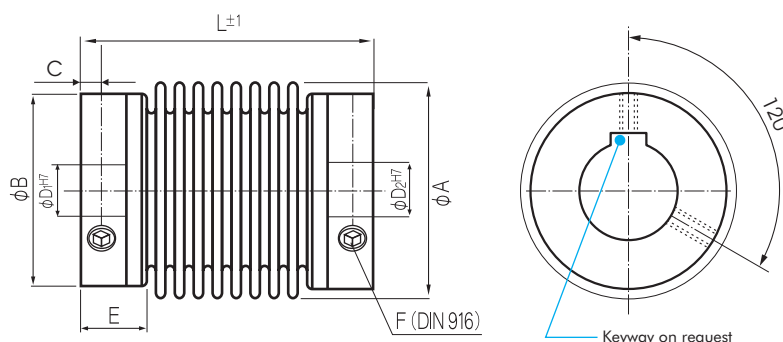


# KBI/i~100

## Miniature Metal Bellows Couplings : KBI Series

### Miniature Metal Bellows Coupling



Order Code: **KB 1 / 45 - 40 - 10 - 18 - S**

Type / Size      Length L      Ø D1      Ø D2      Options

	Torque TKN (Nm)	Dimensions (mm)						Technical Ratings								
		L Length (±1)	Ø A Outer Ø	D1/D2 Bohre Sizes (H7) min ~ max	Ø B Hub Ø	C	E Hub- Length	F Screw (DIN 916) TA (Nm)	Mass (g)	Moment of Inertia J (g cm <sup>2</sup> )	Spring Stiffness			Misalignment		
											torsinal CT (Nm/rad)	radial CR (N/mm)	axial CA (N/mm)	radial ΔKr (mm)	axial ΔKa (mm)	angular ΔKw (°)
KB1/1	0.1	23	10	1-4	10	2	6	M3	3	0.45	65	10	14	0.12	0.2	1.2
								0.5								
KB1/5	0.5	19	15	3-8	13.5	2	6	M3	4	1.3	260	43	13	0.1	0.2	1
		23						4.5	1.5	200	18	10	0.15	0.3	1.5	
		27						5	1.6	160	9	8	0.2	0.4	2	
KB1/10	1	21	15	3-8	13.5	2	6	M3	5.5	1.8	510	74	27	0.1	0.2	1
		25						6	2	380	31	20	0.15	0.3	1.5	
		29						7	2.3	310	16	16	0.2	0.4	2	
KB1/15	1.5	26	19	3-12	19	3	8	M4	10	6	750	59	15	0.1	0.3	1.5
		30						1.5	12	7.4	700	20	9	0.15	0.4	2
KB1/20	2	22	24	3-14	21.5	3	6	M4	11	9.2	1500	67	12	0.15	0.3	1.5
		28						13	12.6	1300	21	11	0.2	0.4	1.5	
		32						1.5	15	13.5	1050	11	9	0.25	0.5	2
KB1/45	4.5	40	32	6-18	29	4	12	M6	44	68	6500	168	32	0.1	0.3	1.5
		48						3	50	79	4200	41	20	0.2	0.5	2
KB1/100	10	45	40	6-24	36	4	12	M6	60	150	8100	120	27	0.15	0.4	1.5
		55						3	79	210	6800	29	17	0.3	0.6	2

- ⊙ Speed: max. 15000 min<sup>-1</sup>
- ⊙ Hub: Bore Tolerance: H7    Keyway acc. DIN 6885 optional
- ⊙ Material: Bellows - Stainless Steel  
Hub - Aluminium (also available in Stainless Steel)
- ⊙ Temperature Range: -30° ~ 120° C

