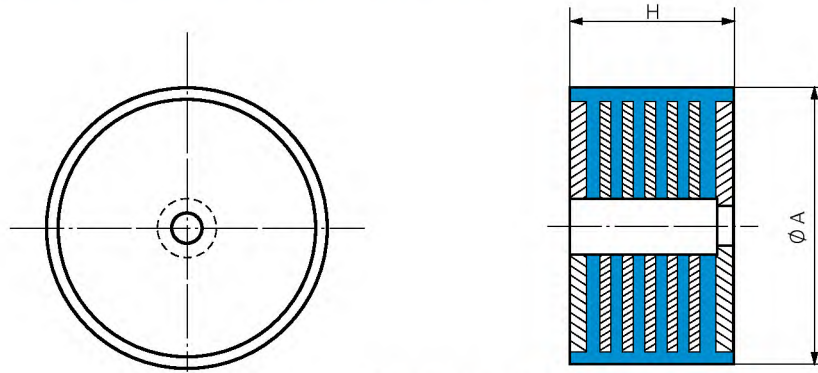


CYLINDRICAL MOUNTINGS

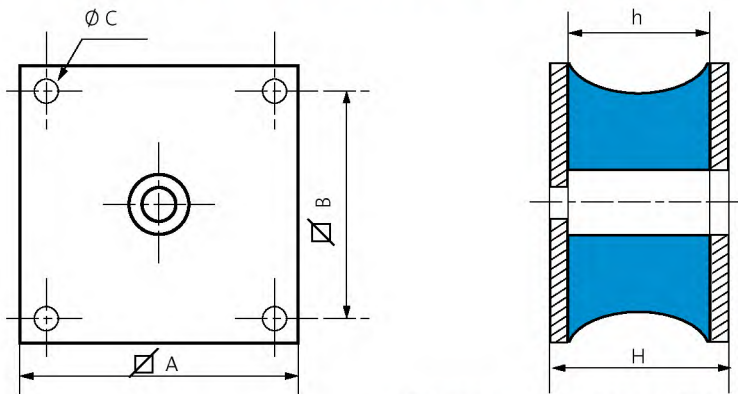


Dimensions can change. Please contact us.

Reference	$\varnothing A$ (mm)	H (mm)	Nominal static load (daN)
539904	115	54	1 500
544051	150	110	12 000
539796	200	94,5	18 000
539983	200	90	5 000
539539	275	275	5 000
539938	320	19	100 000
539937	350	105	110 000
539900	400	117	150 000
544078	600	167	300 000
544079	600	285	433 000
544080	860	300	650 000

Various types of fixing are available. Consult us for information.

DOMINANTLY RADIAL MOUNTINGS



Dimensions can change. Please contact us.

Reference	$\varnothing A$ (mm)	h (mm)	$\varnothing B$ (mm)	H (mm)	$\varnothing C$ (mm)	Shear		Compression (daN)
						(mm)	(daN)	
534646	150	62	120	70	12,5	20	200	1 500
534647	150	62	120	70	12,5	20	150	1 000
534455	232	74	190	86	16,5	25	500	2 000
534456	232	74	190	86	16,5	25	625	3 500
539898*	180	88	146	100	13	10	400	3 000
539917*	180	66	146	76	13	10	250	1 500
539940	300 x 480	318	430 x 219	350	18	70	4 500	13 000
539806	360 x 200	100	330 x 170	120	18	30	1 200	3 000
544051*	240 x 160	100	190 x 110	110	17	50	1 800	10 000

* Multilayer laminated part.

Various types of fixing are available. Please consult us for information.