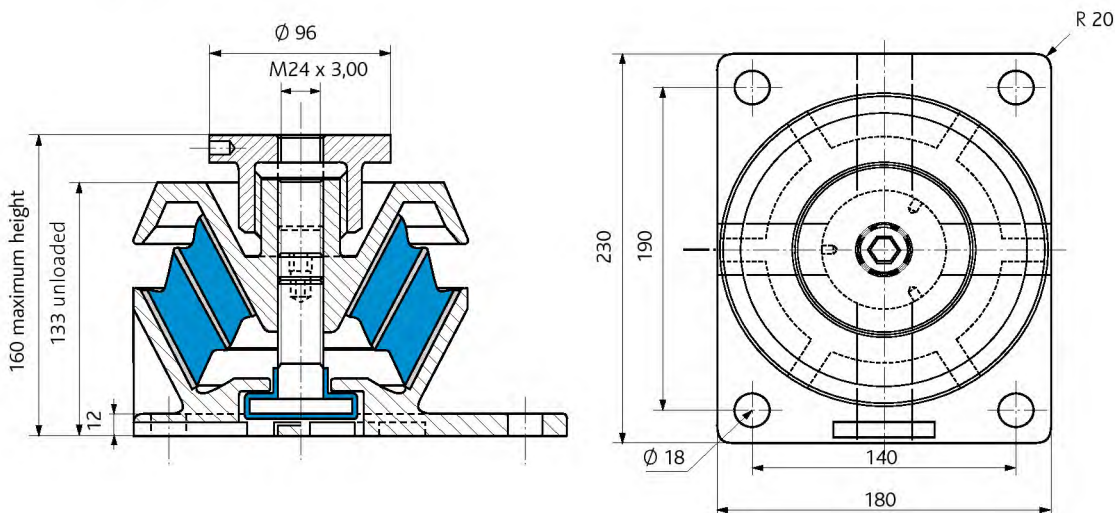


# OPERATING CHARACTERISTICS AND DIMENSIONS

- Load range :  
Please refer to the chart below for the different variants and their colour marking.
- Deflection under static load : 6,5 to 11 mm  
Natural frequency : 5 to 6,5 Hz.
- Maximum displacement :  
Vertical (Axial) :  $\pm 6$  mm.  
Lateral (Radial) :  $\pm 4$  mm.
- Structural resistance :  
Vertical (Axial) :  $\pm 4$  g.  
Lateral (Radial) :  $\pm 2$  g.
- Operating temperatures : - 10°C up to + 70°C.
- Unit weight : 11.5 to 12.8 kg (depending on the variant).

Load range (daN)	Variant	Colour
600 - 850	12	White
850 - 1 150	13	Yellow
1 100 - 1 450	14	Green
1 400 - 1 900	15	Blue
1 700 - 2 300	16	Purple



Reference 905202

## ASSEMBLY

The installation of these mounts and the adjustments of their limit stops once loaded are detailed in an assembly procedure supplied with the mounts.

