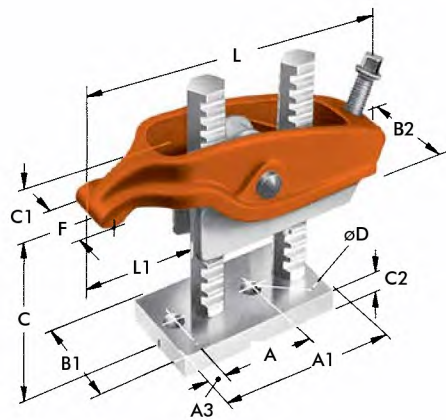
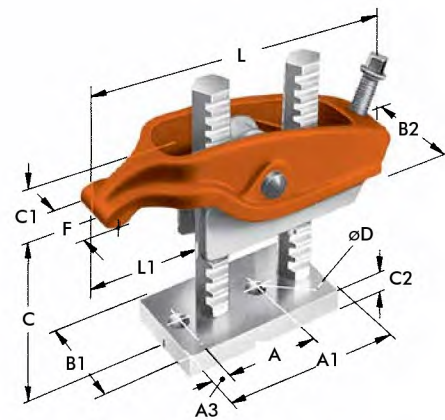


T-SLOT SERIES

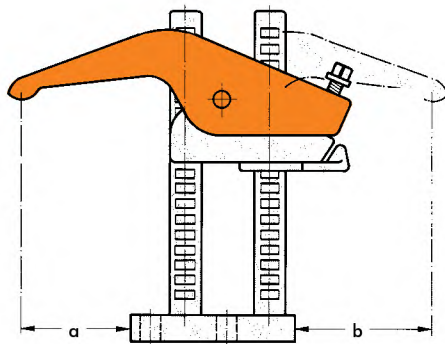
CARVER Clamps | Dimensions



Model **T400-..**



Model **T402-..**



If the T402 is reversed on its base, the measurement of the throat depth will change.

	T400-..	T402-..
a	[0.55] 14	[1.73] 44
b	[1.30] 33	[2.68] 68

Model	A	A1	A3	B1	B2	C		C1	C2	ØD	F	L	L1	Consisting of		Clamping Screw Size Ø
						min	max							1x	1x	
T400-4						[1.00] 25	[4.00] 100							400-4-1		
T400-6	[2.12] 54	[3.78] 96,2	[0.41] 10,5	[2.00] 51	[2.00] 51	[1.00] 25	[6.00] 150	[1.09] 28	[0.63] 16	[0.53] 13,5	[1.02] 26	[6.30] 160	[1.44] 36,5	400-2	400-6-1	12mm
T400-8						[2.50] 62	[8.00] 200							400-8-1		
T402-6						0	[6.00] 150							402-6-1		
T402-12						0	[1200] 300							402-12-1		
T402-18	[2.81] 71	[5.51] 140	[0.59] 15	[3.00] 76	[2.68] 68	[6.00] 150	[18.00] 450	[1.77] 45	[0.75] 19	[0.66] 16,3	[1.50] 38	[9.65] 245	[2.56] 65	402-2	402-18-1	20mm
T402-24						[12.00] 300	[24.00] 600							402-24-1		

① Available upon request