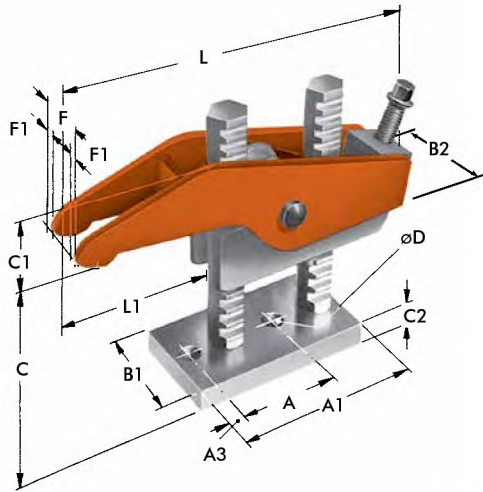


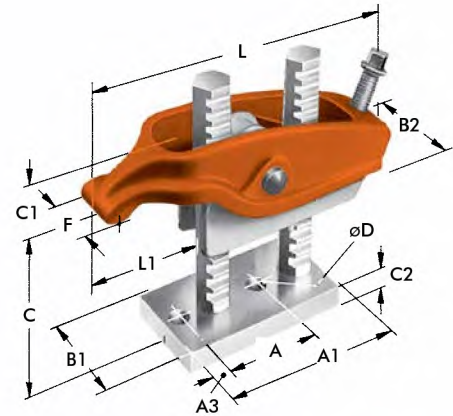
# T-SLOT SERIES

## CARVER Clamps | Dimensions

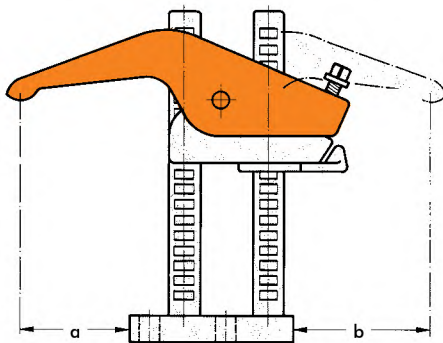


Model

T600-..



Model T602-..



If the T602 is reversed on its base, the measurement of the throat depth will change.

	T600-..	T602-..
a	[2.24] 57	[3.90] 99
b	[2.87] 73	[4.84] 123

Model	A	A1	A3	B1	B2	C		C1	C2	ØD	F	F1	L	L1	Consisting of		Clamping Screw Size Ø	
						min	max								1x	1x		
T600-4						[0.47] 12	[4.00] 100									600-4-1		
T600-6	[2.12] 54	[3.78] 96,2	[0.41] 10,5	[2.00] 51	[1.97] 50	[0.47] 12	[6.00] 150	[1.50] 38	[0.63] 16	[0.53] 13,5	[1.97] 50	[0.41] 10,5	[7.88] 200	[3.35] 85	600-2	600-6-1	12mm	
T600-8						[1.97] 50	[8.00] 200									600-8-1		
T602-6						0	[6.00] 150										402-6-1	
T602-12	[2.81] 71	[5.51] 140	[0.59] 15	[3.11] 79	[3.11] 79	0	[1200] 300	[3.19] 81	[0.75] 19	[0.66] 16,3	[1.50] 38	-	[12.40] 315	[5.31] 135	602-2	402-12-1	20mm	
① T602-18						[6.00] 150	[18.00] 450										402-18-1	

① Available upon request