

## **iwis**® Grip chains according to ISO 606

Gripping, retracting, transporting soft foils

### PROBLEM/INITIAL SITUATION

Reliable feeding, transporting and positioning of thin-walled materials with a large area.

### OUR SOLUTION

iwis high performance grip chains with wear- and corrosion-resistant clamping elements. **Exclusively from iwis. Patented for iwis.**

### FLYER

For more information please see our specific product flyer available in our download area.



### HIGHLIGHTS

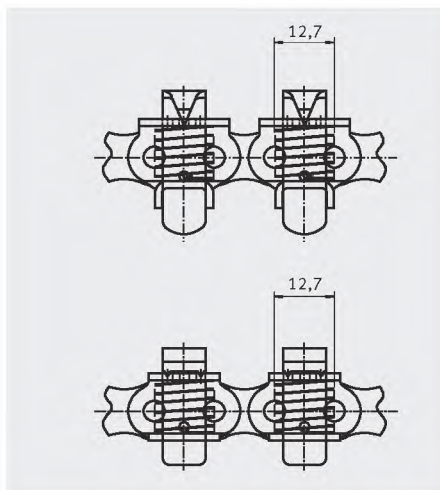
- iwis high performance chain with excellent wear resistance
- Marginal initial elongation due to optimal pre-stretching
- High rigidity enables applications also in long machines
- Basic chain chemical nickel-plated
- Flawless operating parallel as well as synchronously running chains due to practically identical chain lengths
- All chains are provided with reliable, high quality initial lubrication, approved for use in the food industry
- Differing levels of spring force allow an extremely wide range of materials to be gripped gently
- Complete chain solution – ready-to-install

### TECHNICAL FEATURES

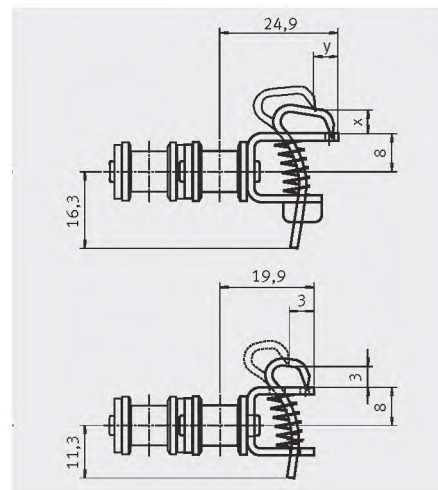
- Single or double chain 1/2 x 5/16 or 5/8 x 3/8 inch according to ISO 606
- Gripper with 1 or 2 tips designed as flat clamps or button grip elements, special designs on request
- Retaining force is dependent on material conveyed and spring design – differing number of coils and wire spring diameters obtainable
- The gripper opens by running against a control disc (e.g. chain wheel hub) which causes it to swivel out of the way to the outside
- Recommended max application speed is 2 m/s

### AREAS OF APPLICATION

- Packaging industry, especially foil packaging
  - Electronic industry and manufacture of printed circuit boards
  - Feeding in thin-walled sheet, plastics and other hard materials
- ... and everywhere where plate and sheet type materials are drawn in or off, transported or positioned, e.g. for punching, welding, filling, coating, cutting, stretching, shaping, sealing etc.



Dimensions x and y dependent on the spring used, on request



Ref. no. iwis	Pitch P (mm)	Weight q (kg/m)
Simple chain L 85 Grip	12,7	1,15
Double chain D 85 Grip	12,7	1,80

