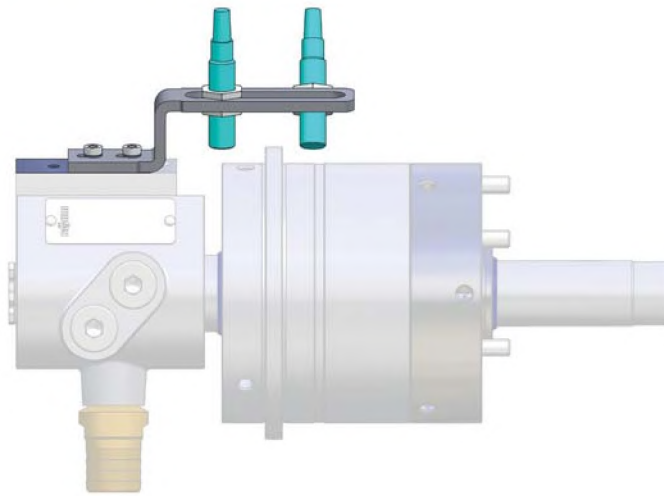


Stroke Monitors OVS

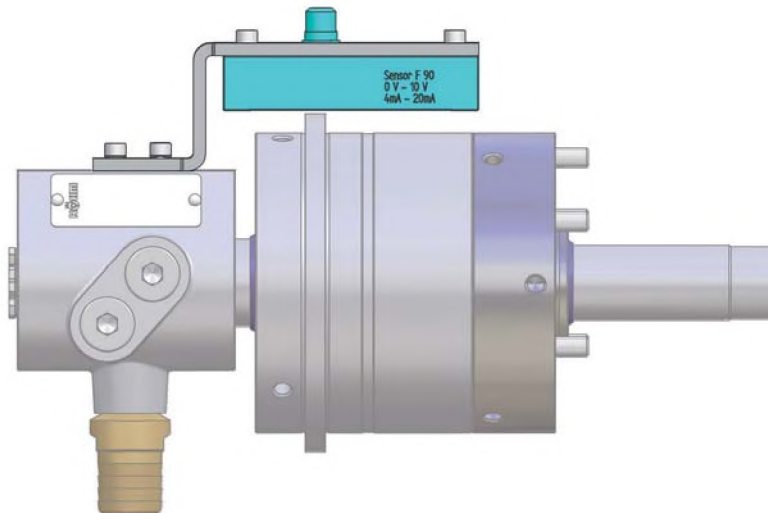


C 15

OVS-stroke monitoring by inductive proximity switches (Limit switch not included in the scope of delivery)

| Item no. | Size |
|----------|---------|
| 1159712 | OVS 85 |
| 1159713 | OVS 105 |
| 1159714 | OVS 130 |
| 1159715 | OVS 150 |
| 1159716 | OVS 200 |

Order cylinder separately
External rotary feed-throughs fitting Deublin/Rotoflux



Oil-operated cylinders without through-hole

C 15

OVS-stroke monitoring linear, inductive F90 (F90 system included)

| Item no. | Size |
|----------|---------|
| 1159707 | OVS 85 |
| 1159708 | OVS 105 |
| 1159709 | OVS 130 |
| 1159710 | OVS 150 |
| 1159711 | OVS 200 |

Order cylinder separately
External rotary feed-throughs fitting Deublin/Rotoflux