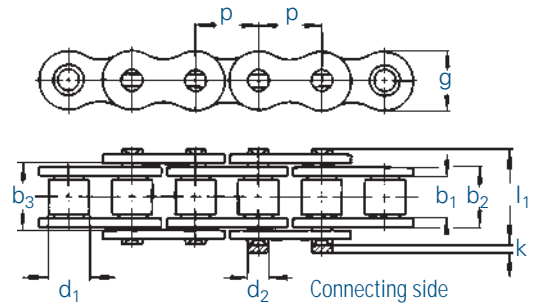


**SIMPLEX ROLLER CHAINS ACCORDING TO DIN 8187-1 (EUROPEAN TYPE)**

corresponding to ISO 606



Chain		DIN	Pitch		Inner width b <sub>1</sub> min.	Inner link width b <sub>2</sub> max.	Outer plate width b <sub>3</sub> min.	Roller Ø d <sub>1</sub> max.	Pin Ø d <sub>2</sub> max.	Plate height g max.	Projection over connecting link k max.	Width over pin l <sub>1</sub> max.	Bearing area f	Minimum tensile strength DIN F <sub>B</sub> min.	Minimum tensile strength F <sub>B</sub> min.	Weight q ≈	Connecting links
No.	Ind.		mm	inch													
440		03	5,0	-	2,50	4,15	4,25	3,20	1,49	4,1	2,5	7,4	0,06	2,2	2,2	0,08	11,15
445		04	6,0	-	2,80	4,10	4,20	4,00	1,85	5,0	2,9	7,4	0,08	3,0	3,0	0,15	11,15
450		05 B-1	8,0	-	3,00	4,77	4,90	5,00	2,31	7,1	3,1	8,6	0,11	5,0	5,5	0,18	11,15
453		-	9,525	3/8	3,30	5,45	5,58	6,00	2,78	9,0	3,1	9,6	0,15	8,0	8,2	0,26	11,15,111
454		-	9,525	3/8	3,94	6,70	6,83	6,35	3,28	9,0	3,3	11,6	0,22	9,0	9,4	0,36	11,12,15
455	<sup>1</sup>	06 B-1	9,525	3/8	5,72	8,53	8,66	6,35	3,28	8,2	3,3	13,5	0,28	9,0	9,6	0,41	11,12,15
331		081	12,7	1/2	3,30	5,80	5,93	7,75	3,66	9,9	1,5	10,2	0,21	8,2	9,1	0,28	11,12,15
332		-	12,7	1/2	4,88	7,20	7,33	7,75	3,66	9,9	1,5	11,2	0,26	8,2	9,1	0,33	11,12,15
110		082	12,7	1/2	2,38	4,60	4,73	7,75	3,66	9,9	-	8,2	0,17	10,0	10,0	0,26	15,111
17		083	12,7	1/2	4,88	7,90	8,03	7,75	4,09	10,3	1,5	12,9	0,32	12,0	13,2	0,42	11,12,15
385		-	12,7	1/2	6,40	9,78	9,91	7,75	3,97	11,5	3,9	15,4	0,38	16,0	17,1	0,50	11,12,15
461		-	12,7	1/2	6,40	9,93	10,06	8,51	4,45	11,8	3,9	15,8	0,44	18,0	18,6	0,66	11,12,15
462		08 B-1	12,7	1/2	7,75	11,30	11,43	8,51	4,45	11,8	3,9	17,0	0,50	18,0	18,6	0,70	11,12,15
500		-	15,875	5/8	6,48	10,08	10,21	10,16	5,08	14,7	4,1	16,4	0,51	22,4	27,5	0,78	11,12,15
501		10 B-1	15,875	5/8	9,65	13,28	13,41	10,16	5,08	14,7	4,1	19,6	0,67	22,4	27,0	0,91	11,12,15
513		12 B-1	19,05	3/4	11,68	15,62	15,75	12,07	5,72	16,1	4,6	22,7	0,89	29,0	31,0	1,18	11,12,15
548		16 B-1	25,4	1	17,02	25,40	25,60	15,88	8,28	21,0	5,4	36,1	2,10	60,0	72,0	2,68	11,111,12
552		-	30,0	-	17,02	25,40	25,60	15,88	8,28	21,0	5,4	36,1	2,10	60,0	72,0	2,50	11,111,12
563		20 B-1	31,75	1 1/4	19,56	29,00	29,20	19,05	10,19	26,4	6,1	43,2	2,96	95,0	105,0	3,50	11,111,12
596		24 B-1	38,1	1 1/2	25,40	37,90	38,20	25,40	14,63	33,4	6,6	53,4	5,54	160,0	180,0	6,80	111,12
613		28 B-1	44,45	1 3/4	30,99	46,50	46,80	27,94	15,90	37,0	7,4	65,1	7,39	200,0	230,0	8,50	111,12
652		32 B-1	50,8	2	30,99	45,50	45,80	29,21	17,81	42,2	7,9	67,4	8,10	250,0	276,0	10,50	111,12
671		40 B-1	63,5	2 1/2	38,10	55,70	56,00	39,37	22,89	52,9	10,0	82,6	12,75	355,0	405,0	16,40	111,12
679		48 B-1	76,2	3	45,72	70,50	71,00	48,26	29,24	63,8	10,0	99,1	20,61	560,0	630,0	25,00	111

Electrogalvanised or nickel-plated chains on request. In this case chains may only have 80 % of the tensile strength.

<sup>1</sup> with straight side plates

For details on orders and enquiries see page 128. Standard sprockets as of page 75. Information on the selection of chain sizes and drives as of page 115.

**Connecting links: According to DIN (...)**



No. 4 (B)

Inner link



No. 7 (A)

Outer link  
(to be riveted)



No. 11 (E)

Spring clip  
connecting link



No. 111 (S)

Connecting link with  
cottered pin



No. 12 (L)

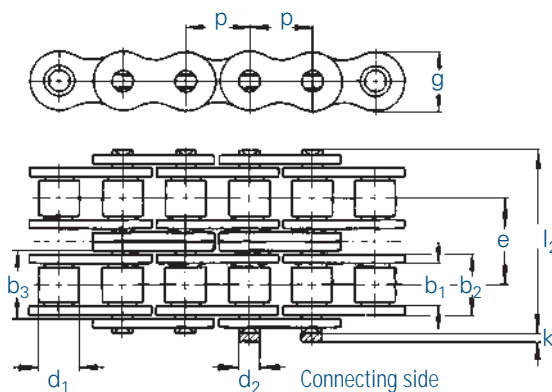
Single  
cranked link



No. 15 (C)

Double  
cranked link

DUPLEX ROLLER CHAINS ACCORDING TO DIN 8187-1 (EUROPEAN TYPE)  
corresponding to ISO 606



Chain		DIN	Pitch		Inner width b <sub>1</sub> min.	Inner link width b <sub>2</sub> max.	Outer plate width b <sub>3</sub> min.	Roller Ø d <sub>1</sub> max.	Pin Ø d <sub>2</sub> max.	Transverse pitch e	Plate height g max.	Projection over connecting link k max.	Width over pin l <sub>2</sub> max.	Bearing area f	Minimum tensile strength DIN F <sub>B</sub> min.	Minimum tensile strength F <sub>B</sub> min.	Weight q ≈	Connecting links
No.	Ind.		No.	mm														
D 445		-	6,0	-	2,80	4,10	4,25	4,00	1,85	5,50	5,0	2,9	13,3	0,14	5,0	5,0	0,23	11,15
D 450		05 B-2	8,0	-	3,00	4,77	4,90	5,00	2,31	5,64	7,1	3,1	14,3	0,22	7,8	8,2	0,36	11,15
D 455	<sup>1</sup>	06 B-2	9,525	3/8	5,72	8,53	8,66	6,35	3,28	10,24	8,2	3,3	23,8	0,56	16,9	17,4	0,78	11,12,15
D 462		08 B-2	12,7	1/2	7,75	11,30	11,43	8,51	4,45	13,92	11,8	3,9	31,0	1,01	32,0	37,0	1,36	11,12,15
D 501		10 B-2	15,875	5/8	9,65	13,28	13,41	10,16	5,08	16,59	14,7	4,1	36,2	1,34	44,5	54,0	1,82	11,12,15
D 513		12 B-2	19,05	3/4	11,68	15,62	15,75	12,07	5,72	19,46	16,1	4,6	42,2	1,79	57,8	63,0	2,38	11,12,15
D 548		16 B-2	25,4	1	17,02	25,40	25,60	15,88	8,28	31,88	21,0	5,4	68,0	4,21	106,0	140,0	5,30	11,111,12
D 563		20 B-2	31,75	1 1/4	19,56	29,00	29,20	19,05	10,19	36,45	26,4	6,1	79,0	5,91	170,0	210,0	7,30	11,111,12
D 596		24 B-2	38,1	1 1/2	25,40	37,90	38,20	25,40	14,63	48,36	33,4	6,6	101,0	11,09	280,0	360,0	13,40	111,12
D 613		28 B-2	44,45	1 3/4	30,99	46,50	46,80	27,94	15,90	59,56	37,0	7,4	124,0	14,79	360,0	443,0	16,60	111,12
D 652		32 B-2	50,8	2	30,99	45,50	45,80	29,21	17,81	58,55	42,2	7,9	126,0	16,21	450,0	530,0	21,00	111,12
D 671		40 B-2	63,5	2 1/2	38,10	55,70	56,00	39,37	22,89	72,29	52,9	10,0	154,0	25,50	630,0	806,0	32,60	111,12
D 679		48 B-2	76,2	3	45,72	70,50	71,00	48,26	29,24	91,21	63,8	10,0	190,0	41,23	1000,0	1100,0	50,00	111

Electrogalvanised or nickel-plated chains on request. In this case chains may only have 80 % of the tensile strength.

<sup>1</sup> with straight side plates

For details on orders and enquiries see page 128. Standard sprockets as of page 75. Information on the selection of chain sizes and drives as of page 115.

Connecting links: According to DIN (...)



No. 4 (B)  
Inner link



No. 7 (A)  
Outer link  
(to be riveted)



No. 11 (E)  
Spring clip  
connecting link



No. 111 (S)  
Connecting link with  
cottered pin



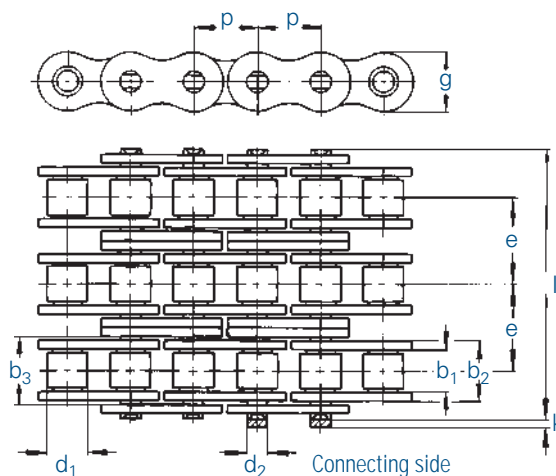
No. 12 (L)  
Single  
cranked link



No. 15 (C)  
Double  
cranked link

TRIPLEX ROLLER CHAINS ACCORDING TO DIN 8187-1 (EUROPEAN TYPE)

corresponding to ISO 606



Chain		DIN	Pitch		Inner width b <sub>1</sub> min.	Inner link width b <sub>2</sub> max.	Outer plate width b <sub>3</sub> min.	Roller Ø d <sub>1</sub> max.	Pin Ø d <sub>2</sub> max.	Transverse pitch e	Plate height g max.	Projection over connecting link k max.	Width over pin l <sub>3</sub> max.	Bearing area f	Minimum tensile strength DIN F <sub>B</sub> min.	Minimum tensile strength F <sub>B</sub> min.	Weight q ≈	Connecting links
No.	Ind.		No.	mm														
T 450		05 B-3	8,0	-	3,00	4,77	4,90	5,00	2,31	5,64	7,1	3,1	19,9	0,33	11,1	11,1	0,54	11,15
T 455	<sup>1</sup>	06 B-3	9,525	3/8	5,72	8,53	8,66	6,35	3,28	10,24	8,2	3,3	34,0	0,81	24,9	24,9	1,18	11,12,15
T 462		08 B-3	12,7	1/2	7,75	11,30	11,43	8,51	4,45	13,92	11,8	3,9	44,9	1,51	47,5	56,0	2,01	11,12,15
T 501		10 B-3	15,875	5/8	9,65	13,28	13,41	10,16	5,08	16,59	14,7	4,1	52,8	2,02	66,7	80,0	2,70	11,12,15
T 513		12 B-3	19,05	3/4	11,68	15,62	15,75	12,07	5,72	19,46	16,1	4,6	61,7	2,68	86,7	94,0	3,12	11,12,15
T 548		16 B-3	25,4	1	17,02	25,40	25,60	15,88	8,28	31,88	21,0	5,4	99,9	6,31	160,0	211,0	7,50	11,111,12
T 563		20 B-3	31,75	1 1/4	19,56	29,00	29,20	19,05	10,19	36,45	26,4	6,1	116,0	8,87	250,0	300,0	10,60	11,111,12
T 596		24 B-3	38,1	1 1/2	25,40	37,90	38,20	25,40	14,63	48,36	33,4	6,6	150,0	16,63	425,0	523,0	20,00	111,12
T 613		28 B-3	44,45	1 3/4	30,99	46,50	46,80	27,94	15,90	59,56	37,0	7,4	184,0	22,18	530,0	660,0	25,00	111,12
T 652		32 B-3	50,8	2	30,99	45,50	45,80	29,21	17,81	58,55	42,2	7,9	184,0	24,31	670,0	800,0	32,00	111,12
T 671		40 B-3	63,5	2 1/2	38,10	55,70	56,00	39,37	22,89	72,29	52,9	10,0	227,0	38,25	950,0	1140,0	48,70	111,12
T 679		48 B-3	76,2	3	45,72	70,50	71,00	48,26	29,24	91,21	63,8	10,0	281,0	61,84	1500,0	1720,0	75,00	111

Electrogalvanised or nickel-plated chains on request. In this case chains may only have 80 % of the tensile strength.

<sup>1</sup> with straight side plates

For details on orders and enquiries see page 128. Standard sprockets as of page 75. Information on the selection of chain sizes and drives as of page 115.

Connecting links: According to DIN (...)



No. 4 (B)  
Inner link



No. 7 (A)  
Outer link  
(to be riveted)



No. 11 (E)  
Spring clip  
connecting link



No. 111 (S)  
Connecting link with  
cottered pin



No. 12 (L)  
Single  
cranked link



No. 15 (C)  
Double  
cranked link