



ZETASASSI® 1979 - 2019 40 Years Made of Quality

www.zetasassi.com Made in Italy Consegna - Delivery - Livraison - Entrega 12/24h



TFR1AC



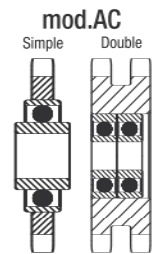
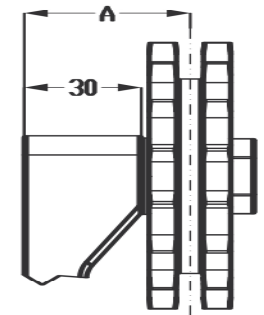
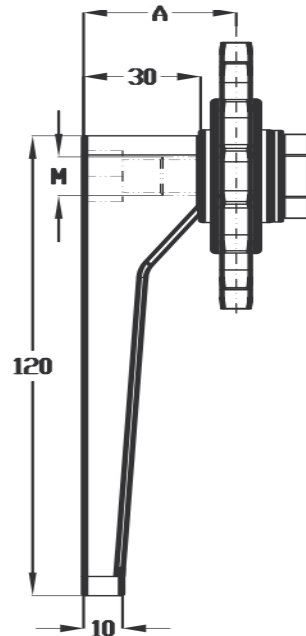
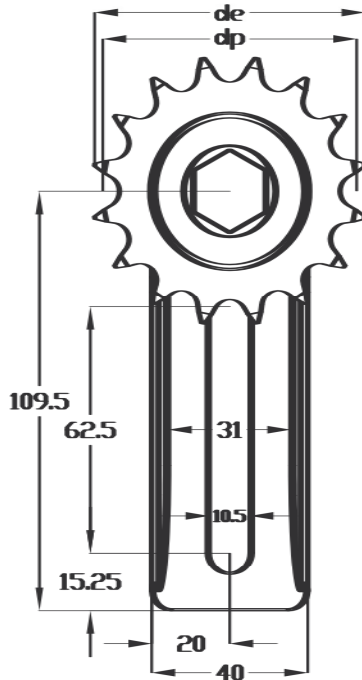
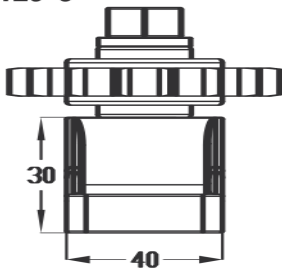
Tendicatena lineari regolabili TFR1 costituiti da leva in mescola di alluminio, provvisti di foro o filetto per il montaggio di qualsiasi accessorio. Forniti di pignone tendicatena folle e cuscinetti con doppia schermatura modello AC.

TFR1 linear adjustable chain tensioners consisting of a lever in aluminum compound, equipped with hole or thread for assembly of any accessory. Equipped with idle chain tensioner pinion and double shielded bearings model AC.

Tensores de cadena lineales regulables TFR1 constituidos por palanca de compuesto de aluminio, dotados de agujero o rosca para el montaje de cualquier accesorio. Dotados de piñón tensor de cadena y rodamientos con doble blindaje modelo AC.



Range
-20°+120°C

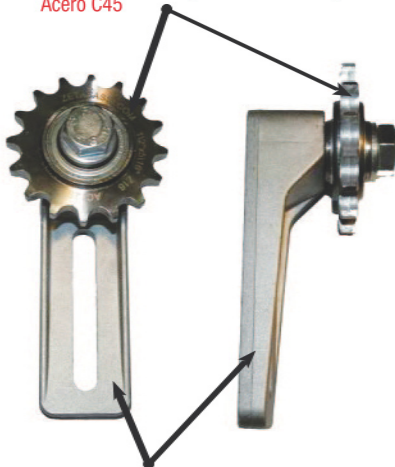


Su richiesta: dentature, cuscinetti, differenti.
On request, different teeth, bearings, can be supplied.
Autres dentures, coussinets, possibles sur commande.

A petición: dentados, rodamientos, diferentes.

Acciaio C45
Steel C45
Acier C45
Acero C45

Su richiesta in acciaio zincato
On request galvanized steel
Sur demande acier galvanisé
A petición, de acero galvanizado



Alluminio
Aluminium
Aluminium
Aluminio

| COD | PASSO CATENA | DENTI | de | dp | Cuscinetto | A | M | Kg | |
|--|-------------------|---------|----|------|-------------|---------------|---------------|-------------|-------------|
| | CHAIN PITCH | TEETH | | | Bearings | | | | |
| | PASO DE LA CADENA | DIENTES | | | Roulements | | | | |
| | PAS DE LA CHAÎNE | DENTS | | | Rodamientos | | | | |
| 3/8" | | | | | | | | | |
| TFR1AC38S | 3/8" x 7/32" | 06B1 | 21 | 68 | 63,9 | 203 KRR AH02 | 39,1 | M12x1,75 35 | 0,34 |
| TFR1AC38D | | 06B2 | | | | N°2= 6200 2RS | 41 | M10x1,5 40 | 0,48 |
| 1/2" | | | | | | | | | |
| TFR1AC12SZ14 | 1/2" x 5/16" | 08B1 | 14 | 61,8 | 57,07 | 203 KRR AH02 | 39,1 | M12x1,75 35 | 0,36 |
| TFR1AC12S | | 08B1 | 16 | 69,5 | 65,1 | 203 KRR AH02 | 39,1 | M12x1,75 35 | 0,37 |
| TFR1AC12D | | 08B2 | | | | | N°2= 6200 2RS | 42,5 | M10x1,5 40 |
| 5/8" | | | | | | | | | |
| TFR1AC58S | 5/8" x 3/8" | 10B1 | 17 | 93 | 86,39 | 203 KRR AH02 | 39,1 | M12x1,75 35 | 0,56 |
| TFR1AC58D | | 10B2 | | | | | N°2= 6201 2RS | 45,3 | M12x1,75 45 |
| 3/4" | | | | | | | | | |
| TFR1AC34SZ13 | 3/4" x 7/16" | 12B1 | 13 | 87,5 | 79,59 | 203 KRR AH02 | 39,1 | M12x1,75 35 | 0,64 |
| TFR1AC34S | | 12B1 | 15 | 99,8 | 91,63 | 203 KRR AH02 | 39,1 | M12x1,75 35 | 0,67 |
| TFR1AC34D | | 12B2 | | | | | N°2= 6301 2RS | 47,6 | M12x1,75 45 |
| 1" | | | | | | | | | |
| TFR1AC1S | 1" x 17 mm | 16B1 | 12 | 109 | 98,14 | 204 KRR | 41,3 | M12x1,75 40 | 0,95 |
| DENTI TEMPRATI-HARDENED TEETH-DENTS TREMPÉES-DIENTES TEMPLADOS | | | | | | | | | |
| TFR1AC38STE | 3/8" x 7/32" | 06B1 | 21 | 68 | 63,9 | 203 KRR AH02 | 39,1 | M12x1,75 35 | 0,34 |
| TFR1AC12STE | 1/2" x 5/16" | 08B1 | 16 | 69,5 | 65,1 | 203 KRR AH02 | 39,1 | M12x1,75 35 | 0,37 |
| TFR1AC58STE | 5/8" x 3/8" | 10B1 | 17 | 93 | 86,39 | 203 KRR AH02 | 39,1 | M12x1,75 35 | 0,56 |
| TFR1AC34STE | 3/4" x 7/16" | 12B1 | 15 | 99,8 | 91,63 | 203 KRR AH02 | 39,1 | M12x1,75 35 | 0,67 |
| TFR1AC1STE | 1" x 17 mm | 16B1 | 12 | 109 | 98,14 | 204 KRR | 41,3 | M12x1,75 40 | 0,95 |

B2B www.zetasassi.com

Made in Italy