

Type 6014

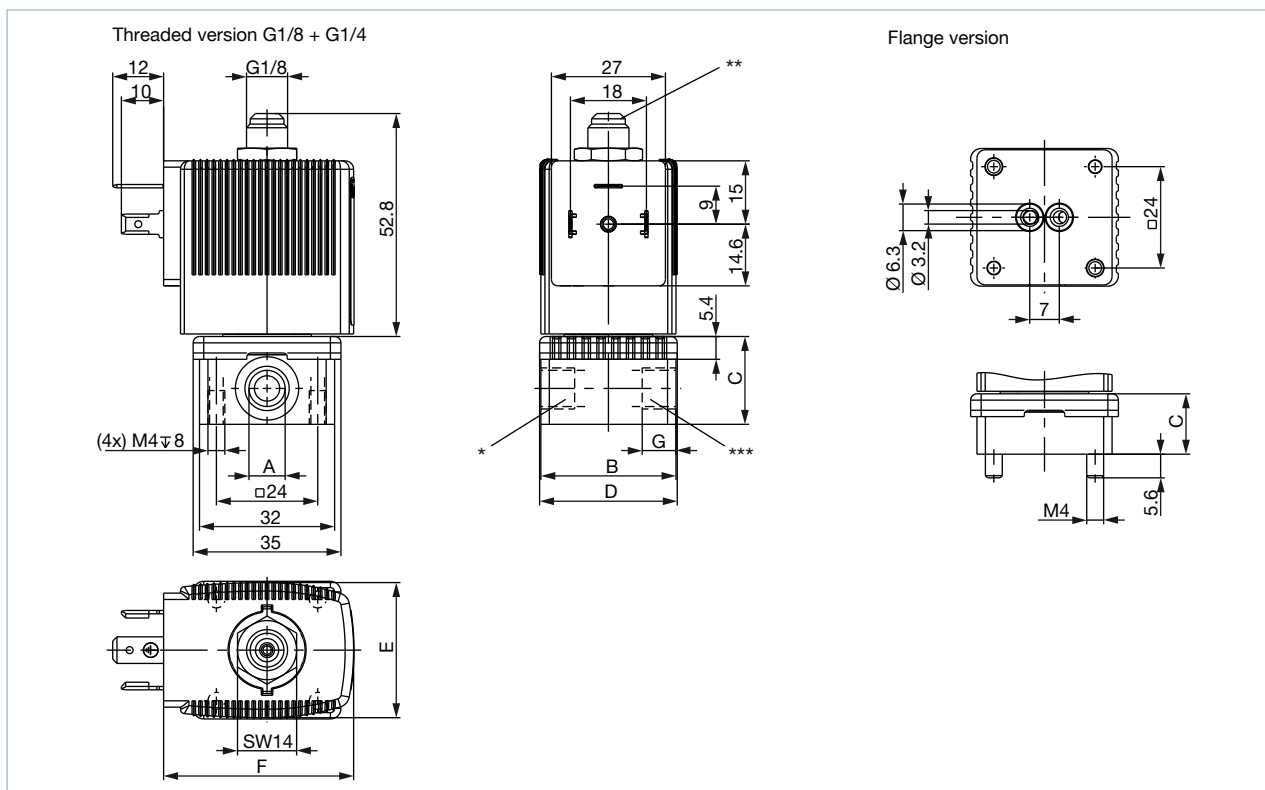
bürkert

5. Dimensions

5.1. Standard version

Note:

Dimensions in mm



| Port connection | A [inch] | B [mm] | C [mm] | D [mm] | G [mm] |
|----------------------------------|-------------|-----------|-----------|-----------|-----------|
| Threaded without manual override | G 1/8 | 32 | 20.8 | 32.6 | 8 |
| | G 1/4 | 46 | 26.8 | 49 | 12 |
| Threaded with manual override | G 1/8 | 32 | 20.8 | 32.6 | 8 |
| | G 1/4 | 46 | 26.8 | 49 | 12 |
| Sub-base | - | 32 | 14.3 | 32.6 | - |

| Coil size | E [mm] | F [mm] |
|-----------|-----------|-----------|
| 5 | 32 | 45 |
| 6 | 40 | 51 |

PIN Assignments

For the positions marked with *, ** or *** in the drawing, the connections are marked with the letters shown in the table above, depending on the circuit function. Unused circuit functions A or B connections will be closed off with a blanking plug or cap nut.

| Circuit function | Connection Type | | |
|------------------|-----------------|-----------|-----|
| | * | ** | *** |
| A | P | blank off | A |
| B | blank off | B | P |
| C | P | R | A |
| D | R | P | B |
| T | P | R | A |

Visit product website ►

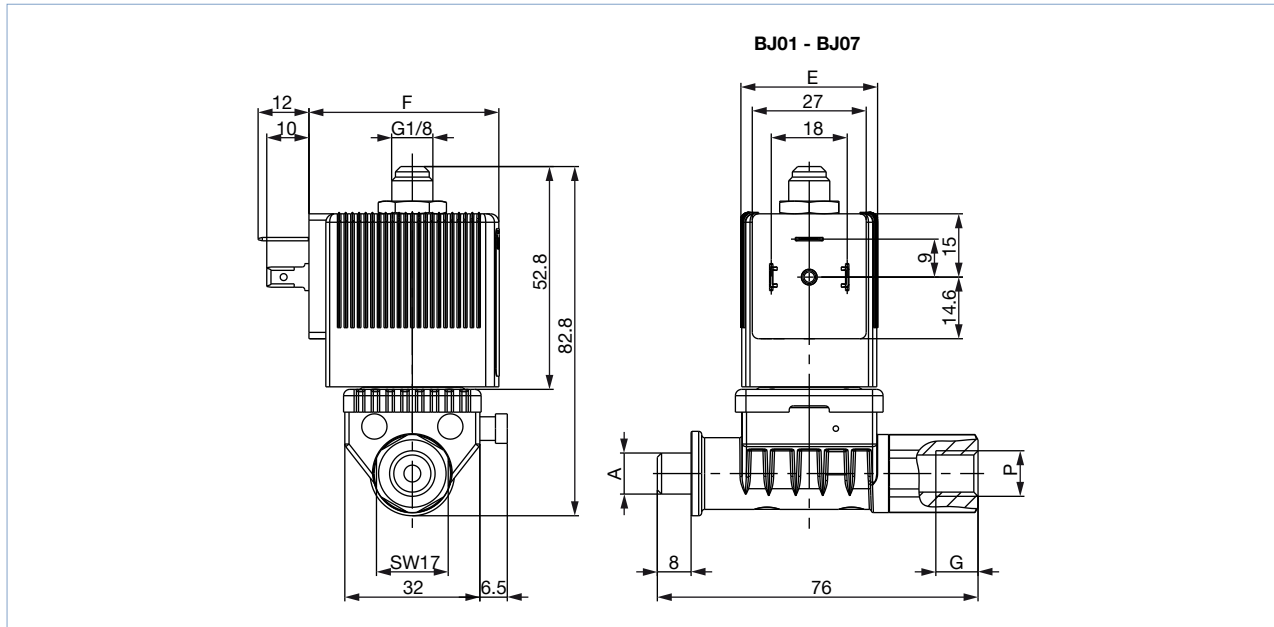
Type 6014

bürkert

5.2. Banjo version

Note:

Dimensions in mm



| Port connection | A | P | G | Other features |
|-----------------|--------|---------|------|------------------|
| | [inch] | [inch] | [mm] | |
| BJ01 | G 1/8 | G 1/8 | 10 | - |
| BJ02 | G 1/4 | G 1/4 | 10 | - |
| BJ03 | G 1/8 | NPT 1/4 | 10 | 1 marking groove |
| BJ04 | G 1/4 | NPT 1/4 | 10 | 1 marking groove |
| BJ05 | G 1/8 | G 1/4 | 10 | - |
| BJ06 | G 1/4 | G 1/8 | 10 | - |
| BJ07 | G 1/8 | NPT 1/8 | 10 | 1 marking groove |

| Coil size | E | F |
|-----------|------|------|
| | [mm] | [mm] |
| 5 | 32 | 45 |
| 6 | 40 | 51 |

DTS 1000011035 EN Version: Q Status: RL (released | freigegeben | validé) printed: 21.10.2021

Visit product website ▶

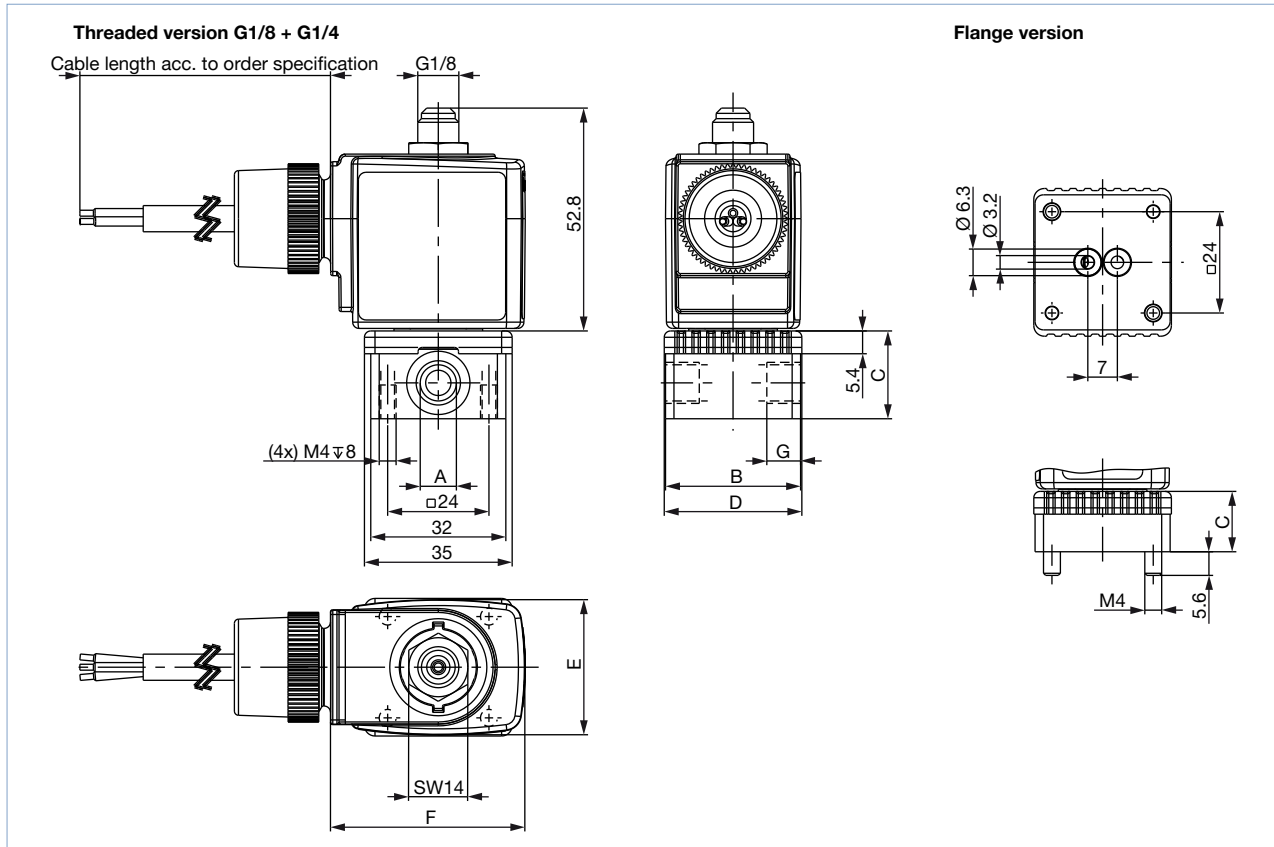
Type 6014

bürkert

5.3. ATEX/IECEX m cable version

Note:

Dimensions in mm



| Port connection | A | B | C | D | G |
|------------------|--------|------|------|------|------|
| | [inch] | [mm] | [mm] | [mm] | [mm] |
| Threaded version | G 1/8 | 32 | 20.8 | 32.6 | 8 |
| | G 1/4 | 46 | 26.8 | 49 | 12 |
| Sub-base version | - | 32 | 14.3 | 32.6 | - |

| Coil size | E | F |
|-----------|------|------|
| | [mm] | [mm] |
| 5 | 32 | 46 |
| 6 | 40 | 52 |

DTS 1000011035 EN Version: Q Status: RL (released | valide) | freigegeben | printed: 21.10.2021

Visit product website ▶

10 | 25

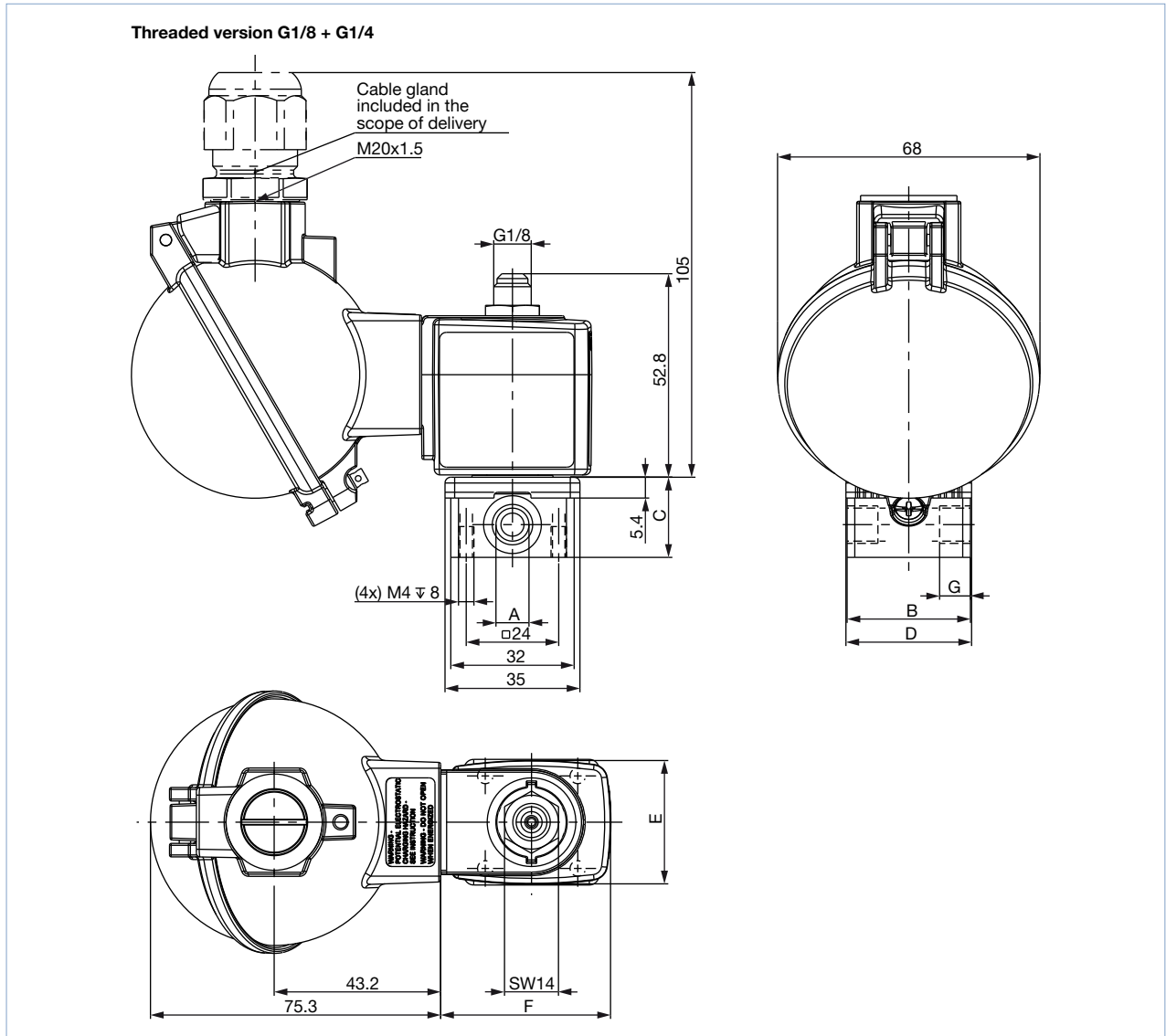
Type 6014

bürkert

5.4. ATEX/IECEX m junction box version

Note:

Dimensions in mm



| Port connection | A [inch] | B [mm] | C [mm] | D [mm] | G [mm] |
|------------------|-------------|-----------|-----------|-----------|-----------|
| Threaded version | G 1/8 | 32 | 20.8 | 32.6 | 8 |
| | G 1/4 | 46 | 26.8 | 49 | 12 |
| Sub-base version | - | 32 | 14.3 | 32.6 | - |

| Coil size | E [mm] | F [mm] |
|-----------|-----------|-----------|
| 5 | 32 | 44 |
| 6 | 40 | 51 |

DTS 1000011035 EN Version: Q Status: RL (released | freigegeben | validé) printed: 21.10.2021

Visit product website ►

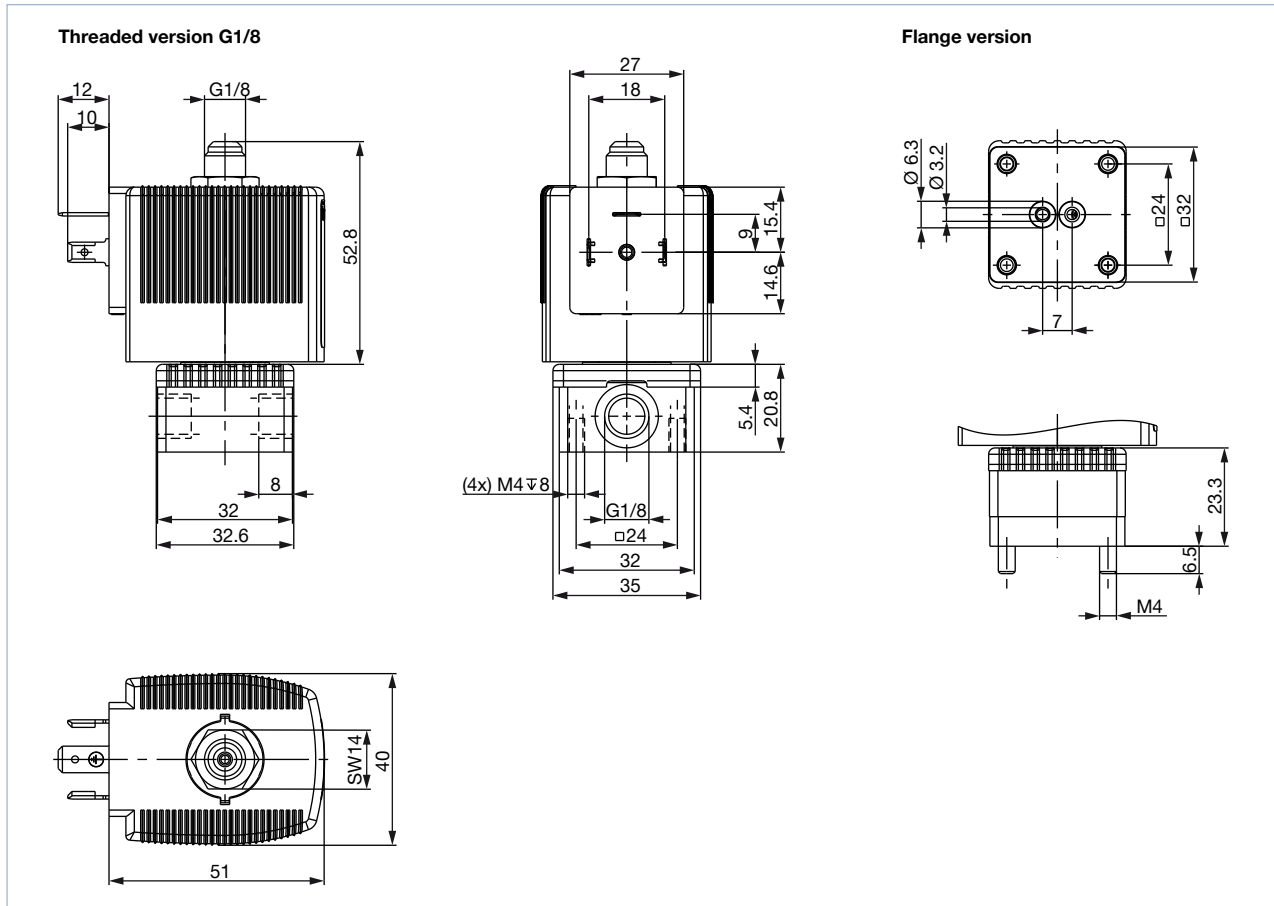
Type 6014

bürkert

5.5. ATEX/IECEx ia

Note:

- Dimensions in mm
- Detailed information about electrical data see "6.3. Electrical data" on page 15.



DTS 1000011035 EN Version: Q Status: RL (released | freigegeben | validé) printed: 21.10.2021

Visit product website ▶

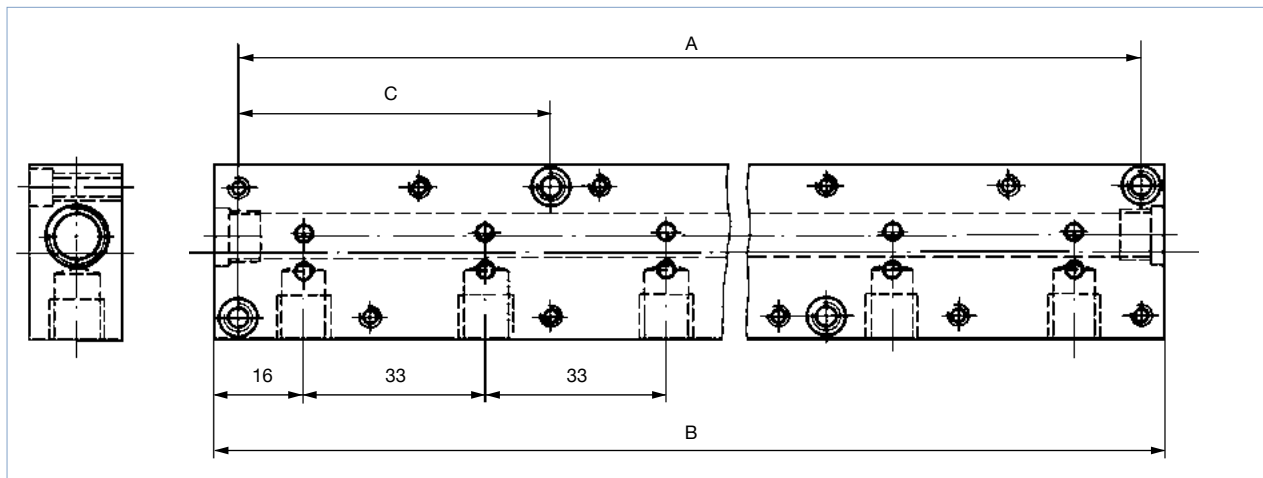
Type 6014



Multiple manifold

Note:

Dimensions in mm



Note:

Brass or stainless steel manifolds on request

| Accessory parts | Number of valve positions | Hole spacing A [mm] | Total length B [mm] | Hole spacing C [mm] | Article no. |
|--|---------------------------|---------------------|---------------------|---------------------|-------------|
| Multiple manifold (aluminium) | 2 | 57 | 65 | - | 005023 |
| | 3 | 90 | 98 | - | 005286 |
| | 4 | 123 | 131 | - | 005287 |
| | 5 | 156 | 164 | 57 | 005035 |
| | 6 | 189 | 197 | 57 | 005038 |
| | 8 | 255 | 263 | 90 | 005386 |
| | 10 | 321 | 329 | 90 | 005764 |
| Single manifold (aluminium) | | | | | 005020 |
| Plug nipple with O-rings for connecting manifolds | | | | | 005040 |
| Covering plate with screws and O-ring for closing off unused valve positions | | | | | 005630 |

6. Performance specifications

6.1. Power consumption

Note:

Response times: Measured at valve outlet at 6 bar and +20 °C. Opening: pressure build-up 0 ... 90 %, closing: pressure relief 100... 10 %

| Orifice [mm] | Power consumption | | | | Response times | |
|--------------|-------------------|--------|----------------|--------|----------------|--------------|
| | Inrush AC [VA] | UC [W] | Hold AC [VA/W] | UC [W] | Opening [ms] | Closing [ms] |
| 1.5 | 24 | 17 | 8 | 8 / 9 | 10...15 | 15...20 |
| 2.0 | | | | | 10...15 | 15...20 |
| 2.5 | | | | | 15...20 | 10...22 |

Visit product website ▶

Type 6014

bürkert

6.2. Utilisation in another circuit function

The valves are equipped with different springs for specific circuit functions. When used with other circuit functions, the permissible operating pressure changes according to the following table.

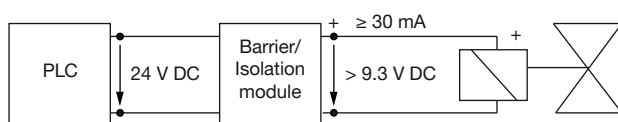
| Standard version | | Max. operating pressure [bar] for valve application in circuit function | | | | |
|------------------|------------------|---|-----|-----|-----|-----|
| DN | Circuit function | A | B | C | D | T |
| 1.5 | C | 16 | 22 | 16 | 2 | 2 |
| | D | 2 | 2.5 | 2 | 16 | 2 |
| | T | 10 | 16 | 10 | 6 | 6 |
| 2.0 | C | 10 | 14 | 10 | 1 | 1 |
| | D | 1 | 1.5 | 1 | 10 | 1 |
| | T | 6 | 10 | 6 | 4 | 4 |
| 2.5 | C | 6 | 9 | 6 | 0.7 | 0.7 |
| | D | 0.7 | 1 | 0.7 | 6 | 0.7 |
| | T | 3.5 | 6 | 3.5 | 2.5 | 2.5 |

6.3. Electrical data

Note:

The valve is designed to operate on 24 V DC outputs through an intermediary intrinsically safe apparatus (isolating block or barrier).

Type of protection EEx ia IIC T6 acc. to PTB-No. Ex-96.D.2010



| Function values for valve switching function | at +20 °C | at +55 °C |
|--|-----------|-----------|
| Minimum switching current | 30 mA | 30 mA |
| Nominal resistance coil | 310 Ω | 360 Ω |
| Minimum terminal voltage | 9.3 V | 10.8 V |

| Max. allowable values acc. to the certificate of conformity | |
|---|------------------------------|
| U _i | 28 V |
| I _i | 120 mA |
| P _i | 1.1 W |
| Ambient temperature | +60 °C at T6 +75 °C at T5 |

Visit product website ►

15 | 25