



MICRO SPOOL VALVES
solenoid air operated
Ø M3 tapped body
adaptable on multiple subbases

3/2-5/2-5/3

Series

518

Type

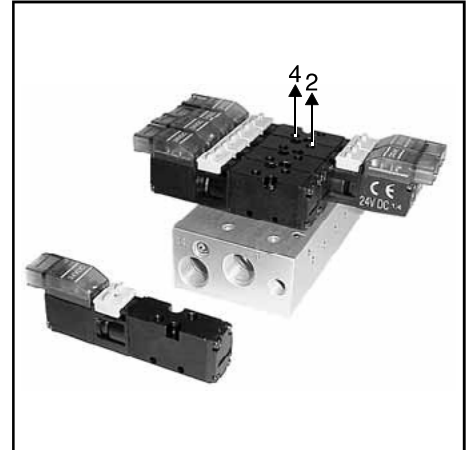
Micro 10

GENERAL

Fluid Air or neutral gas, non-lubricated, filtered at 25 µm
Operating pressure 2 to 8 bar
Ambient temperature +5°C to +50°C
Flow (Qv at 6 bar) See "specifications"
Manual override Impulse-type and maintained
Particularity These M3 threaded control valves also fit subbases : common ports 1 and (3-5) on subbase and load ports 2 - 4 on control valve, at the upper parts.

CONSTRUCTION

Body Light alloy, PA (polyamide)
Internal parts Light alloy, brass, stainless steel
Seals NBR (nitrile)



ELECTRICAL CHARACTERISTICS

voltage (other voltages on request)	consumption	insulation class	protection degree	electrical connection
24 V = 12 V = (+10%, -15%) 5 V =	1 W	F	IP 40	connector with two 0.5 mm ² lead wires + built-in LED and electrical protection or cable ends, 0,5 m long

The solenoid valves are designed for continuous operation within the maximum ambient temperature limits.

SPECIFICATIONS

function symbol	operators pilot (14) solenoid air operated return (12)	flow		response time (ms)		consumption (W)	type of electrical connection (*)	catalogue number (1)
		at 6 bar l/min (ANR)	coeff. Kv	energized	de-energized			
3/2 NC	differential return	100	1,43	9	25	1,3	1	51801001
							2	51801126
							3	51801127
							4	51801128
3/2 NO	differential return	100	1,43	9	25	1,3	5	51801129
							1	51801003
							2	51801130
							3	51801131
5/2	differential return	100	1,43	9	25	1,3	4	51801132
							1	51801133
							1	51801020
							2	51801134
5/2	solenoid air operated return	100	1,43	6	-	1,3	3	51801135
							4	51801136
							1	51801137
							2	51801138
5/3	pressure held W1	80	1,15	8	15	1,3	3	51801139
							4	51801140
							1	51801141
							5	51801030
5/3	pressure release W3	80	1,15	8	15	1,3	2	51801142
							3	51801143
							4	51801144
							1	51801145
5/3	pressure release W3	80	1,15	8	15	1,3	1	51801032
							2	51801146
							3	51801147
							4	51801148
5/3	pressure release W3	80	1,15	8	15	1,3	5	51801149

(*) Type 1, 2, 3, 4 with LED and electrical protection
 1 = horizontal, width 5,08 mm
 2 = vertical, width 5,08 mm
 3 = horizontal, width 2,54 mm
 4 = vertical, width 2,54 mm
 5 = Cable ends 0,5 m long, 0,25 mm²

(1) The connectors must be ordered **separately** indicating the quantity and one of the following codes:

- | | | | |
|--|---------------------|----------------|---------------------|
| Connectors with 2 lead wires | | | |
| Pin spacing 5,08 mm - Length 0,5 m - cat.no.: 88118801 | Pin spacing 2,54 mm | - Length 0,5 m | - cat.no.: 88118806 |
| - Length 1,5 m - cat.no.: 88118802 | | - Length 1,5 m | - cat.no.: 88118807 |
| - Length 3 m - cat.no.: 88118803 | | - Length 3 m | - cat.no.: 88118808 |



SUBBASES : see overleaf



All leaflets are available on: www.ascojoucomatic.com

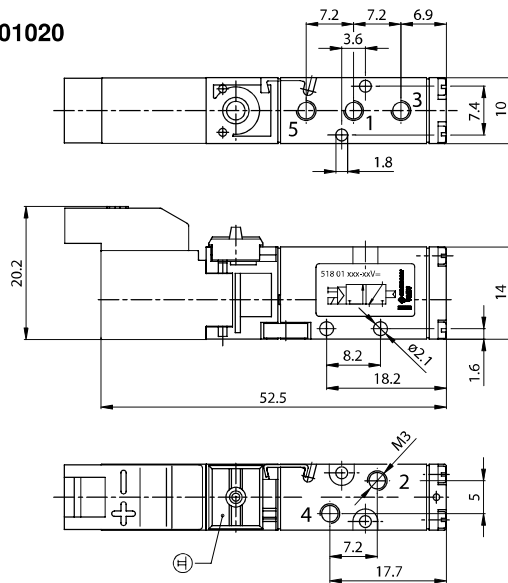
P545-1

DIMENSIONS (mm), WEIGHT (kg)

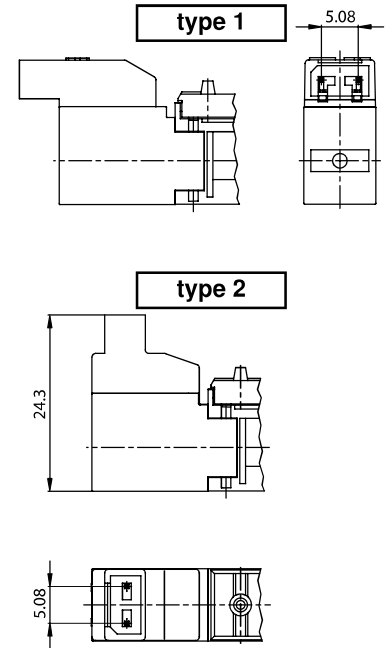
MICRO SPOOL-VALVES 3/2 - 5/2
cat.no. 51801001, 51801003, 51801020

weight	
spool-valve	1 connector
0,023	0,005

- 1 = pressure
- 2,4 = outlets
- 3,5 = exhausts



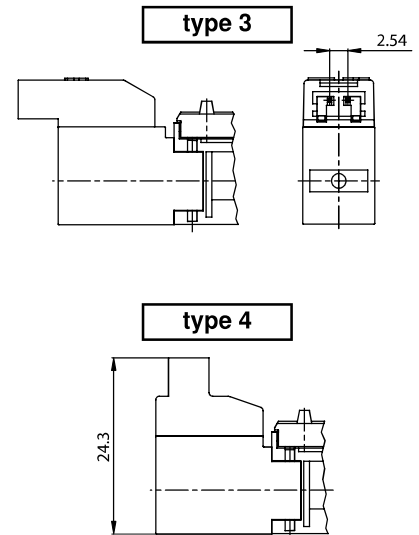
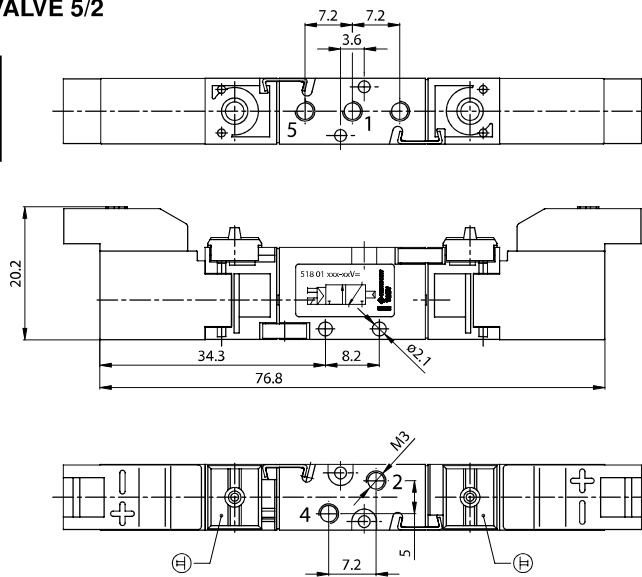
ELECTRICAL CONNECTION



IMPULSE MICRO SPOOL-VALVE 5/2
cat.no. 51801022

weight	
spool-valve	2 connectors
0,037	0,010

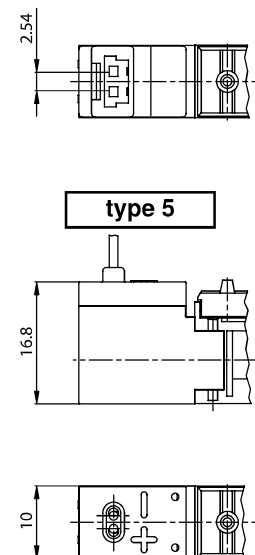
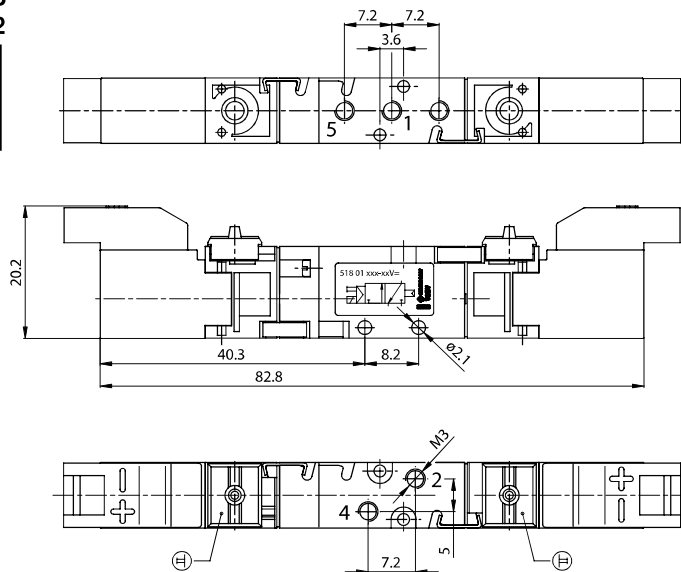
- 1 = pressure
- 2,4 = outlets
- 3,5 = exhausts



MICRO SPOOL-VALVES 5/3
cat.no. 51801030, 51801032

weight	
spool-valve	2 connectors
0,040	0,010

- 1 = pressure
- 2,4 = outlets
- 3,5 = exhausts



All leaflets are available on: www.ascojoucomatic.com

P545-2