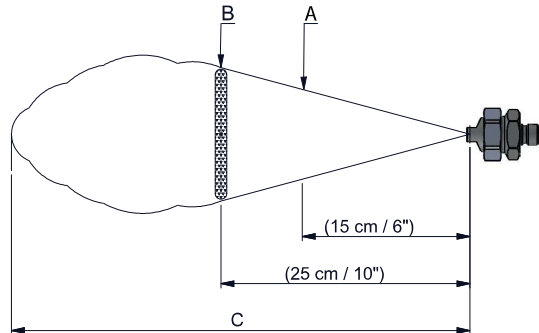


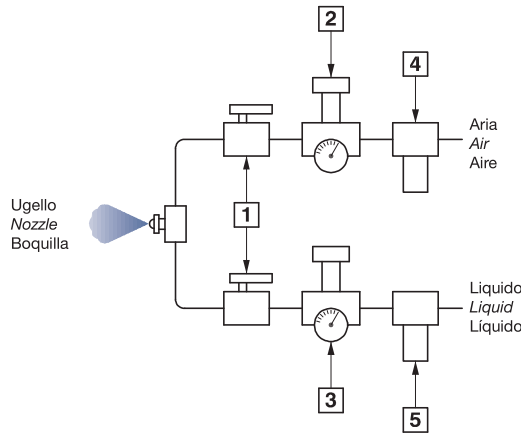
GETTO PIATTO IN PRESSIONE
FLAT SPRAY PRESSURE
SALIDA PLANA BAJO PRESIÓN



I set-up di miscelazione esterna sono ideali per liquidi viscosi o che tengono solidi sospesi. Le dimensioni A e B mostrano le coperture alle diverse distanze, oltre la distanza C il getto diventa frastagliato.

The external mixing set-ups are ideal for viscous liquids or those that hold suspended solids. The dimensions A and B show the coverages at different distances, beyond the distance C the jet becomes jagged.

Las configuraciones externas de mezcla son ideales para líquidos viscosos o para aquellos que contienen sólidos suspendidos. Las dimensiones A y B muestran las coberturas a diferentes distancias, más allá de la distancia C, el chorro se vuelve irregular.



| Spray set-up | Liquid Capacity (liters per hour) and Air Capacity (liters per minute) | | | | | | | | | | | | | | | Spray dimensions (h) | | | | |
|------------------|--|------------|------------------|-----------|------------|------------------|-----------|------------|------------------|-----------|------------|------------------|-----------|------------|---------|----------------------|---------------------|------|------|-----|
| | Liquid Pressure | | | | | | | | | | | | | | | Air bar | Liquid Press. (bar) | A cm | B cm | C m |
| | 0,2 Bar | | | 0,3 Bar | | | 0,7 Bar | | | 1,5 Bar | | | 3 Bar | | | | | | | |
| Air Press. (bar) | AIR l/min | Liquid l/h | Air Press. (bar) | AIR l/min | Liquid l/h | Air Press. (bar) | AIR l/min | Liquid l/h | Air Press. (bar) | AIR l/min | Liquid l/h | Air Press. (bar) | AIR l/min | Liquid l/h | Air bar | Liquid Press. (bar) | A cm | B cm | C m | |
| B1 - P41 | 0.35 | 22.0 | 2.8 | 0.35 | 22 | 3.5 | 0.40 | 25 | 5.3 | 0.60 | 28 | 7.8 | 0.70 | 34 | 11.0 | 0.6 | 0.7 | 23 | 30 | 1.8 |
| | 0.40 | 25.0 | | 0.40 | 25 | | 0.60 | 28 | | 0.70 | 34 | | 0.6 | 2.6 | | 28 | 35 | 1.8 | | |
| | 0.50 | 27.5 | | 0.60 | 28 | | 0.70 | 34 | | 1.10 | 45 | | 1.4 | 1.5 | | 25 | 30 | 2.7 | | |
| | 0.60 | 28.0 | | 0.70 | 34 | | 0.85 | 40 | | 1.40 | 54 | | 2.50 | 79 | | 1.1 | 2.0 | 28 | 35 | 2.6 |
| B2 - P41 | 0.35 | 22.0 | 4.5 | 0.35 | 22 | 5.5 | 0.60 | 28 | 8.3 | 0.70 | 34 | 12.2 | 1.10 | 45 | 17.2 | 1.1 | 0.7 | 30 | 38 | 2.1 |
| | 0.60 | 28.0 | | 0.70 | 34 | | 1.40 | 54 | | 1.40 | 54 | | 0.7 | 1.5 | | 38 | 46 | 1.8 | | |
| | 0.70 | 34.0 | | 1.10 | 45 | | 1.40 | 54 | | 2.10 | 71 | | 2.50 | 79 | | 2.5 | 1.5 | 33 | 40 | 3.0 |
| | 1.10 | 45.0 | | 1.40 | 54 | | 2.10 | 71 | | 2.50 | 79 | | 2.50 | 79 | | 1.8 | 2.0 | 38 | 46 | 2.7 |
| B3-P41 | 0.40 | 25.0 | 8.5 | 0.40 | 25 | 10.4 | 0.40 | 25 | 15.9 | 0.70 | 34 | 23.0 | 1.40 | 54 | 33.0 | 0.6 | 0.7 | 35 | 48 | 1.5 |
| | 0.50 | 27.5 | | 0.60 | 28 | | 0.60 | 28 | | 0.85 | 40 | | 1.80 | 62 | | 0.7 | 1.5 | 38 | 48 | 1.8 |
| | 0.60 | 28.0 | | 0.65 | 31 | | 0.70 | 34 | | 1.10 | 45 | | 2.10 | 71 | | 1.4 | 1.5 | 43 | 53 | 2.4 |
| | 0.70 | 34.0 | | 0.70 | 34 | | 0.85 | 40 | | 1.40 | 54 | | 2.50 | 79 | | 1.8 | 2.0 | 41 | 51 | 2.7 |
| B4-P42 | 0.60 | 91.0 | 13.4 | 0.70 | 102 | 16.4 | 1.40 | 156 | 25.0 | 2.10 | 210 | 37.0 | 3.20 | 285 | 52.0 | 2.1 | 0.7 | 33 | 40 | 4.3 |
| | 0.70 | 102.0 | | 1.10 | 130 | | 2.10 | 210 | | 2.80 | 260 | | 4.20 | 360 | | 2.1 | 1.5 | 35 | 46 | 4.0 |
| | 1.10 | 130.0 | | 1.80 | 184 | | 2.50 | 235 | | 3.50 | 310 | | 5.30 | 430 | | 4.2 | 1.5 | 38 | 48 | 5.2 |
| | 1.40 | 156.0 | | 2.10 | 210 | | 2.80 | 260 | | 4.20 | 360 | | 5.60 | 455 | | 3.9 | 2.0 | 41 | 51 | 4.6 |
| B5 - P42 | 0.60 | 91.0 | 17.6 | 0.70 | 102 | 22.0 | 1.10 | 130 | 33.0 | 2.50 | 235 | 48.0 | 3.50 | 310 | 68.0 | 1.8 | 0.7 | 35 | 48 | 3.0 |
| | 1.10 | 130.0 | | 1.40 | 156 | | 1.80 | 184 | | 3.20 | 285 | | 4.60 | 380 | | 2.5 | 1.5 | 38 | 46 | 3.8 |
| | 1.40 | 156.0 | | 1.80 | 184 | | 2.50 | 235 | | 3.90 | 330 | | 6.00 | 475 | | 4.2 | 1.5 | 30 | 43 | 4.9 |
| | 1.80 | 184.0 | | 2.10 | 210 | | 2.80 | 260 | | 4.20 | 360 | | 6.70 | 525 | | 4.2 | 2.0 | 33 | 43 | 5.2 |
| B6-P42 | 0.70 | 102.0 | 36.0 | 1.10 | 130 | 45.0 | 1.80 | 184 | 68.0 | 3.20 | 285 | 100.0 | 5.30 | 430 | 141.0 | 2.8 | 0.7 | 46 | 58 | 4.0 |
| | 1.10 | 130.0 | | 1.40 | 156 | | 2.10 | 210 | | 3.50 | 310 | | 6.00 | 475 | | 3.2 | 1.5 | 48 | 58 | 4.3 |
| | 1.40 | 156.0 | | 2.10 | 210 | | 2.80 | 260 | | 4.90 | 405 | | 6.70 | 525 | | 5.6 | 1.5 | 38 | 51 | 5.8 |
| | 1.80 | 184.0 | | 2.50 | 235 | | 3.20 | 285 | | 5.60 | 455 | | 7.00 | 550 | | 3.9 | 2.0 | 48 | 64 | 4.3 |
| B7-P43 | 1.80 | 235.0 | 36.0 | 1.80 | 235 | 45.0 | 2.50 | 300 | 68.0 | 3.90 | 410 | 100.0 | | | | 1.8 | 0.2 | 15 | 20 | 3.4 |
| | 2.10 | 260.0 | | 2.10 | 260 | | 2.80 | 330 | | 4.20 | 445 | | | | | 2.8 | 0.2 | 15 | 20 | 4.0 |
| | 2.50 | 300.0 | | 2.50 | 300 | | 3.20 | 335 | | 4.60 | 480 | | | | | 2.8 | 0.3 | 15 | 20 | 4.3 |
| | 2.80 | 330.0 | | 2.80 | 330 | | 3.50 | 380 | | 4.90 | 520 | | | | | 3.5 | 0.7 | 17 | 22 | 4.6 |
| | 3.20 | 355.0 | | 3.20 | 355 | | 3.90 | 410 | | 5.30 | 565 | | | | | 3.9 | 1.5 | 17 | 22 | 4.7 |
| | 3.50 | 380.0 | | 3.50 | 380 | | 4.20 | 445 | | 5.60 | 600 | | | | | 4.2 | 1.0 | 17 | 23 | 5.5 |
| | 4.20 | 445.0 | | 4.20 | 445 | | 4.90 | 520 | | 6.30 | 685 | | | | | 4.9 | 1.5 | 17 | 23 | 4.6 |
| B8 - P43 | 2.80 | 330.0 | 102.0 | 3.50 | 380 | 125.0 | 4.60 | 480 | 192.0 | 5.60 | 600 | 280.0 | | | | 2.8 | 0.2 | 19 | 25 | 4.9 |
| | 3.20 | 355.0 | | 3.90 | 410 | | 4.90 | 520 | | 6.00 | 640 | | | | | 3.9 | 0.2 | 20 | 25 | 5.2 |
| | 3.50 | 380.0 | | 4.20 | 445 | | 5.30 | 565 | | 6.30 | 685 | | | | | 4.6 | 0.3 | 20 | 25 | 5.5 |
| | 3.90 | 410.0 | | 4.60 | 480 | | 5.60 | 600 | | | | | | | | 5.3 | 0.7 | 22 | 27 | 5.5 |
| | 4.20 | 445.0 | | 4.90 | 520 | | 6.00 | 640 | | | | | | | | 5.6 | 1.0 | 22 | 27 | 5.5 |
| | 4.60 | 480.0 | | 5.30 | 565 | | 6.30 | 685 | | | | | | | | 5.6 | 1.5 | 22 | 27 | 5.8 |
| | 4.90 | 520.0 | | 5.60 | 600 | | | | | | | | | | | 6.0 | 1.5 | 22 | 27 | 6.1 |