



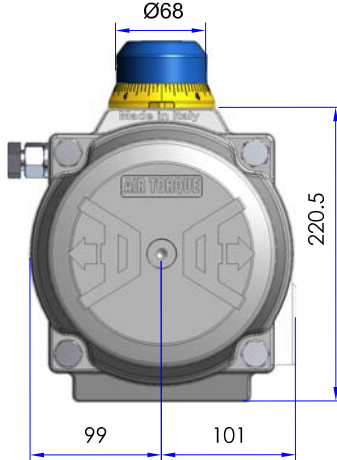
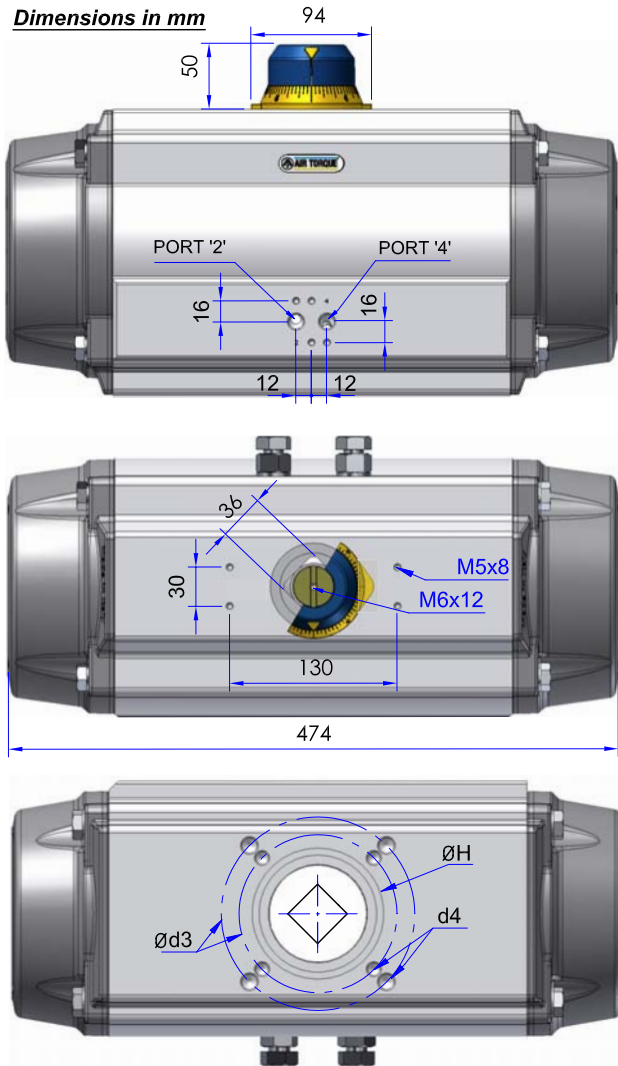
AIR TORQUE

AIR TORQUE S.p.A.
 via Alla Campagna, N° 1
 24060 Costa di Mezzate (Bg) Italy
 Tel.: +39 035 682299
 Fax: +39 035 687791
 E-mail: info@airtorque.it

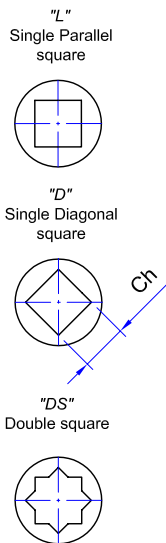
Model AT551 U
D/S - 90°

T.D.S. n° **AT551U-DM**
 Issued on: 04/10 - Page 1/1

Dimensions in mm

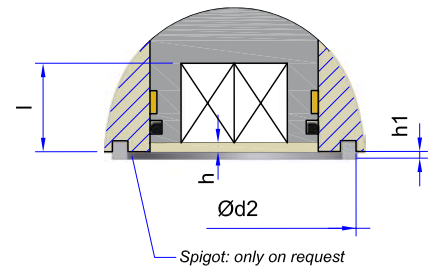


Optional Square:



ISO 5211 Flange Dimensions Available

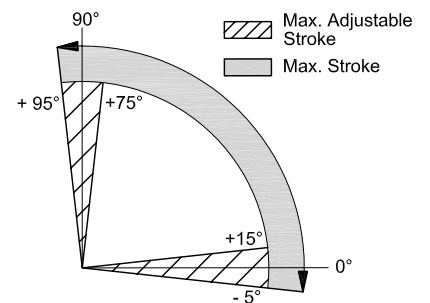
| ISO 5211 | STD | | OPTIONAL | |
|-----------------------------------|--------|---------------|----------|---|
| | F14 | F10 + F12 | | |
| Ø d2 | 100 | NA | 85 | |
| Ø d3 | 140 | 102 | 125 | |
| d4 | M16X24 | M10x15 | M12x18 | |
| Ø H | 100 | 70 | | |
| Ch x l min. | D | 22x40 - 36x38 | | |
| | DS | 27x40 - 36x38 | | |
| Stainless Drive Shaft Ch x l min. | DS | 27x34 | | |
| | h min. | 2 | 2 | 2 |
| h1 | 3 | NA | 1,5 | |



Connection / Attachment

| | |
|-----------------------------------|--------------|
| Pressure connection: Port 2 and 4 | G1/4" |
| Ancillary Attachment | AA 4 |

Rotation and stroke adjustment



Output Torque

| Pressure | OUTPUT TORQUE FOR DOUBLE ACTING IN Nm | | | | | | | | | | | | APPROX. WEIGHT (Kg) |
|----------|---------------------------------------|--------------|----------------|--------------|----------------|----------------|--------------|----------------|--------------|--------------|--------------|------|---------------------|
| | 2,5 bar 0° 90° | 3 bar 0° 90° | 3,5 bar 0° 90° | 4 bar 0° 90° | 4,2 bar 0° 90° | 4,5 bar 0° 90° | 5 bar 0° 90° | 5,5 bar 0° 90° | 6 bar 0° 90° | 7 bar 0° 90° | 8 bar 0° 90° | | |
| D | 383 | 459 | 536 | 613 | 643 | 689 | 766 | 842 | 919 | 1072 | 1225 | 24,3 | |

| Pressure | OUTPUT TORQUE FOR SPRING RETURN IN Nm | | | | | | | | | | | | Spring stroke 90° 0° | APPROX. WEIGHT (Kg) | |
|------------|---------------------------------------|--------------|----------------|--------------|----------------|----------------|--------------|----------------|--------------|--------------|--------------|-----------|----------------------|---------------------|------|
| | 2,5 bar 0° 90° | 3 bar 0° 90° | 3,5 bar 0° 90° | 4 bar 0° 90° | 4,2 bar 0° 90° | 4,5 bar 0° 90° | 5 bar 0° 90° | 5,5 bar 0° 90° | 6 bar 0° 90° | 7 bar 0° 90° | 8 bar 0° 90° | | | | |
| Spring Set | Start End | Start End | Start End | Start End | Start End | Start End | Start End | Start End | Start End | Start End | Start End | Start End | Start End | Start End | |
| S 05 | 225 146 | 301 223 | 378 299 | 455 376 | 485 406 | 531 452 | 608 529 | | | | | | | 237 158 | 27,8 |
| S 06 | 193 99 | 270 175 | 346 252 | 423 329 | 454 359 | 500 405 | 576 482 | 653 558 | | | | | | 284 190 | 28,5 |
| S 07 | | 238 128 | 315 205 | 391 281 | 422 312 | 468 358 | 544 434 | 621 511 | 698 587 | | | | | 332 221 | 29,2 |
| S 08 | | | 283 157 | 360 234 | 390 264 | 436 310 | 513 387 | 589 464 | 666 540 | 819 693 | | | | 379 253 | 29,9 |
| S 09 | | | | 328 186 | 359 217 | 405 263 | 481 340 | 558 416 | 634 493 | 788 646 | 941 799 | | | 426 285 | 30,6 |
| S 10 | | | | | | 373 216 | 450 292 | 526 369 | 603 445 | 756 599 | 909 752 | | | 474 316 | 31,3 |
| S 11 | | | | | | | 418 245 | 495 321 | 571 398 | 724 551 | 877 704 | | | 521 348 | 32 |
| S 12 | | | | | | | | 463 274 | 540 351 | 693 504 | 846 657 | | | 568 379 | 32,7 |

Technical Data

| Max. Pressure | Rotation (For STD) | Screw stroke Adjustment | Chamber φ (mm) | Air Volume (L) | | Moving Time (Sec.) (A) | | | |
|---------------|--------------------|---------------------------|----------------|----------------|---------|------------------------|---------|---------|---------|
| | | | | Opening | Closing | Opening | Closing | Opening | Closing |
| 8 bar | 0° - 90° | For 1° adj. need 1/4 Turn | 180 | 4,26 | 6,89 | D 2,0 | D 2,2 | S 2,4 | S 2,8 |

Operating Temperature Range

| Operating Temperature (°C) (B) | | |
|--------------------------------|-----------------------|-------------------------------|
| ST (standard) | HT (high temperature) | LLT (Extreme low temperature) |
| -40 to +80 | -15 to +150 | -55 to +80 |

A) - The above indicated moving time of the actuator is obtained in the following test conditions: (1) Room Temperature, (2) Actuator Stroke 90°, (3) Solenoid Valve with Orifice of 11 mm and a flow capacity Qn 6000 L/min., (4) Inside pipe diameter 11 mm, (5) Medium clean air, (6) Air supply pressure 5,5 bar (79,75 Psi), (7) Actuator without external resistance load. **Caution: obviously on the field applications when one or more of the above parameters are different, the moving time will be different.**

B) - Every temperature range option requires proper components and lubricant. See technical data-sheet N° T.D.S. U00501E.

Operating Medium:

The operating medium must be free of dust and oil. The maximum particle size must not exceed 30µ (ISO 8573 Part1, Class5). In order to prevent water condensation and/or solidification (ice when actuator works below 0°C), the operating medium must have a dew point equal to -20°C or at least 10°C below the ambient temperature (ISO 8573 Part1, Class3).