

Catalog PDN1000-2US
Parker Pneumatic

**Viking Xtreme Series Valves
 Fittings & Exhaust Protectors**

Exhaust Protector

Features

- • 1/8 and 1/4 NPT male sizes
- • Fitted with a brass pipe adapter and a fluorocarbon membrane
- • Resistant to rust, clog, wash down and contamination

• Applications

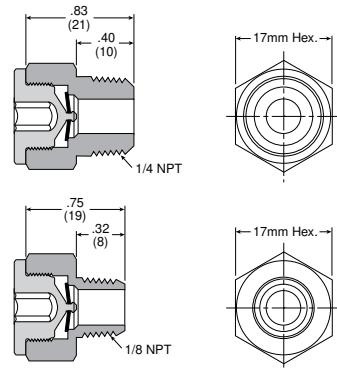
These protectors are intended for mobile applications, quick venting applications and alternative exhaust port breathers that require protection against clogging.

Ideal for valves exposed to harsh environmental conditions (which can cause a “caking up” in the exhaust pipe ports where the bronze mufflers or breather vents are installed).

Particularly suitable for time-sensitive applications such as axle-lift suspensions or pushers or tag axles.

Flow data (SCFM)

Size	60 PSIG Inlet	90 PSIG Inlet	125 PSIG Inlet	Part number
1/8"	40.1	56.5	75.5	E90016
1/4"	44.6	62.7	83.5	E90017



Operating information

Operating pressure:	0 to 150 PSIG (0 to 10 bar)
Operating temperature:	-40°F to 140°F (-40°C to 60°C)

Material specifications

Body & pipe adapter	Brass
Membrane	Fluorocarbon

Spool Service Kits

Description	Includes items (qty.)	Part number
Size A, 4-way, 2-position, solenoid & air pilot valves	1 (1), 3 (2), 4 (2)	P2LAXSK1
Size A, 4-way, 3-position, solenoid & air pilot valves	1 (1), 2 (2), 3 (2), 4 (2)	P2LAXSK2
Size A, 4-way, 2-position, manual valves	Spool only (not shown)	P2LAXSK3
Size A, 4-way, 3-position, manual valves	Spool only (not shown)	P2LAXSK4
Size B, 4-way, 2 & 3-position valves	1 (1), 3 (2), 4 (2)	P2LBXSK1
Size C & Size D, 4-way, 2 & 3-position valves	1 (1), 3 (2), 4 (2)	P2LCXDYSK1

