

BASE-LINE – FWS, FWH SYSTEM

GUIDE ROLLERS FR ... EU

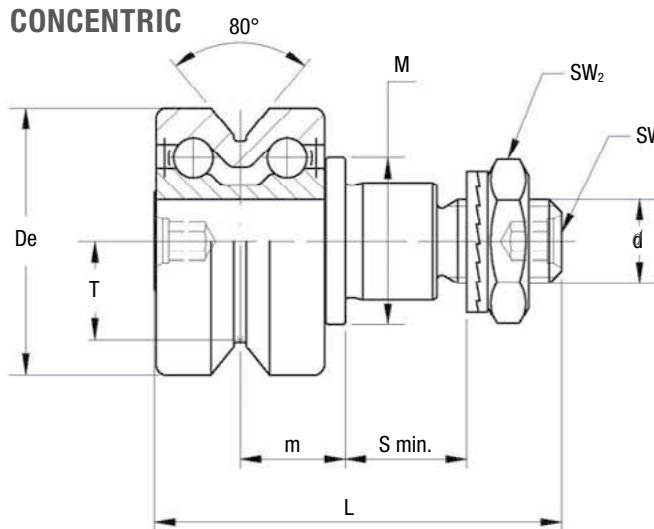
Guide roller with ball bearings.
The sides of the race are slightly convex.



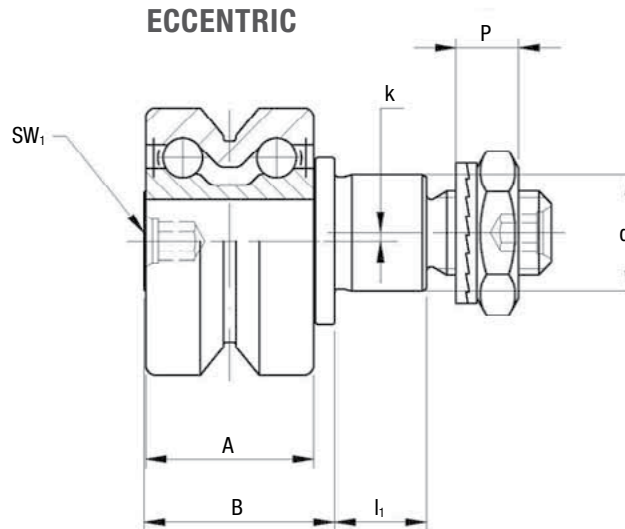
Available in stainless steel version.



CONCENTRIC



ECCENTRIC



Type		Dimensions (mm)															
concentric	eccentric	De	d ₁ ²⁾	d	T	m	S min.	P	L	A	B	I ₁	M	SW ₁	SW ₂	SW ₃	k
FR 22 EU ¹⁾	FRR 22 EU ¹⁾	22	9	M6 x 1	7.7	9.4	9	6.5	36.8	15	18	8	14	4	10	3	0.8
FR 32 EU ¹⁾	FRR 32 EU ¹⁾	32	14	M10 x 1.25	11.8	12.6	12	8.5	48.9	20.2	22.9	11	20	4	17	4	1
FR 40 EU ¹⁾	FRR 40 EU ¹⁾	40	16	M12 x 1.5	14.6	15.5	12	10.4	58.5	25	29.5	11	22	5	19	5	1
FR 52 EU	FRR 52 EU	52	21	M16 x 1.5	19.1	19.8	15	11.4	69.5	32	36.5	14	28	6	24	6	1.5
FR 62 EU ¹⁾	FRR 62 EU ¹⁾	62	27	M20 x 1.5	22.1	20.8	18.5	12.4	80	33.6	39	17.5	35	8	30	8	2

1) FR/R 22, 32, 40 are available in stainless steel (NX)

2) Housing bore tolerance: H7

Type		Dynamic loads (N)	Limit loads (N)		Life coefficients		Torque wrench settings ⁴⁾ (Nm)	Weight (g)
concentric	eccentric	C _w ³⁾	radial F _r	axial F _a	X	Y		
FR 22 EU	FRR 22 EU	2900	1400	420	1	2	3	45
FR 32 EU	FRR 32 EU	5800	2000	800	1	1.9	20	125
FR 40 EU	FRR 40 EU	8500	3650	1400	1	1.9	26	230
FR 52 EU	FRR 52 EU	11700	8500	3000	1	1.9	64	510
FR 62 EU	FRR 62 EU	13900	11000	3500	1	1.9	120	765

3) C_w basic load for 100 km

4) The torque wrench settings are given for non-lubricated threads; for lubricated threads, multiply figure by 0.8

- The guide rollers are complete with self-locking washers and hexagonal nut (DIN 439B) for fitting
- Pressure angle α for load calculation: 40°
- NBR seals RS type