

European P.G. Information

(Specialised product)

EU-PG-INFO-2005-001-UK

Title: **Stainless Steel Cylinder with ISO 6432 dimensions**

Product: **C5G25-DKI10184- # # #**

Application: **Food Industry – “Splash Area”**
Actuating selection gates in food conveyor belts

Feature 1 **Hygienic design Stainless Steel (SUS 304) Cylinder with ISO 6432 dimensions**

Feature 2 **Piston rod scraper in hygienic design made of FKM**

Feature 3 **Captive air cushion adjustment in hygienic design**

Feature 4 **Polymer clevis bushing**

Picture:



Specification:

| | |
|-------------------------------|--------------------------------|
| Bore size | 25 mm |
| Stroke | 25 to 400 mm |
| Action | Double acting |
| Fluid | Air |
| Proof Pressure | 1,5 MPa |
| Maximum operating pressure | 1,0 MPa |
| Minimum operating pressure | 0,05 MPa |
| Ambient and fluid temperature | - 10°C to + 70°C (no freezing) |
| Lubrication | Not required (non lube) |
| Piston speed | 50 to 150 mm/s |
| Stroke tolerance | +1,4 / - 0mm |
| Cushion | Air cushion (both ends) |
| Allowable kinetic energy | 0,97 J |
| Built in magnet | No |

Caution: To ensure the safest possible operation of this product, please read the “Safety Instructions” in our “Best Pneumatics” general catalogue.
 Specification are subject to change without prior notice and any obligation on the part of the manufacturer

European P.G. Information

(Specialised product)

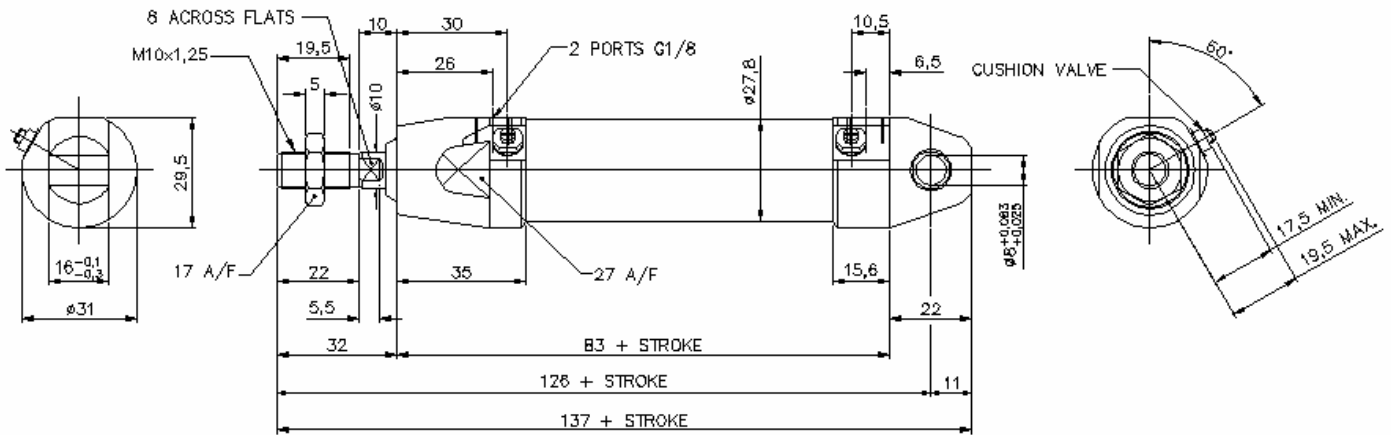
EU-PG-INFO-2005-001-UK

How to Order:

C5G25-DKI10184 – 100

Stroke:
25 to 400mm

Dimensions:



European Contacts:

| | | | | | | | |
|-----------------------|------------------|--|--------------------------|--------------------|-------------------|--|---------------------------|
| Austria | +43 226262280 | www.smc.at | office@smc.at | Lithuania | +370 2651602 | | |
| Belgium | +32 (0)33551464 | www.smc-pneumatics.be | post@smcpneumatics.be | Netherlands | +31 (0)205318888 | www.smc-pneumatics.nl | info@smcpneumatics.nl |
| Bulgaria | +359 2 9744492 | www.smc.bg | office@smc.bg | Norway | +47 67129020 | www.smc-norge.no | post@smc-norge.no |
| Croatia | +385 1 377 66 74 | www.smceu.com | office@smc.hr | Poland | +48 225485085 | www.smc.pl | office@smc.pl |
| Czech Republic | +42 0541424611 | www.smc.cz | office@smc.cz | Portugal | +351 226108922 | www.smces.es | postpt@smc.smces.es |
| Denmark | +45 70252900 | www.smc.dk | smc@smc-pneumatik.dk | Romania | +40 213205111 | www.smcromania.ro | smcromania@smcromania.ro |
| Estonia | +372 (0)6593540 | www.smc-pneumatics.ee | smc@smcpneumatics.ee | Russia | +812 1185445 | www.smc-pneumatik.ru | smcfa@peterlink.ru |
| Finland | +358 207 513513 | www.smc.fi | smcfin@smc.fi | Slovakia | +421 244456725 | www.smc.sk | office@smc.sk |
| France | +33 (0)164761000 | www.smc-france.fr | contact@smc-france.fr | Slovenia | +386 73885249 | www.smc-ind-avtom.si | office@smc-ind-avtom.si |
| Germany | +49 (0)61034020 | www.smc-pneumatik.de | info@smc-pneumatik.de | Spain | +34 945184100 | www.smces.es | post@smc.smces.es |
| Greece | +30 (0)13426076 | www.smceu.com | parianos@hol.gr | Sweden | +46 (0)86031200 | www.smc.nu | post@smcpneumatics.se |
| Hungary | +36 13711343 | www.smc-automation.hu | office@smc-automation.hu | Switzerland | +41 (0)523963131 | www.smc.ch | info@smc.ch |
| Ireland | +353 (0)14039000 | www.smc-pneumatics.ie | sales@smcpneumatics.ie | Turkey | +90 (0)2122211512 | www.entek.com.tr | smc-entek@entek.com.tr |
| Italy | +39 (0)292711 | www.smcitalia.it | mailbox@smcitalia.it | UK | +44 (0)8001382930 | www.smc-pneumatics.co.uk | sales@smcpneumatics.co.uk |
| Latvia | +371 (0)7779474 | www.smc.lv | info@smclv.lv | | | | |

SMC European Marketing Centre

Tel: +34 945 184 100

www.smceu.com

SMC CORPORATION 1-16-4 Shimbashi, Minato-ku, Tokyo 105-8659 JAPAN Tel: +81 03 3502 2740 www.smcworld.com

Caution: To ensure the safest possible operation of this product, please read the "Safety Instructions" in our "Best Pneumatics" general catalogue.
 Specification are subject to change without prior notice and any obligation on the part of the manufacturer