



F82G – General purpose filter Excelon® Plus Modular System



- > Port size: 1/4" & 3/8" (ISO G/PTF)
- > Excelon® Plus design allows in-line installation or modular installation with other Excelon® Plus products
- > 5 or 40 micron particle and high efficiency water removal (> 95%)
- > Double safety lock bowl
- > Metal bowl with prismatic liquid level indicator lens
- > Light weight polycarbonate bowl
- > Air purity classes in accordance to ISO8573-1:2010:
7:8:4 (40µm)
6:8:4 (5µm)



Technical features

Medium:

Compressed air only
Maximum supply pressure:
Polycarbonate bowl: 10 bar (145 psi)
Metal bowl: 17 bar (246 psi)

Filter element:

5 µm & 40 µm

Port size:

G1/4, G3/8
1/4 PTF, 3/8 PTF

Flow:

23 dm³/s (port size 1/4") and
27dm³/s (port size 3/8") at inlet
pressure 6.3bar (91psi) and a
Δp 0,5 bar (7,25 psi) pressure
drop. Filter element 40µm


Drain:

Manual or automatic
Automatic drain operating
conditions (float operated):
Bowl pressure required to
close drain: > 0,35 bar (5 psi)
Bowl pressure required to open
drain: ≤ 0,2 bar (2,9 psi)
Minimum air flow required to
close drain: 1dm³/s.

Ambient/Media temperature:

Polycarbonate bowl:
-10 ... +60°C (14 ... +140°F)
Metal bowl:
-20 ... +65°C (-4 ... +149°F)
Air supply must be dry enough
to avoid ice formation at
temperatures below +2°C
(+35°F).

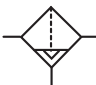
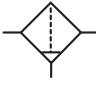
Atex:

Filters F82 are in conformity with
Atex 2014/34/EU
 II 2 GD
Ex h IIC T6 Gb
EX h IIIC T85°C Db

Materials:

Body: Die cast aluminium
Body covers: ABS
Transparent Bowl : Polycarbonate with Polypropylene Guard.
Metal Bowl: Die cast Zinc with PA liquid level indicator lens
Filter element: sintered PP
Bowl 'o'- ring: Chloroprene
Elastomers: NBR

Technical data F82G—standard models

Symbol	Port Size	Drain	Filter element (µm)	Bowl	Weight (kg)	Model *1)
	G1/4	Auto	40	Guarded polycarbonate	0,22	F82G-2GN-AP3
	G3/8	Auto	40	Guarded polycarbonate	0,22	F82G-3GN-AP3
	G1/4	Auto	40	Metal with level indicator	0,41	F82G-2GN-AD3
	G3/8	Auto	40	Metal with level indicator	0,41	F82G-3GN-AD3
	G1/4	Manual	40	Guarded polycarbonate	0,20	F82G-2GN-QP3
	G3/8	Manual	40	Guarded polycarbonate	0,20	F82G-3GN-QP3
	G1/4	Manual	40	Metal with level indicator	0,40	F82G-2GN-QD3
	G3/8	Manual	40	Metal with level indicator	0,40	F82G-3GN-QD3



Option selector

F82G-★ ★ N - ★ ★ ★

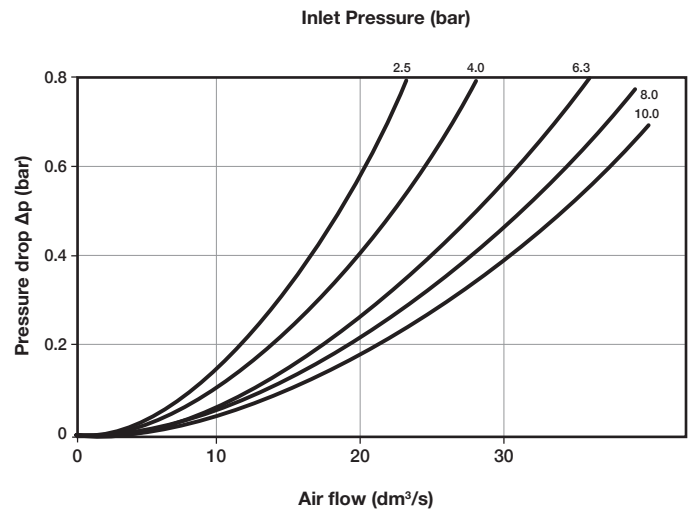
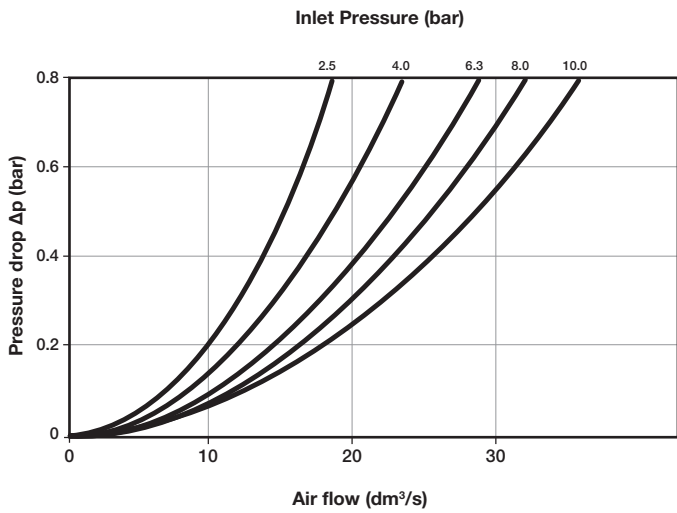
Port size	Substitute
1/4"	2
3/8"	3
Thread form	Substitute
PTF	A
ISO G (standard)	G
Drain	Substitute
Manual (standard)	Q
Auto drain (standard)	A

Element	Substitute
5 µm	1
40µm (standard)	3
Bowl	Substitute
Transparent with guard (standard)	P
Metal with liquid indicator	D

Flow characteristics

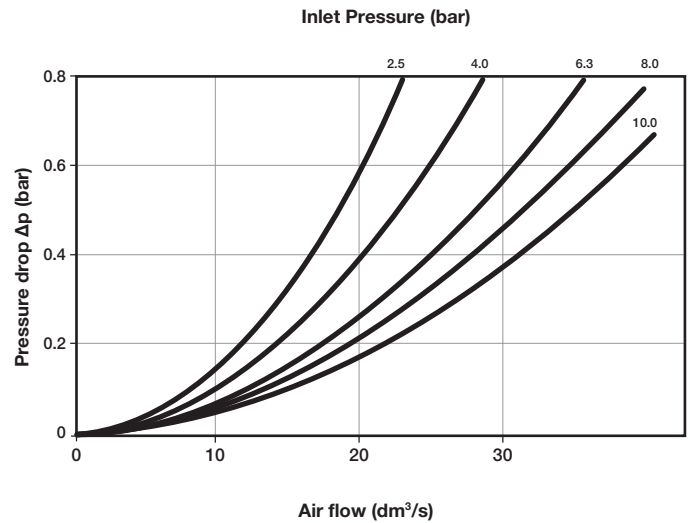
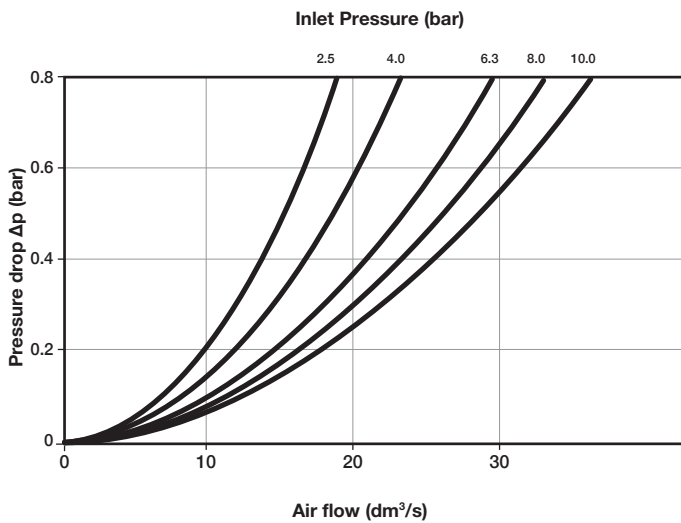
Element: 40 µm
Port size: 1/4"

Element: 40 µm
Port size: 3/8"













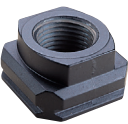
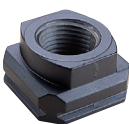
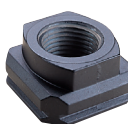
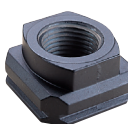
Element: 5 µm
Port size: 1/4"

Element: 5 µm
Port size: 3/8"





Accessories

<p>Wall mounting bracket</p>  <p>Page 5 820024-50KIT</p>	<p>Quikclamp®</p>  <p>Page 5 820014-51KIT</p>	<p>Quikclamp® with bracket assembled</p>  <p>Page 5 820014-52KIT</p>	<p>Pressure sensing block 1/4 PTF</p>  <p>Page 5 820016-50KIT</p>	<p>Pressure sensing block G1/4</p>  <p>Page 5 820016-51KIT</p>
<p>Full flow porting block 3/8" PTF</p>  <p>Page 5 820028-50KIT</p>	<p>Full flow porting block G3/8</p>  <p>Page 5 820028-53KIT</p>			
<p>Pressure switch interface block (18D pressure switch)</p>  <p>Page 6 0523109000000000</p>	<p>Pneumatic pressure switch 18D (0,5 ... 8 bar) *1)</p>  <p>Page 6 0881300</p>	<p>Digital pressure switch 51D (-1 ... 10 bar) *2)</p>  <p>Page 6 0860810</p>		
<p>*1) Flanged version. For other pressure ranges, please see data sheet 5.11.001 *2) For other pressure ranges, please see data sheet 5.11.385</p>				
<p>Port Adaptors 1/4 PTF</p>  <p>Page 6 820015-02KIT</p>	<p>Port Adaptors 3/8 PTF</p>  <p>Page 6 820015-03KIT</p>	<p>Port Adaptors G1/4</p>  <p>Page 6 820015-08KIT</p>	<p>Port Adaptors G3/8</p>  <p>Page 6 820015-09KIT</p>	



Maintenance/Service

**Filter cartridge
5 micron**



820038-50KIT

**Filter cartridge
40 micron**



820038-51KIT

**Auto drain kit with
metal Nut - Imperial**



6000-61KIT

**Auto drain kit with
metal Nut - Metric**



6000-60KIT

Spare parts

**Filter Bowl (Guarded Poly bowl
with auto drain 6 mm PIF)**




820025-51KIT

**Filter Bowl (Guarded Poly
bowl with manual drain)**




820025-50KIT

**Filter Bowl (Metal with S/
Glass & auto drain, 6 mm PIF)**



820003-51KIT

**Filter Bowl (Metal with S/
Glass & manual drain)**




820003-50KIT

**Filter Bowl (Guarded Poly
bowl with auto drain, 1/4 PIF)**



820025-53KIT

**Filter Bowl (Metal with S/
Glass & auto drain, 1/4 PIF)**

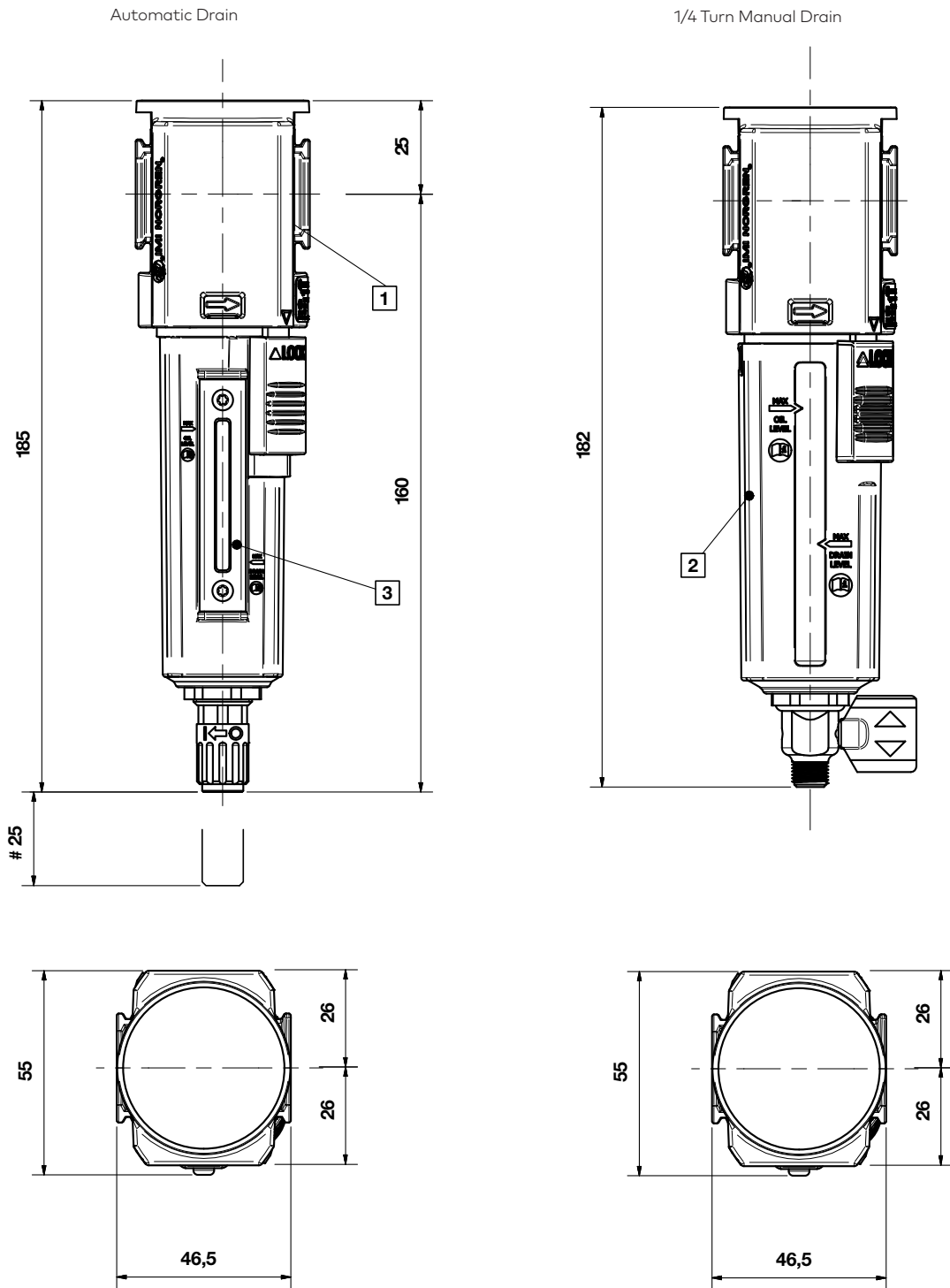


820003-56KIT



Dimensions

Dimensions in mm
Projection/First angle



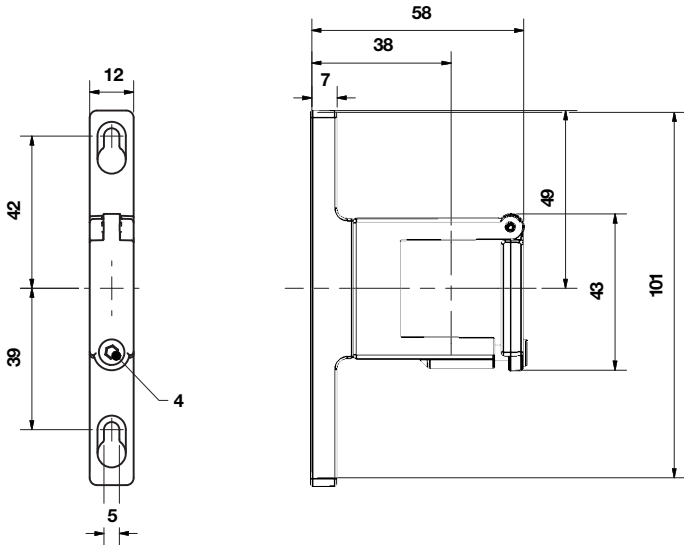
Minimum clearance required to remove bowl

- 1 Main ports 1/4", 3/8" (ISO G/PTF)
- 2 Transparent bowl with guard
- 3 Metal bowl with liquid level indicator lens



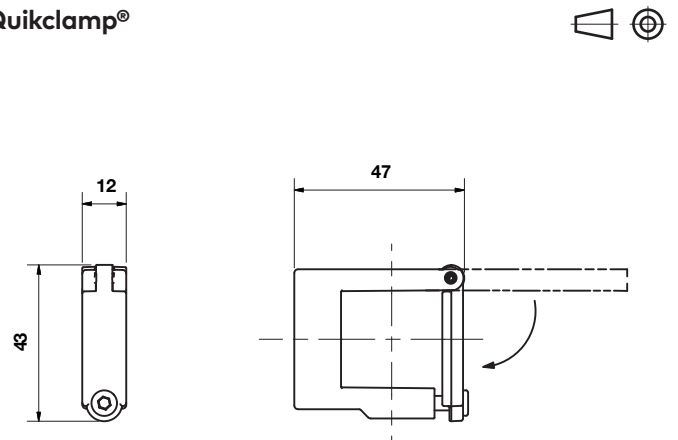
Accessories

Quikclamp® with wall bracket

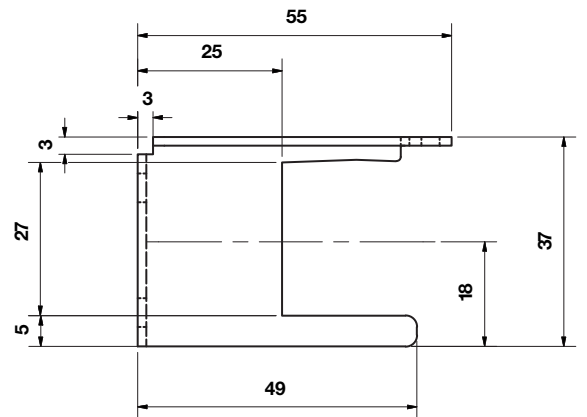
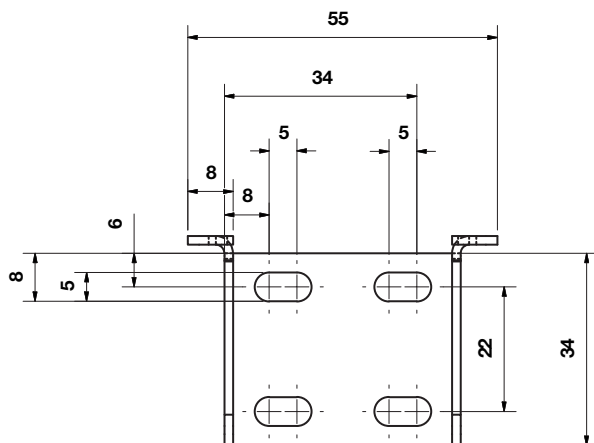


Quikclamp®

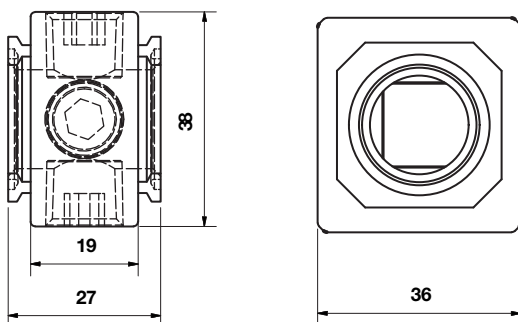
Dimensions in mm
Projection/First angle



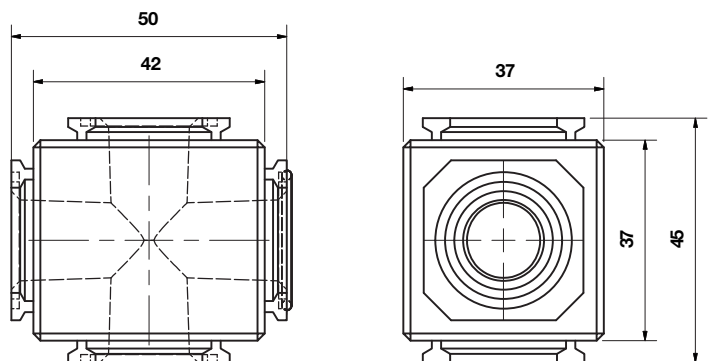
Mounting bracket



Pressure sensing block

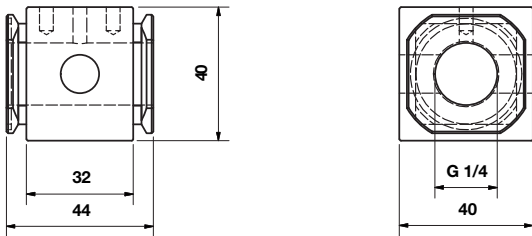


Full flow porting block

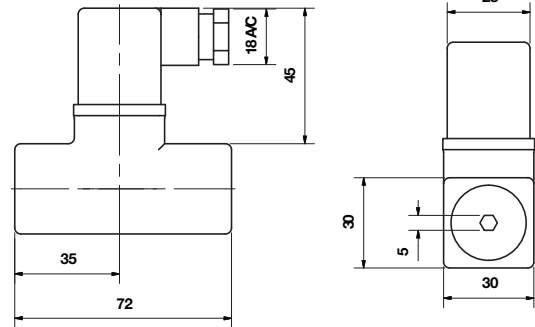




Porting block for 18D pressure switch



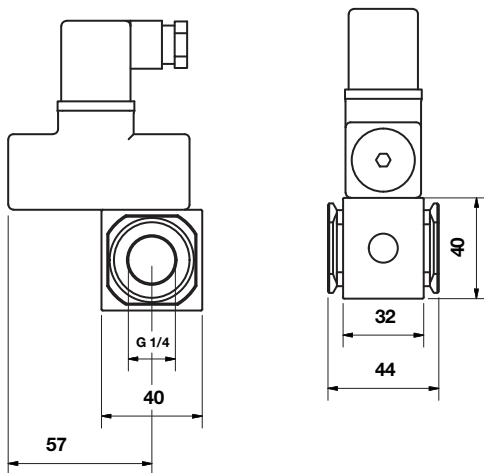
18D Pressure switch



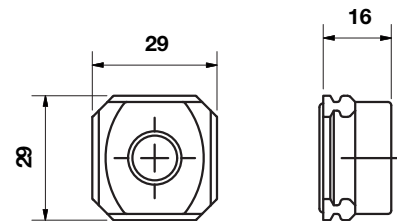
Dimensions in mm
Projection/First angle



18D Porting block and 18D assembled

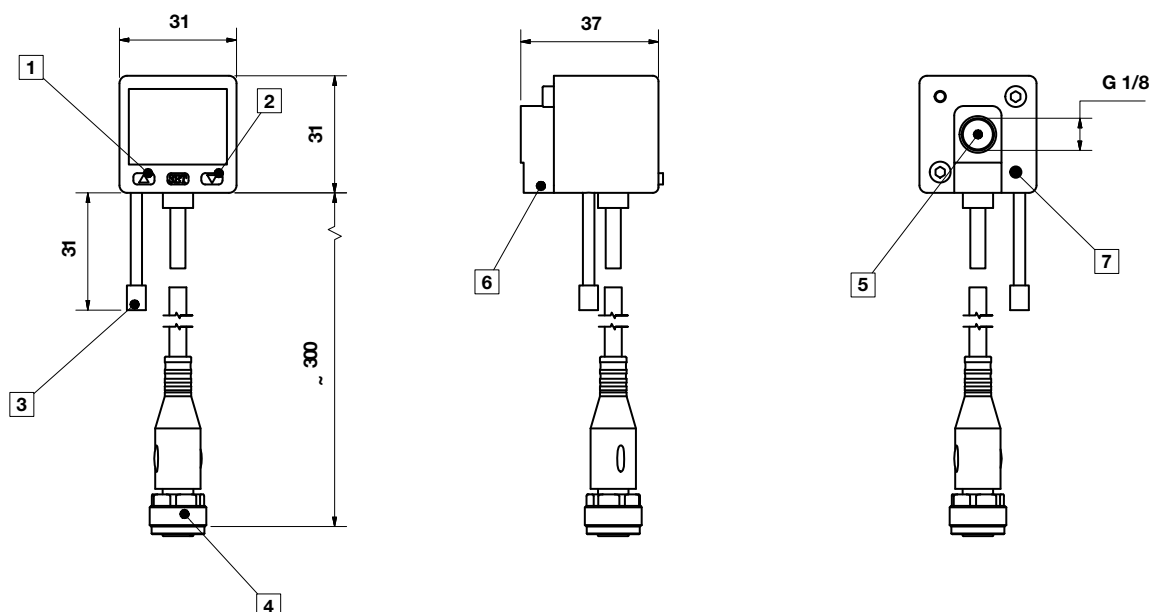


Pipe adaptor





51D Pressure switch - digital

Dimensions in mm
Projection/First angle

- 1 Switch OUT 1, green LED
- 2 Switch OUT 2, red LED
- 3 Dustproof protector
- 4 Connector M12 x 1
- 5 Inlet port
- 6 Alternative inlet port G1/8 plugged
- 7 Thread for mounting screw

Warning

These products are intended for use in industrial compressed air systems only. Do not use these products where pressures and temperatures can exceed those listed under »**Technical features/ data**«.

Before using these products with fluids other than those specified, for non-industrial applications, life-support systems or other applications not within published specifications, consult Norgren Ltd.

Through misuse, age, or malfunction, components used in fluid power systems can fail in various modes.

The system designer is warned to consider the failure modes of all component parts used in fluid power systems and to provide adequate safeguards to prevent personal injury or damage to equipment in the event of such failure.

System designers must provide a warning to end users in the system instructional manual if protection against a failure mode cannot be adequately provided.

System designers and end users are cautioned to review specific warnings found in instruction sheets packed and shipped with these products.