



## F82C - Oil removal filters Excelon® Plus Modular System

- > Port size: 1/4" & 3/8" (ISO G/PTF)
- > Excelon® Plus design allows in-line installation or modular installation with other Excelon® Plus products
- > High efficiency oil and particle removal
- > Double safety lock bowl
- > Metal bowl with prismatic liquid level indicator lens
- > Light weight Polycarbonate bowl
- > Service indicator standard
- > Air purity class in accordance with ISO8573-1:2010: 1:7:1\*

\*Tested in accordance with the methods laid out in ISO 12500-1 using an inlet oil aerosol concentration of 4mg/m<sup>3</sup>



### Technical features

#### Medium:

Compressed air only

#### Maximum operating pressure:

Polycarbonate bowl:

10 bar (145 psi)

Metal bowl: 17 bar (246 psi)

#### Remaining oil content:

0,01 mg/m<sup>3</sup> at +21°C (+69°F)

#### Particle removal:

To 0,01 µm

#### Port size:

G1/4, G3/8, 1/4 PTF, 3/8 PTF

#### Flow:

5,5 dm<sup>3</sup>/s - Maximum flow to maintain stated oil removal performance at challenge rate of 4 mg/m<sup>3</sup>, operating pressure: 6,3 bar (91 psi)

#### Drain:

Manual or automatic  
Automatic drain operating conditions (float operated):  
Bowl pressure required to close drain: > 0,35 bar (5 psi)  
Bowl pressure required to open drain: ≤ 0,2 bar (2.9 psi)  
Minimum air flow required to close drain: 1 dm<sup>3</sup>/s.

#### Ambient/Media temperature:

Polycarbonate bowl:

-10 ... +60°C (+14 ... +140°F)

Metal bowl:

-20 ... +65°C (-4 ... +149°F)

Air supply must be dry enough to avoid ice formation at temperatures below +2°C (+35°F).

Note: Install an F82G filter with a 5 µm filter element upstream of the F82C filter for maximum service life.

#### Atex:

Filters F82 are in conformity with Atex 2014/34/EU



II 2 GD

Ex h IIC T6 Gb

EX h IIIC T85°C Db

#### Materials:

Body: Die cast aluminium

Body covers: ABS

Transparent Bowl : Polycarbonate with Polypropylene Guard.

Metal Bowl: Die cast Zinc with PA liquid level indicator lens

Filter element:

Synthetic fibre & PE foam

Bowl 'o'- ring: Chloroprene

Elastomers: NBR

### Technical data F82C—standard models

Symbol	Port Size	Drain	Bowl	Weight (kg)	Model
	G1/4	Auto	Guarded polycarbonate	0,25	F82C-2GD-AP0
	G3/8	Auto	Guarded polycarbonate	0,25	F82C-3GD-AP0
	G1/4	Auto	Metal with level indicator	0,44	F82C-2GD-AD0
	G3/8	Auto	Metal with level indicator	0,44	F82C-3GD-AD0
	G1/4	Manual	Guarded polycarbonate	0,25	F82C-2GD-QP0
	G3/8	Manual	Guarded polycarbonate	0,25	F82C-3GD-QP0
	G1/4	Manual	Metal with level indicator	0,44	F82C-2GD-QD0
	G3/8	Manual	Metal with level indicator	0,44	F82C-3GD-QD0



Option selector

F82C-★ ★ D - ★ ★ 0

Port size	Substitute
1/4"	2
3/8"	3
Thread form	Substitute
PTF	A
ISO G (standard)	G

Bowl	Substitute
Transparent with guard (standard)	P
Metal with liquid indicator (optional)	D
Drain	Substitute
Manual (standard)	Q
Auto drain (standard)	A

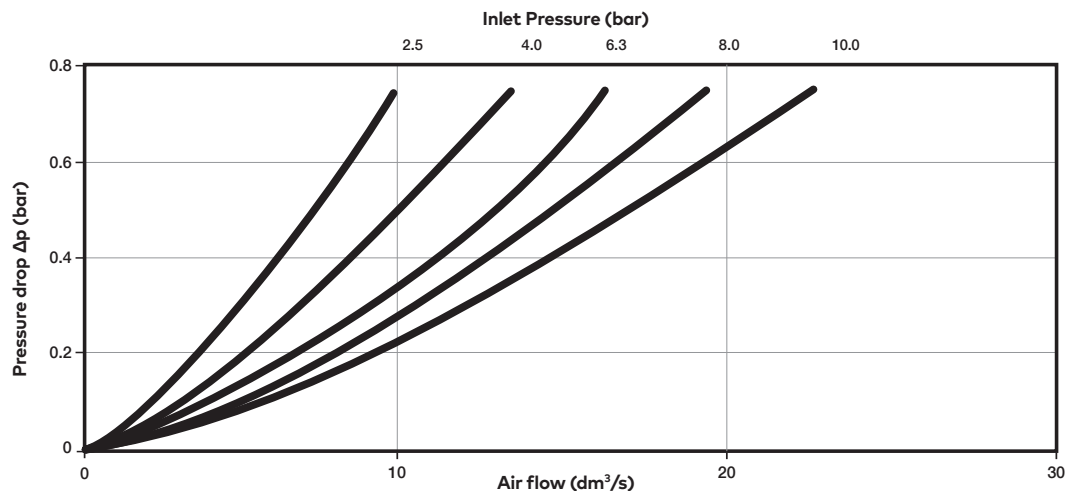
Flow characteristics

Port size: 1/4"  
Oil Removal Flow

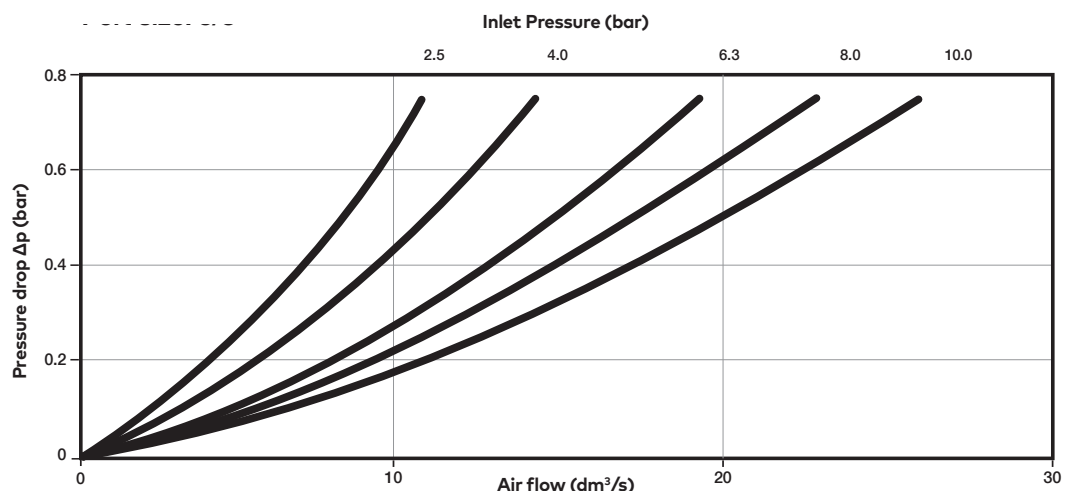
Inlet Pressure (bar)	Flow-rate to maintain media velocity of ISO12500-1 test on oil coalescing filter (dm <sup>3</sup> /s)
2.5	2,6
4	3,7
6.3	5,5
8	6,8
10	8,3

Dry Flow

Port size: 1/4"











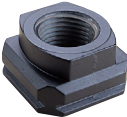
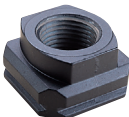
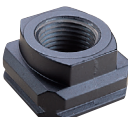
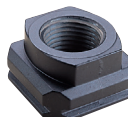


Port size: 3/8"





**Accessories**

<p><b>Wall mounting bracket</b></p>  <p><b>Page 4</b> 820024-50KIT</p>	<p><b>Quikclamp®</b></p>  <p><b>Page 4</b> 820014-51KIT</p>	<p><b>Quikclamp® with bracket assembled</b></p>  <p><b>Page 4</b> 820014-52KIT</p>	<p><b>Pressure sensing block 1/4 PTF</b></p>  <p><b>Page 4</b> 820016-50KIT</p>	<p><b>Pressure sensing block G1/4</b></p>  <p><b>Page 4</b> 820016-51KIT</p>
<p><b>Full flow porting block 3/8" PTF</b></p>  <p><b>Page 4</b> 820028-50KIT</p>	<p><b>Full flow porting block G3/8</b></p>  <p><b>Page 4</b> 820028-53KIT</p>			
<p><b>Pressure switch interface block (18D pressure switch)</b></p>  <p><b>Page 5</b> 0523109000000000</p>	<p><b>Pneumatic pressure switch 18D (0,5 ... 8 bar) *1)</b></p>  <p><b>Page 5</b> 0881300</p>	<p><b>Digital pressure switch 51D (-1 ... 10 bar) *2)</b></p>  <p><b>Page 5</b> 0860810</p>		
<p>*1) Flanged version. For other pressure ranges, please see data sheet 5.11.001 *2) For other pressure ranges, please see data sheet 5.11.385</p>				
<p><b>Port Adaptors 1/4 PTF</b></p>  <p><b>Page 5</b> 820015-02KIT</p>	<p><b>Port Adaptors 3/8 PTF</b></p>  <p><b>Page 5</b> 820015-03KIT</p>	<p><b>Port Adaptors G1/4</b></p>  <p><b>Page 5</b> 820015-08KIT</p>	<p><b>Port Adaptors G3/8</b></p>  <p><b>Page 5</b> 820015-09KIT</p>	



**Maintenance/Service**

Filter element  
0,01µm



820044-50KIT

Auto drain kit with  
metal Nut - Imperial



6000-61KIT

Auto drain kit with  
metal Nut - Metric



6000-60KIT

**Spare parts**

Filter Bowl (Guarded Poly bowl  
with auto drain 6 mm PIF)



820025-51KIT

Filter Bowl (Guarded Poly  
bowl with manual drain)



820025-50KIT

Filter Bowl (Metal with S/  
Glass & auto drain, 6 mm PIF)



820003-51KIT

Filter Bowl (Metal with S/  
Glass & manual drain)



820003-50KIT

Filter Bowl (Guarded Poly  
bowl with auto drain, 1/4 PIF)



820025-53KIT

Filter Bowl (Metal with S/  
Glass & auto drain, 1/4 PIF)

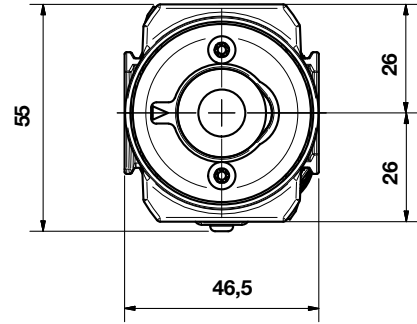
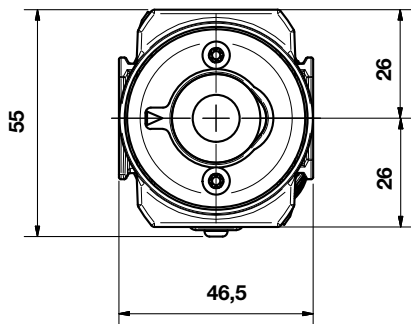
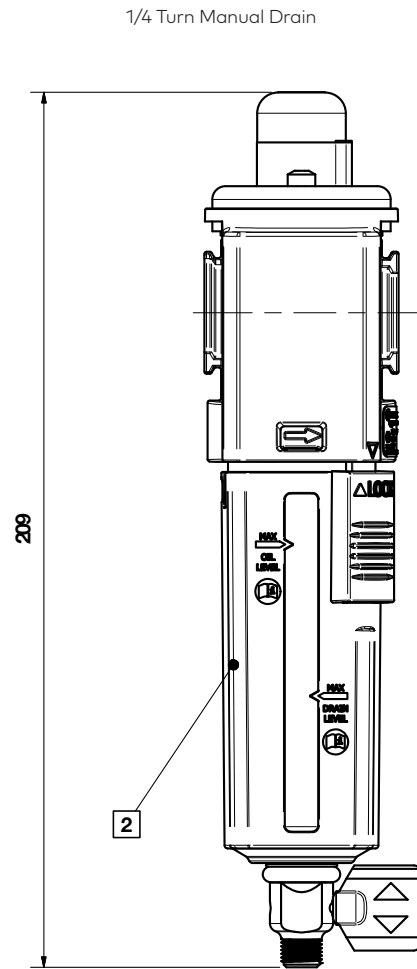
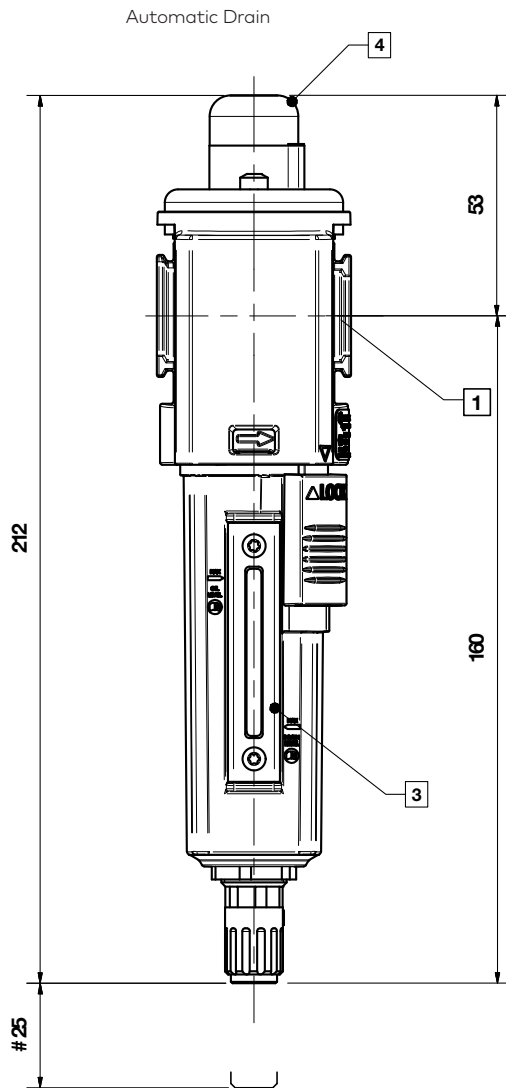


820003-56KIT



Dimensions

Dimensions in mm  
Projection/First angle



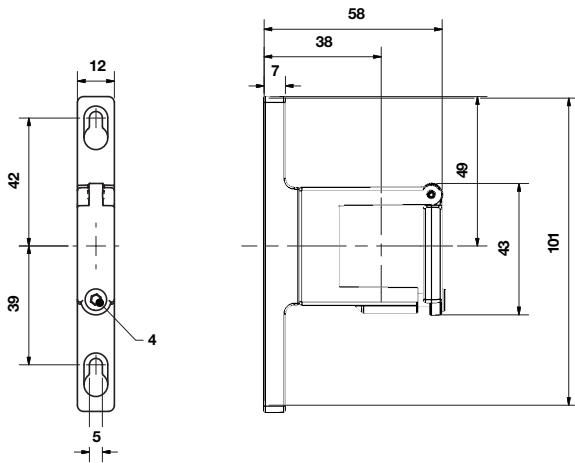
# Minimum clearance required to remove bowl

- 1 Main ports 1/4", 3/8" (ISO G/PTF)
- 2 Transparent bowl with guard
- 3 Metal bowl with liquid level indicator lens
- 4 Service indicator

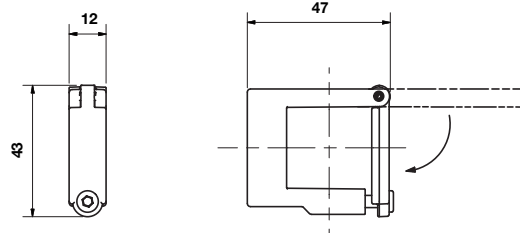


Accessories

Quikclamp® with wall bracket



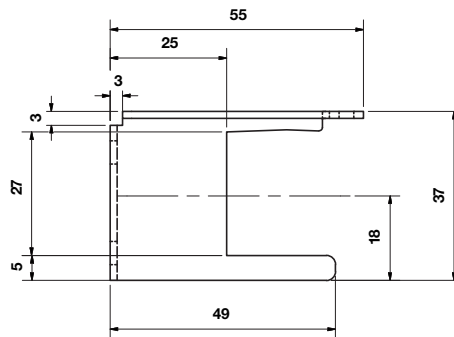
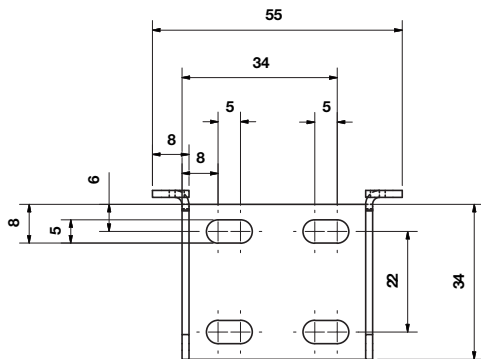
Quikclamp®



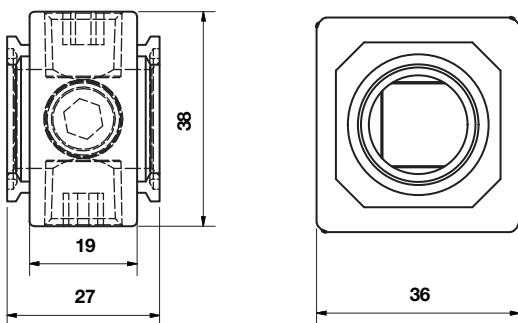
Dimensions in mm  
Projection/First angle



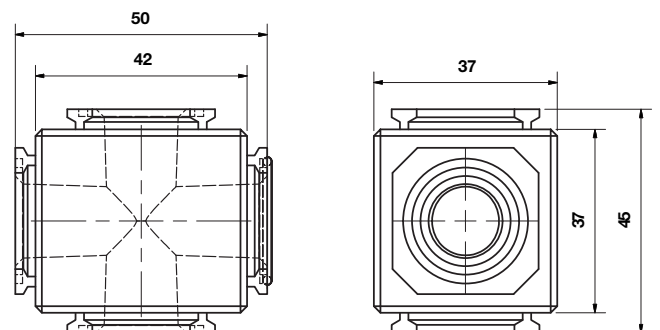
Mounting bracket



Pressure sensing block

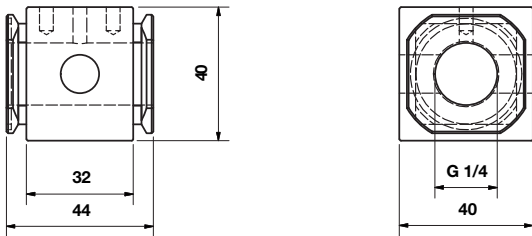


Full flow porting block



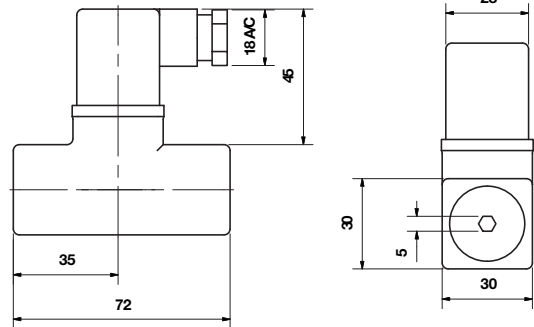


Porting block for 18D pressure switch

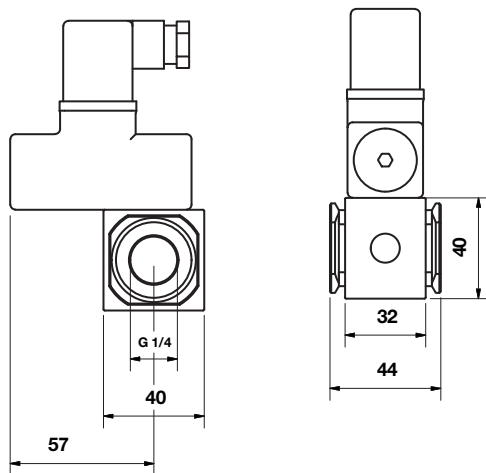


18D Pressure switch

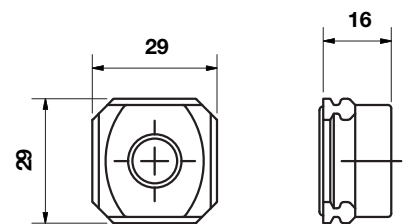
Dimensions in mm  
Projection/First angle



18D Porting block and 18D assembled



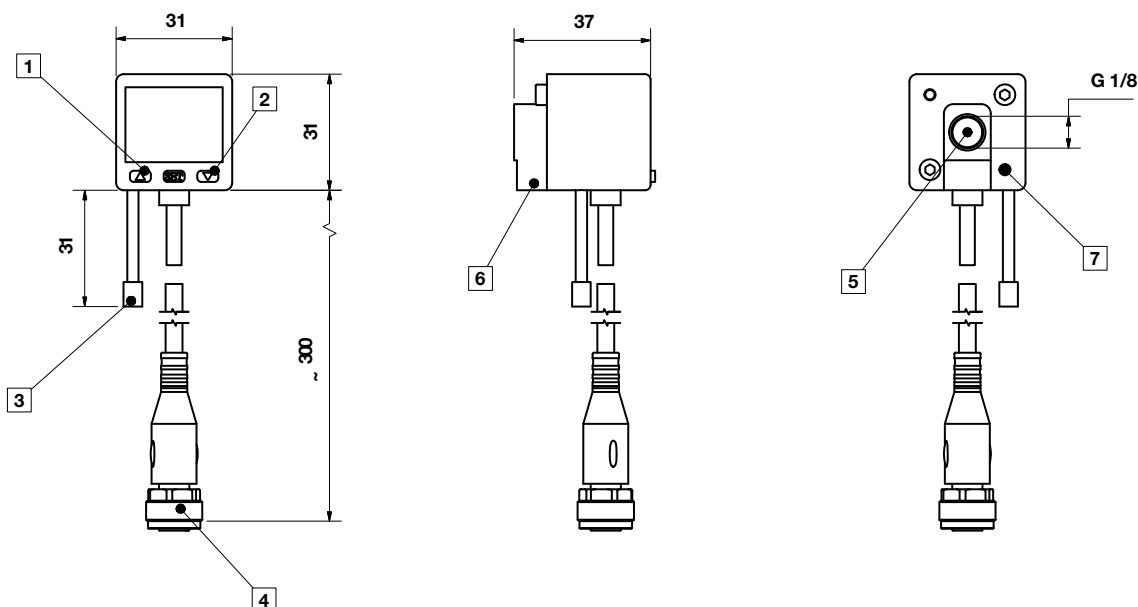
Pipe adaptor





51D Pressure switch - digital

Dimensions in mm  
Projection/First angle



- 1 Switch OUT 1, green LED
- 2 Switch OUT 2, red LED
- 3 Dustproof protector
- 4 Connector M12 x 1
- 5 Inlet port
- 6 Alternative inlet port G1/8 plugged
- 7 Thread for mounting screw

**Warning**

These products are intended for use in industrial compressed air systems only. Do not use these products where pressures and temperatures can exceed those listed under »**Technical features/ data**«.

Before using these products with fluids other than those specified, for non-industrial applications, life-support systems or other applications not within published specifications, consult Norgren Ltd.

Through misuse, age, or malfunction, components used in fluid power systems can fail in various modes.

The system designer is warned to consider the failure modes of all component parts used in fluid power systems and to provide adequate safeguards to prevent personal injury or damage to equipment in the event of such failure.

System designers must provide a warning to end users in the system instructional manual if protection against a failure mode cannot be adequately provided.

System designers and end users are cautioned to review specific warnings found in instruction sheets packed and shipped with these products.