

- > G1/8
- > For use in many applications where an electrical signal is required in response to a pneumatic signal
- > Can be wired for normally closed or normally open operation
- > Long life expectancy
- > Fixing screws supplied



Technical features

Medium:

Compressed air, filtered, lubricated and non-lubricated

Operation:

Pressure switch, adjustable

Mounting:

Holes in switch casing for self-tapping screws

Port Size:

G1/8

Operating Pressure:

2 ... 10 bar

Switching Pressure:

2± 0,5 bar

Electrical Connection:

Pg 9

Maximum current:

10 A at 125 - 250 V 50 Hz

0,5 A at 125 d.c.

0,25 A at 250 V d.c.

Switch Life:

2,000,000 operations at 3 A 125 -

250 V a.c.

100,000 - 200,000 operations at 10

A 125 - 250 V a.c.

Operating Temperature:

-5°C* ... +80°C

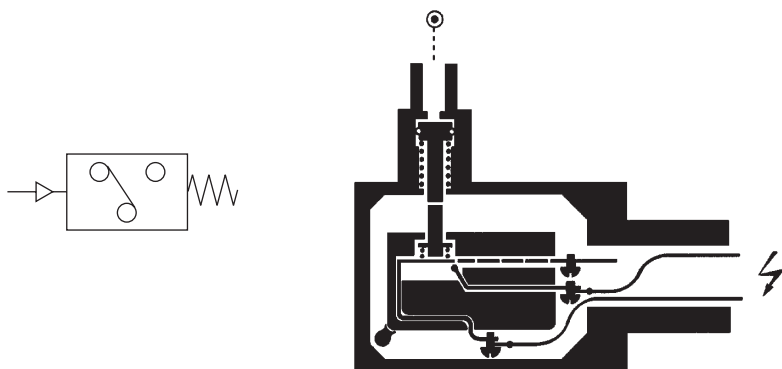
*Consult our Technical Service for use below +2°C

Materials:

Polyacetal casing, nitrile rubber seals.

Ordering Information:

To order, quote model number M/1339



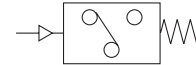
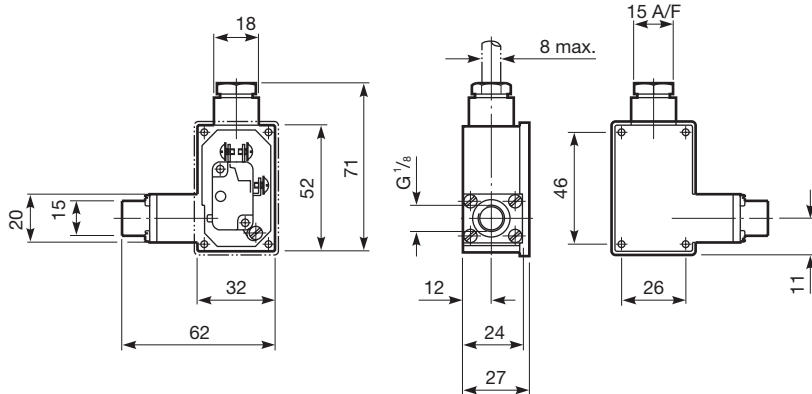
General Information

Model	Type	Port Size	Weight (kg)	Spares Kit
M/1339	Normally closed or normally open	G1/8	0,09	QM/1339/00

M/1339
Pressure Switch



Pressure switch



Model Number: **M/1339**

Type: Normally closed or normally open.

Common connection marked '1', normally closed connection marked '2' and normally open connection marked '3' on micro-switch.

The four mounting holes are cored to suit M3 x 9

mm long self-tapping screws, supplied with unit.

The micro-switch may be replaced with another

of the same type without affecting the operating

characteristics of the valve.

Warning

These products are intended for use in industrial compressed air systems only. Do not use these products where pressures and temperatures can exceed those listed under

»**Technical features/data**«.

Before using these products with fluids other than those specified, for non-industrial applications, life-support systems or other applications not within published specifications, consult IMI Precision Engineering.

Through misuse, age, or malfunction, components used in fluid power systems can fail in various modes.

The system designer is warned to consider the failure modes of all component parts used in fluid power systems and to provide adequate safeguards to prevent personal injury or damage to equipment in the event of such failure.

System designers must provide a warning to end users in the system instructional manual if protection against a failure mode cannot be adequately provided.

System designers and end users are cautioned to review specific warnings found in instruction sheets packed and shipped with these products.