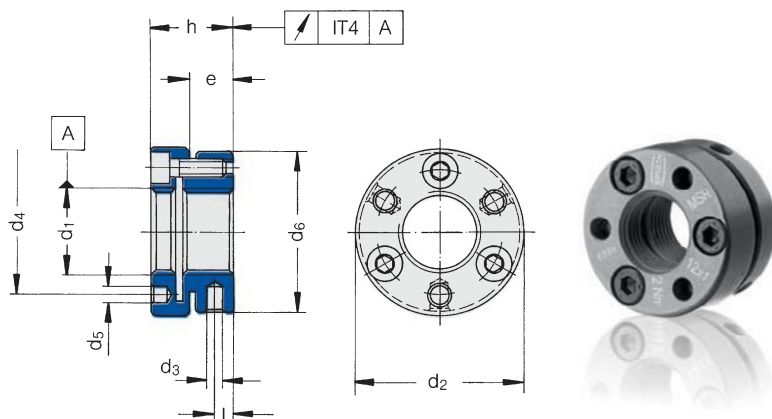


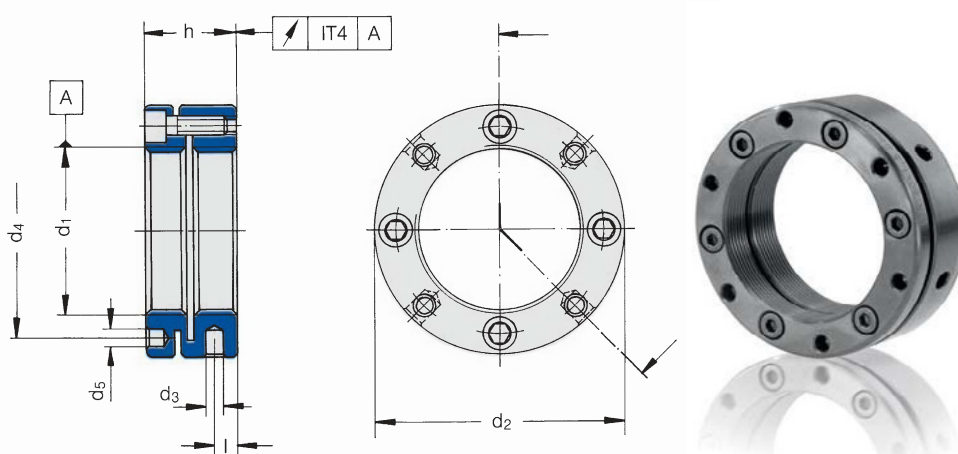
SPIETH LOCKNUTS SERIES MSR



The admissible operating loads specified in the table are guideline values calculated with a safety factor of 1.6

- under static stress relative to the minimum yield point,
- under dynamic stress relative to the minimum alternate strength.

Order No.	Dimensions in mm									Clamping screws			Calculation factor A	Calculation factor B	Perm. axial stress		Moment of inertia J			
	d ₁	d ₂	¹⁾ d ₃	¹⁾ d ₄	¹⁾ d ₅	d ₆	h	l	e	ISO 4762	M _A	No.			dyn.	stat.				
	ISO-5H	h11	H11		H11	h11					Nm				mm	N		kN	kN	kg cm ²
MSR 10.0,75	M10x0.75	24	2.5	17	3.2	22	14	3	6.5	M3	2	3	0.672	2457	12	16	0.025			
MSR 10.1	M10x1	24	2.5	17	3.2	22	15	3	6.5	M3	2	3	0.703	2457	12	15	0.027			
MSR 12.1	M12x1	26	3	19	3.2	25	14	3	6.5	M3	2	3	0.819	2438	14	19	0.037			
MSR 12.1,5	M12x1.5	26	3	19	3.2	25	15	3	6.5	M3	2	3	0.881	2438	13	18	0.040			
MSR 14.1,5	M14x1.5	32	4	22.5	4.3	30	16	3	7	M4	2.9	3	0.997	2995	17	22	0.096			
MSR 15.1	M15x1	33	4	23.5	4.3	31	16	3	7	M4	2.9	3	0.992	2984	19	25	0.108			



Order No.	Dimensions in mm								Clamping screws			Calculation factor A	Calculation factor B	Perm. axial stress		Moment of inertia J		
	d ₁	d ₂	¹⁾ d ₃	¹⁾ d ₄	¹⁾ d ₅	h	l	ISO 4762	M _A	No.	dyn.			stat.				
	ISO-5H	h11	H11		H11				Nm		mm			N	kN		kN	kg cm ²
MSR 16.1,5	M16x1.5	34	4	24.5	4.3	18	5	M4	2.9	4	1.112	3962	17	22	0.147			
MSR 17.1	M17x1	35	4	25.5	4.3	18	5	M4	2.9	4	1.108	3947	19	25	0.164			
MSR 18.1,5	M18x1.5	36	4	26.5	4.3	18	5	M4	2.9	4	1.228	3931	19	25	0.183			
MSR 20.1	M20x1	40	4	30.5	4.3	18	5	M4	2.9	4	1.281	3900	22	29	0.283			
MSR 20.1,5	M20x1.5	40	4	30.5	4.3	18	5	M4	2.9	4	1.344	3900	18	28	0.283			
MSR 22.1,5	M22x1.5	40	4	30.5	4.3	18	5	M4	2.9	4	1.459	3869	23	32	0.270			
MSR 24.1,5	M24x1.5	42	4	32.5	4.3	18	5	M4	2.9	4	1.575	3838	25	35	0.323			
MSR 25.1,5	M25x1.5	45	5	36.5	4.3	20	6.5	M4	2.9	4	1.633	3822	33	47	0.488			
MSR 26.1,5	M26x1.5	45	5	36.5	4.3	20	6.5	M4	2.9	4	1.690	3806	34	49	0.479			
MSR 28.1,5	M28x1.5	46	5	38.5	4.3	20	6.5	M4	2.9	4	1.805	3775	36	53	0.504			