



CAR FILLING



FUEL MANAGEMENT SYSTEMS



KITS



PUMPS



METERS



METERED NOZZLES

K24

FEATURES

- FLOW RATE INDICATION
- STANDARD AAA BATTERIES
- ROTABLE DISPLAY
- LOW BATTERY CONSUMPTION
- RUBBER PROTECTION

The K24 is PIUSI's exclusive turbine meter. Its compact design, accuracy and ease of use makes this flow meter an excellence in measuring AdBlue®. It is equipped with a compact and easy readable display that can be rotated in 4 different positions.



K24

PERFORMANCE

UP TO 120 L/MIN	10 BAR MAX
FLOW RATE	OPERATING PRESSURE
±1%	0,3%
ACCURACY	REPEATABILITY



K24 PULSE METER

PACKAGING

CODE	WEIGHT		PACKAGING		
	KG	LBS	MM	INCH	PCS/BOX
FOO40710A	0,4	0,9	BLISTER	BLISTER	1
FOO40721B	0,4	0,9	115X160X135	4,5X3X5,3	1



NOZZLES



FILTRATION



TANK MONITORING



HOSE REEL



ACCESSORIES



MERCHANDISE



AIR



ANTIFREEZE



AdBlue®



BIODIESEL



DIESEL



FOOD



GASOLINE



GREASE



KEROSENE



OIL

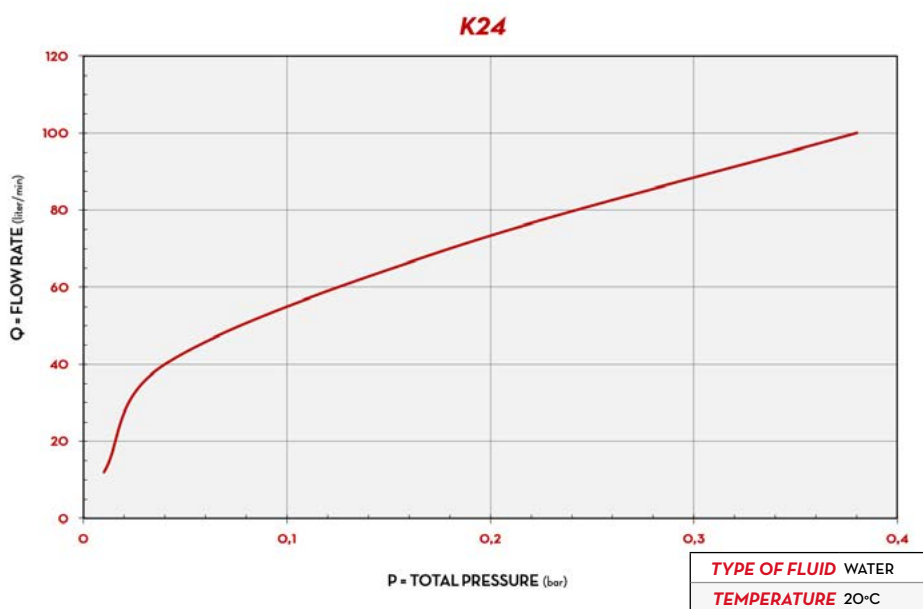


WATER



WINDSCREEN

CHART



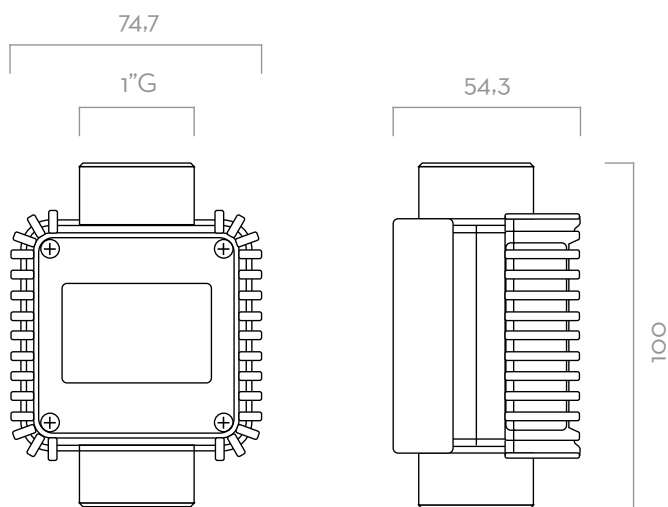
IN THE BOX

- K24 METER
- STAINLESS STEEL SOCKET
- INSTRUCTION MANUAL

DETAILS



DIMENSIONS



Dimensions expressed in millimeters

MATERIALS

- BODY: TECHNOPOLYMER
- TURBINE: TECHNOPOLYMER

TECHNICAL DATA

CODE	DESCRIPTION	FLUIDS TYPE	FLOW RATE		PRESSURE		DISPLAY	PULSE OUT (P/L)	
			L/MIN	GPM	BAR	PSI		PULSE VERSION	DISPLAY VERSION
FOO40710A	K24 METER (1 SOCKET)	Ad W	5 · 120	1,3-26,4	10	145	YES	-	-
FOO40721B	K24 PULSE-METER (1 SOCKET) (87,73 PULSE/L)	Ad W	5 · 120	1,3-26,4	10	145	NO	88	-

K24