



Configurator ERV Rubber Expansion Joints

Part Number: ERV-CR 50.16



Note: Components not true to scale. Picture may differ from original product.

© ELAFLEX HIBY, Hamburg / Germany

Bellows

ERV-CR

CR expansion joints for cold and warm water, swimming pool water, sea water, waste water (weakly sour or alkaline) also oil containing, cooling water with protective oils against corrosion, lubricating oil, grease and air, compressed air. Temperature (depending on medium) -25° C up to +90° C, temporarily up to +100° C. Electrically non-conductive.

Not suitable for drinking water, acids, alkalis, chemicals, heating oil, diesel, gasoline and jet fuel, petroleum, solvents, other hydrocarbons and hot compressed air.

Cover: Chloroprene CR

Liner: Chloroprene CR, seamless, abrasion resistant

Marking: White imprint 'CR', ERV DN ..., PN ..., production date

Size DN

DN 50 mm / 2"

Length

BL 130 mm

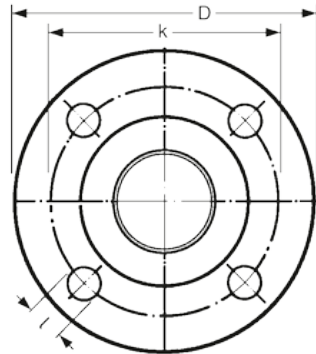
Flange 1

DIN PN 16

Dimension: D: 165 mm, k: 125 mm, 4 holes, l: 18 mm



Configurator ERV Rubber Expansion Joints



- Material 1 **Zinc Plated Steel**
- Flange 2 **Same as first flange**
- Material 2 **Same as first material**
- Limiters **Without limiter**
Without limiter (Standard)
- Accessories **No further accessories**
- Flame Protection **Without flame protection**
Without flame protection (Standard)

Permissible Vacuum [mbar] for Type ERV-CR

DN	25	32	40	50	65	80	100	125	150	200	250	300	350	400	450	500	600	700	800	900	1000
no VSD / VSR	max.	max.	max.	max.	-700	-600	-400	-300	-300	-300	-200	-100									
with VSD				max.	max.	max.	max.	max.	max.	-600	-400	-200									
with VSR								max.	max.	max.	max.	max.	max.	max.			-700	-700			
with VSRV																	max.	max.	max.	-700	-700
with TAS				max.	max.	max.	max.	max.	max.	-600	-400	-200									
with TA																					

Data measured at room temperature with new expansion joints in standard length and non swelling media. For swelling media use a safety factor.
 A compressed installation improves the in the table listed vacuum resistance. The maximum permissible elongation (L max.) reduces the vacuum resistance by 50%.
 For this case we recommend to use vacuum support spirals or vacuum support rings (see catalogue page 468).
 Dependencies of overpressure, range of movement and temperature please see table on catalogue page 404.

Contact:

ELAFLEX HIBY GmbH & Co. KG
 Internet: www.elaflex.com