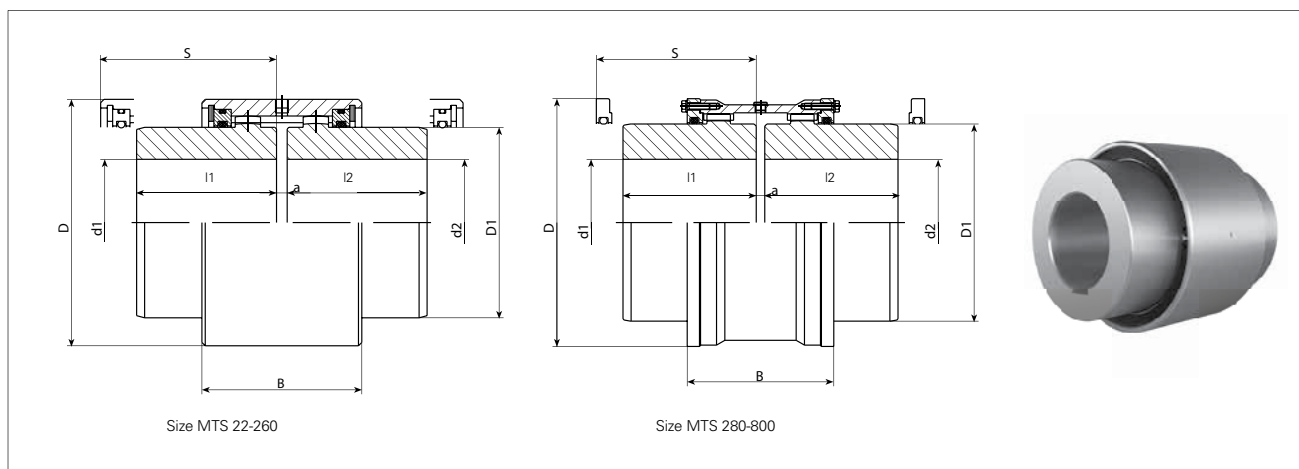


# MTS WITH SINGLE SLEEVE

INDUSTRIAL



Designation example: **MTS-145**

SIZE	TN NOMINAL (1)	TP MAX (1)	n MAX (8)	GENERAL DIMENSIONS (mm)							WEIGHT MAX. (5)	WEIGHT MIN. (6)	MOMENT OF INERTIA (5)	GREASE QTY. (7)
MTS	Nm	Nm	rpm	D	D1	B	d1-d2 (Min-Max) (2)(3)	l1-l2	a	S(4)	kg	kg	J (kgm <sup>2</sup> )	kg
22	500	1000	12000	56	36	47	8-22	30	4	57	0,88	0,73	0,0003	0,006
32	650	1300	10500	70	48	56	10-32	40	4	71	1,80	1,34	0,001	0,011
38	750	1500	9500	80	56	68	14-38	45	4	84	2,71	2,02	0,002	0,017
50	1150	2300	9000	96	68	74	18-50	55	6	91	4,68	3,20	0,005	0,024
55	2600	5200	7000	112	80	85	20-58	70	6	108	7,84	5,28	0,011	0,054
70	5000	10000	5600	140	101	106	20-75	80	6	130	14,88	9,65	0,033	0,044
90	8600	17200	4700	164	124	116	25-95	95	8	145	24,41	14,51	0,073	0,056
100	14000	23000	4200	185	143	120	30-105	105	8	150	34,10	20,84	0,128	0,098
125	20600	41200	3600	215	170	130	35-130	120	8	165	53,56	29,71	0,270	0,13
145	33000	66000	3150	255	205	150	45-150	135	10	195	85,52	51,29	0,622	0,14
165	45600	91200	2860	280	216	170	55-165	150	10	215	109,66	64,70	0,963	0,35
185	61400	122300	2580	317	250	190	60-190	170	10	245	163,18	94,56	1,835	0,44
205	80800	161600	2320	345	275	210	70-210	185	12	275	213,28	122,32	2,873	0,53
230	105500	211000	2200	374	300	226	100-230	200	12	295	260,76	152,57	4,263	0,77
260	161000	322000	2000	414	340	266	115-260	230	12	355	374,87	217,46	7,659	1,5
280	220000	440000	1800	465	370	275	140-280	250	16	345	446	355	11,12	2,8
310	250000	500000	1600	505	410	295	160-310	270	16	375	558	441	16,21	3,4
345	320000	640000	1500	548	450	315	180-345	290	16	400	712	557	25	3,5
370	400000	800000	1400	588	490	350	210-370	325	20	450	906	720	37,5	4,8
390	510000	1020000	1300	640	520	370	230-390	345	20	480	1100	889	53,25	6,9
420	660000	1320000	1200	690	560	390	250-420	365	20	510	1360	1104	77,5	7,7
460	780000	1560000	1100	730	600	430	275-460	400	20	560	1715	1380	114	9,0
500	1000000	2000000	1050	780	650	440	300-500	410	25	570	1958	1554	146	10,7
550	1200000	2400000	950	850	710	460	325-550	430	25	600	2464	1942	218	11,0
590	1600000	3200000	900	910	760	500	350-590	470	25	660	3050	2396	308	15,5
620	1800000	3600000	850	970	810	530	375-620	500	30	700	3720	2969	430	15,7
650	1900000	3800000	800	1020	840	550	400-650	520	30	730	4160	3318	532	18,3
680	2100000	4200000	750	1080	890	574	425-680	540	30	755	4720	3782	668	24,8
730	2600000	5200000	700	1150	950	604	450-730	570	30	800	5730	4569	922	27,7
800	3800000	7600000	660	1270	1050	634	475-800	600	30	850	7520	5987	1455	35,8

From size 185 (included) the coupling is supplied by default with puller holes. If required, puller holes can also be made for smaller sizes.

Setscrews can be included upon request. Adapted hub length available upon request.

ATEX certifications are available. Please, contact Regal's Jaure® product engineering to define the zone and category.



- (1) The torque of the coupling does not include the connection transmission capacity.
- (2) Minimum dimensions refer to already machined bore. For A00 rough bore dimensions contact Regal's Jaure® product engineering.
- (3) Max. allowable bore for couplings with DIN 6885/1 keys.

- For other types of keys or connections please contact Regal's Jaure® product engineering.
- (4) Clearance to align coupling hubs and replacement of sealing rings.
- (5) Weight and moment of inertia are given for minimum bore.

- (6) Weight is given for maximum bore.
- (7) The amount of grease indicated in the catalogue is for guidance only. For exact amount please refer to coupling instructions.
- (8) n MAX speed for balanced couplings. For higher speeds contact Regal's Jaure® product engineering.

Technical modifications reserved