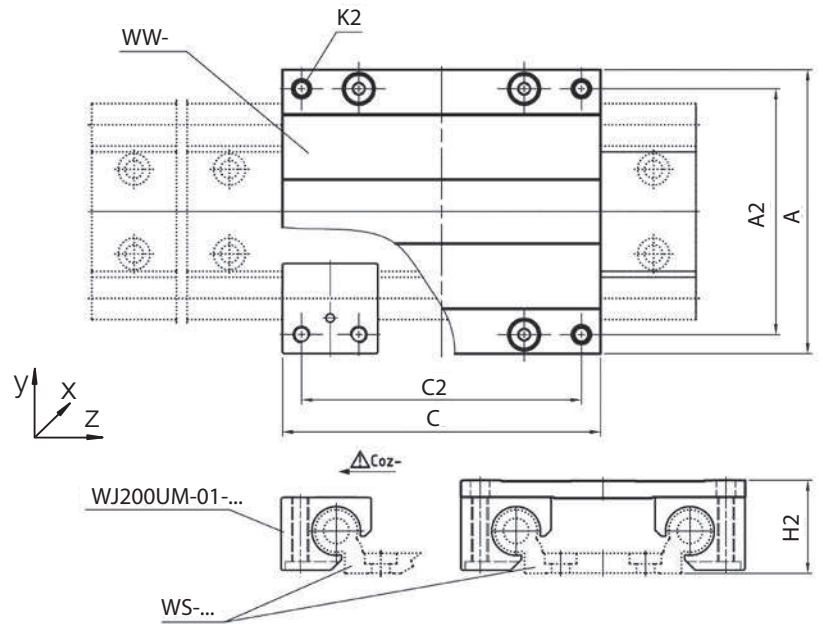
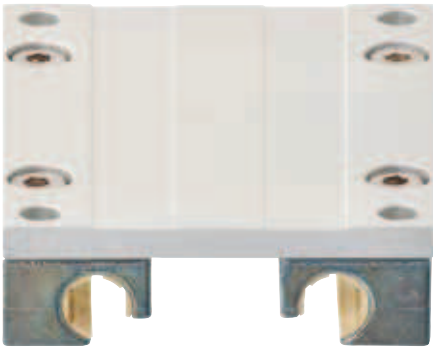


Assembled guide carriage, round



In the following sizes, also available with adjustable clearance:
10, 16 and 20; order example: WWE-10-40-15

Technical data and dimensions [mm]

Part No. ⁵⁴⁾	Weight [kg]	A Width	C Length	A2	C2	K2	H2 ⁵⁷⁾ ±0.25	Static load capacity				
								Coy [N]	Coz [N]	Mox [Nm]	Moy [Nm]	Moz [Nm]
WW-10-40-10	0.29	73	100	60	87	M6	24	4,800	2,400	96	170	170
WW-10-40-15	0.34	73	150	60	137	M6	24	4,800	2,400	96	290	290
WW-10-40-20	0.40	73	200	60	187	M6	24	4,800	2,400	96	410	410
WW-10-80-10	0.34	107	100	94	87	M6	24	4,800	2,400	178	170	170
WW-10-80-15	0.42	107	150	94	137	M6	24	4,800	2,400	178	290	290
WW-10-80-20	0.50	107	200	94	187	M6	24	4,800	2,400	178	410	410
WW-10-120-10	0.41	153	100	140	87	M6	24	4,800	2,400	288	170	170
WW-10-120-15	0.54	153	150	140	137	M6	24	4,800	2,400	288	290	290
WW-10-120-20	0.66	153	200	140	187	M6	24	4,800	2,400	288	410	410
WW-16-60-10	0.71	104	100	86	82	M8	35	8,400	4,200	240	270	270
WW-16-60-15	0.84	104	150	86	132	M8	35	8,400	4,200	240	480	480
WW-16-60-20	0.97	104	200	86	182	M8	35	8,400	4,200	240	690	690
WW-20-80-15	1.20	134	150	116	132	M8	44	12,800	6,400	525	670	670
WW-20-80-20	1.30	134	200	116	182	M8	44	12,800	6,400	525	990	990
WW-20-80-25	1.50	134	250	116	232	M8	44	12,800	6,400	525	1,250	1,250
WW-25-120-15	2.54	195	150	173	128	M10	55	19,200	9,600	1,250	880	880
WW-25-120-20	2.80	195	200	173	178	M10	55	19,200	9,600	1,250	1,360	1,360
WW-25-120-25	3.07	195	250	173	228	M10	55	19,200	9,600	1,250	1,840	1,840

⁵⁷⁾ Height dimension minus the bearing clearance tolerance ⁵⁴⁾Optionally available with hand clamp suffix "-HKA"

Can be combined with:



WS-...



WS-...-ES-FG



WSX-...

Suitable liner materials:



igidur® J



igidur® J200



igidur® X



igidur® E7



igidur® A180