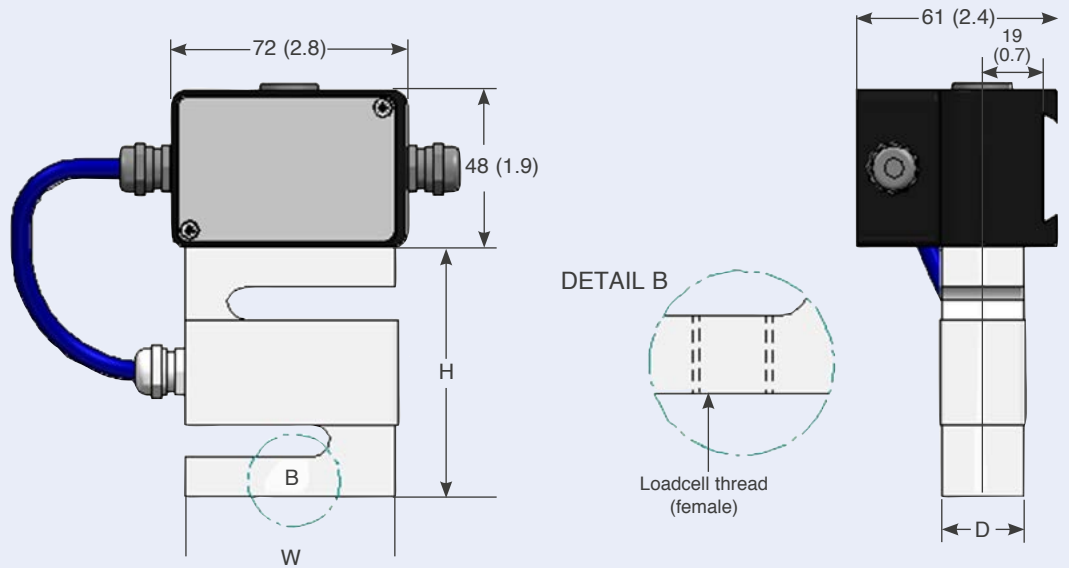


# MultiTest 5-i

## Intelligent Loadcell ILC-S



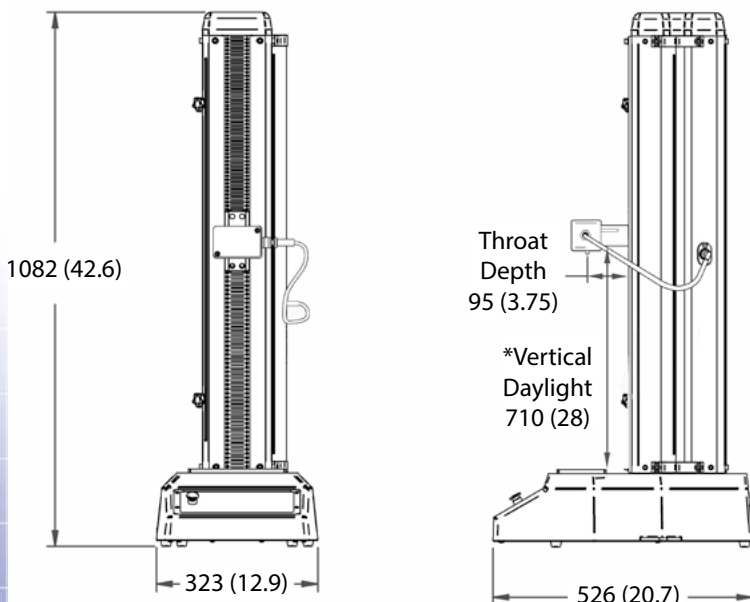
**NOTE:** Compatible with all test stands of equal or higher capacity than loadcell  
Requires adaptor 432-256 to fit to MultiTest 10-i, 25-i and 50-i



ILC-S capacity	Part No.	Thread	Overall daylight reduction	Loadcell width (W)	Loadcell depth (D)	Loadcell height (H)	Total daylight reduction using twin-column dovetail (432-256)
100 N	879-064	M6 x 1	70 (2.7)	51 (2)	13 (0.5)	64 (2.5)	154 (6)
200 N	879-065	M6 x 1	70 (2.7)	51 (2)	13 (0.5)	64 (2.5)	154 (6)
500 N	879-066	M6 x 1	82 (3.2)	51 (2)	19 (0.7)	76 (2.9)	166 (6.5)
1000 N	879-067	M10 x 1.5	82 (3.2)	51 (2)	19 (0.7)	76 (2.9)	166 (6.5)
2500 N	879-008	M12 x 1.75	82 (3.2)	51 (2)	25 (1)	76 (2.9)	166 (6.5)
5000 N	879-024	M12 x 1.75	82 (3.2)	51 (2)	25 (1)	76 (2.9)	166 (6.5)

All measurements are in millimetres and (inches)

\* measured without loadcell or grips



### ILC-S Load Measurement Accuracy

% of full scale (fs)	N
± 0.1% fs	100 N - 2500 N
± 0.2% fs	5000 N