

R2D140-AB02-14

AC centrifugal fan

forward-curved



ebm-papst Mulfingen GmbH & Co. KG

www.ebmpapst.com

Nominal data

Type	R2D140-AB02-14	
Motor	M2D068-CF	
Phase		3~
Nominal voltage	VAC	400
Wiring		Y
Frequency	Hz	50
Method of obtaining data		fa
Valid for approval/standard		CE
Speed (rpm)	min ⁻¹	2170
Power consumption	W	150
Current draw	A	0.24
Min. ambient temperature	°C	-25
Max. ambient temperature	°C	90

ml = Max. load · me = Max. efficiency · fa = Free air · cs = Customer specification · ce = Customer equipment
Subject to change



R2D140-AB02-14

AC centrifugal fan
forward-curved

Technical description

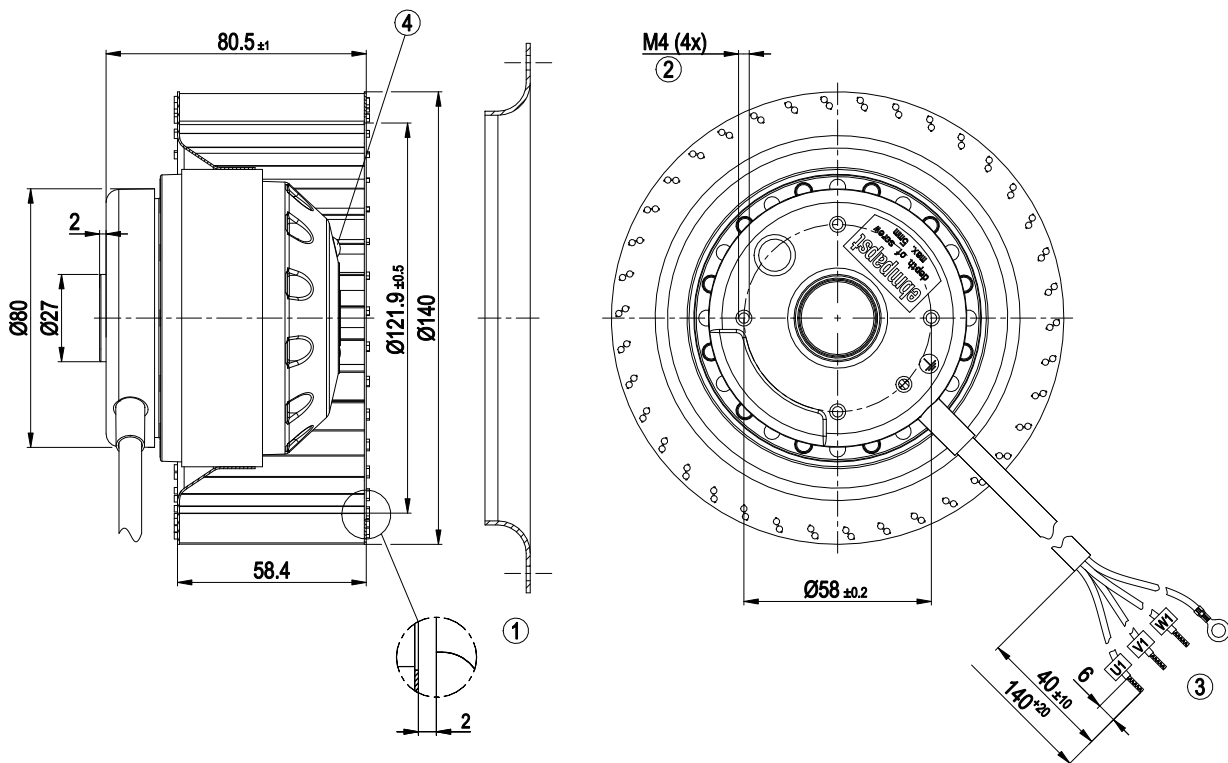
Weight	1.6 kg
Fan size	140 mm
Rotor surface	Painted black
Impeller material	Sheet steel, galvanized and painted black
Direction of rotation	Clockwise, viewed toward rotor
Degree of protection	IP54
Insulation class	"F"
Moisture (F) / Environmental (H) protection class	F2-2
Max. permitted ambient temp. for motor (transport/storage)	+ 80 °C
Min. permitted ambient temp. for motor (transport/storage)	- 40 °C
Installation position	Shaft horizontal or rotor on bottom; rotor on top on request
Condensation drainage holes	On rotor side
Mode	S1
Motor bearing	Ball bearing
Touch current according to IEC 60990 (measuring circuit Fig. 4, TN system)	< 0.75 mA
With cable	Lateral
Protection class	I (with customer connection of protective earth)
Approval	CSA C22.2 No. 100; UL 1004-1



R2D140-AB02-14

AC centrifugal fan forward-curved

Product drawing



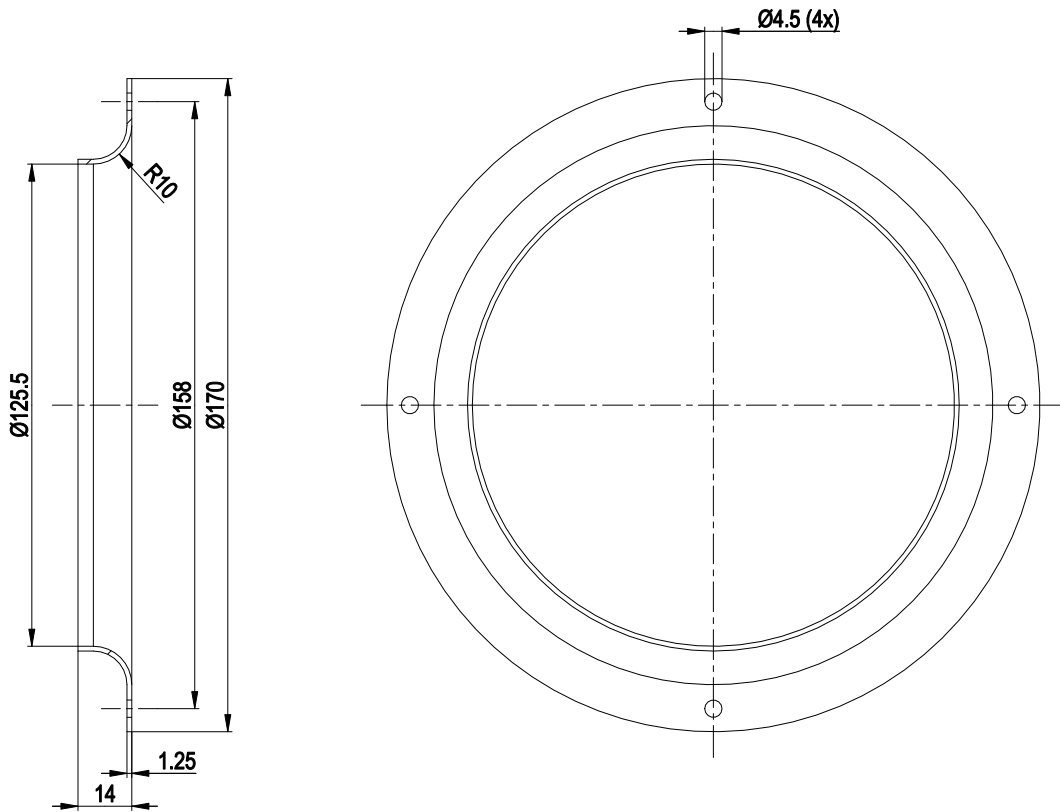
- | | |
|---|---|
| 1 | Accessory part: inlet ring 09576-2-4013 not included in scope of delivery |
| 2 | Max. clearance for screw 5 mm |
| 3 | Cable PFA AWG20 (green/yellow AWG18), 3x splices and 1x ring terminal Ø 4.3 crimped |
| 4 | Condensation drainage holes sealed with expanding rivets |

R2D140-AB02-14

AC centrifugal fan

forward-curved

Accessory part



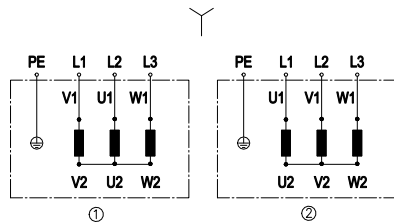
1 Accessory part: inlet ring 09576-2-4013 not included in scope of delivery

R2D140-AB02-14

AC centrifugal fan

forward-curved

Connection diagram



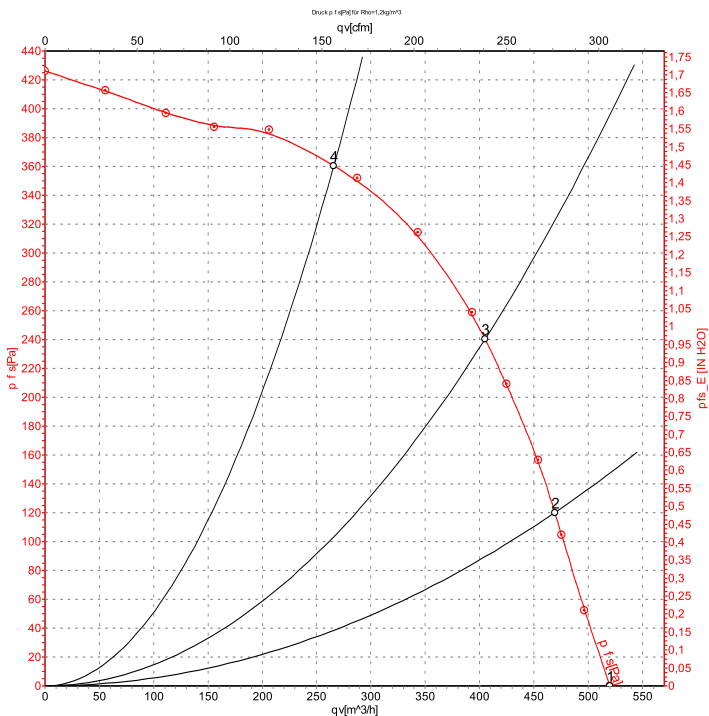
Change of rotation direction by reversing two phases

	Three-phase motor
Y	Star connection
1	Counterclockwise operation
L1	= V1 = blue
L2	= U1 = black
L3	= W1 = brown
2	Clockwise operation
L1	= U1 = black
L2	= V1 = blue
L3	= W1 = brown
PE	green/yellow

R2D140-AB02-14

AC centrifugal fan
forward-curved

Curves: Air performance 50 Hz



Measurement: LU-43471-1

Air performance measured according to ISO 5801 installation category A. For detailed information on the measurement setup, contact ebmpapst. Intake sound level: Sound power level according to ISO 13347 / sound pressure level measured at 1 m distance from fan axis. The values given are valid under the specified measuring conditions and may vary due to conditions of installation. For deviations from the standard configuration, the parameters have to be checked on the installed unit.

Measured values

	U	f	n	P _e	I	q _v	P _{ts}	q _v	P _{ts}
	V	Hz	min ⁻¹	W	A	m ³ /h	Pa	cfm	inH2O
1	400	50	2170	150	0.24	520	0	305	0.00
2	400	50	2255	139	0.23	470	120	275	0.48
3	400	50	2365	123	0.21	405	240	240	0.96
4	400	50	2580	89	0.18	265	360	155	1.45

U = Power supply · f = Frequency · n = Speed (rpm) · P_e = Power consumption · I = Current draw · q_v = Air flow · p_s = Pressure increase

