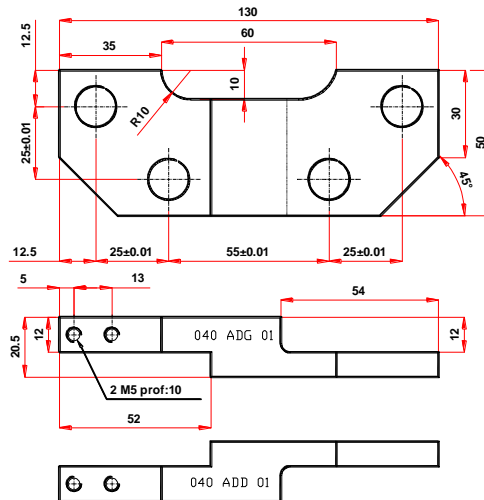


Accessories

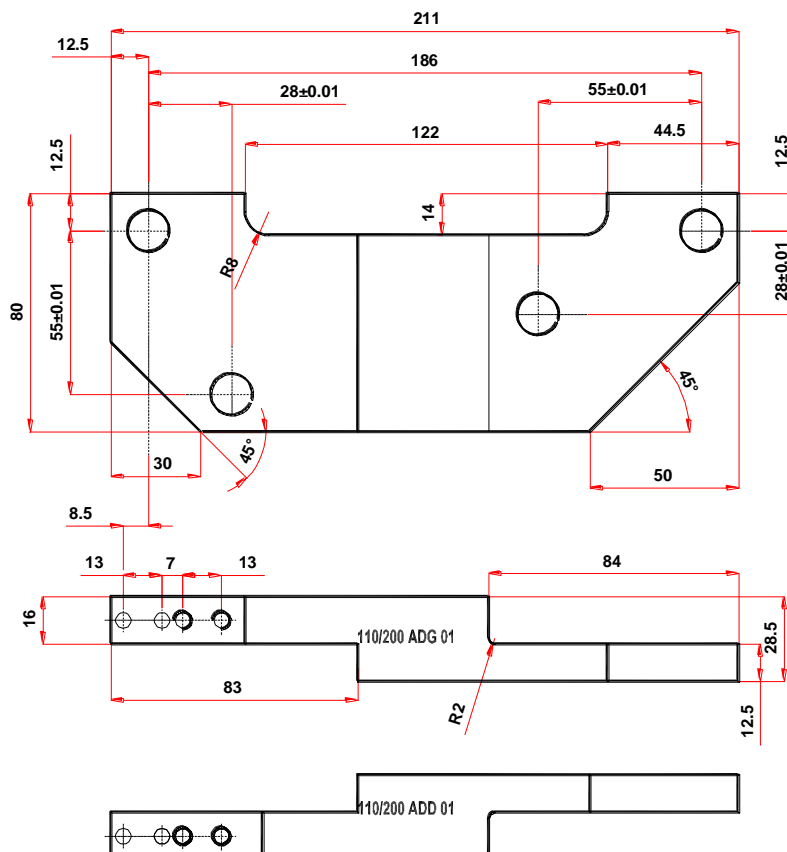
6 Accessories

6.1 CNOMO adapting plates

- CNOMO adapting plates for size 040



- CNOMO adapting plates for size 110, 110-200, 200.

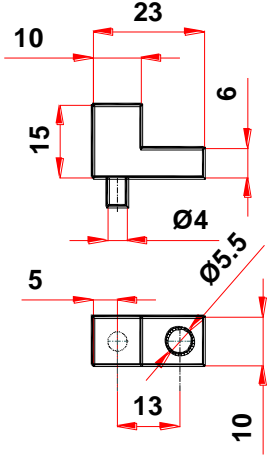


Accessories

6.2 Stoppers

Stopper for CNOMO clamp size 040

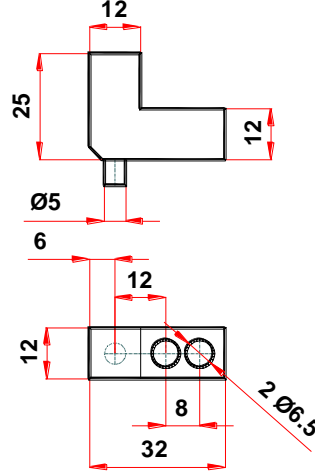
(Delivered with the clamp)



Complete reference, see → 8. « Spare part », page 15

Stopper for CNOMO clamp size 110,110-200,200

(Delivered with the clamp)



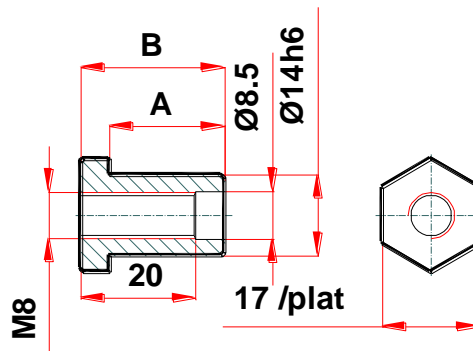
6.3 Centering barrels

Complete reference, see → 8. « Spare part », page 15

6.3.1 Standard centering barrel

Series CP-01 size :	040	110 110-200 200
Dimension A :	20 mm	28 mm
Dimension B :	25 mm	33 mm

Model delivered with the clamp.



6.3.2 Expansible centering barrel

Series CP-01 size :	040	110 110-200 200
Dimension A :	20 mm	28 mm
Dimension B :	25 mm	33 mm

Advantage : easier mounting removal

