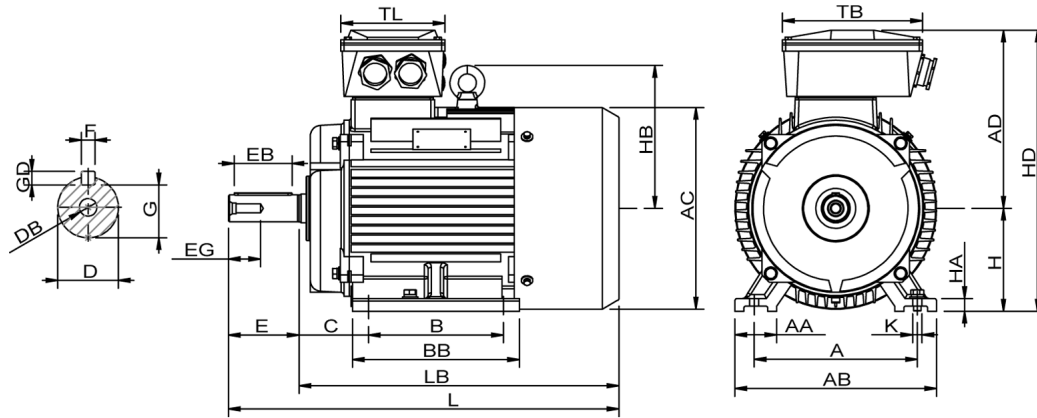


# Data Sheet

Itemnumber....: 3242252109



A = 356	AC = 463	BB = 393	DB = M20	EG = 56	GD = 11	HB = 307	L = 897	TL = 192
AA = 75	AD = 347	C = 149	E = 140	F = 18	H = 225	HD = 572	LB = 754	
AB = 431	B = 311	D = 60	EB = 110	G = 53	HA = 28	K = 18,50	TB = 260	

**Version**

Type.....: HMC2 225M1-4  
 Design.....: Induction motor  
 Standard series.....: IEC 60034  
 Phase / Voltage range.....: 3~ / Low

**Electrical design**

Efficiency.....: IE2  
 Pole.....: 4  
 Power at 50 Hz (kW).....: 55,0  
 Hz.....: 60 (60 Hz output)  
 Voltage.....: 440VD  
 Winding voltage.....: 400VD/690VY 50 Hz  
 Power output (kW).....: 64,0  
 Duty.....: S1  
 Insulation class.....: F  
 Temperature rise.....: B

**Motor protection**

Thermal protection main....: PTC 3x 155 dgr  
 Thermal protection second...: None  
 Space heater.....: 1x 230V 80W  
 Temperature detector.....: No  
 SPM.....: No  
 IR wire.....: No  
 Tropical insulation.....: Yes

**Explosion protection**

According to.....: None  
 Type of protection.....: None

**General**

Direction of rotation.....: CW  
 Painting.....: RAL 9005  
 Nameplate.....: Multivoltage + VFD  
 Special packing.....: No  
 Special requirements.....: No

**Mechanical design**

Frame size.....: 225M1  
 Mounting.....: B3  
 Rain cap.....: No  
 Protection class.....: IP55  
 Cooling method.....: IC411/TEFC  
 External grounding.....: Yes  
 Drain hole.....: Yes  
 Frame material.....: Cast Iron  
 Material approval.....: None  
 Shaft.....: IEC Standard  
 Key.....: Closed key  
 Balancing.....: Half key balancing  
 Vibration class.....: Grade-A  
 Weight (kg).....: 410

**Environment condition**

Ambient temp. min. (°C)..: -20  
 Ambient temp. max. (°C)..: 45  
 Altitude (mtr up to).....: 1000

**Bearing**

DE Bearing.....: 6314-ZZ/C3  
 NDE Bearing.....: 6313-ZZ/C3  
 Fixed bearing.....: DE

**Terminal box**

Tbox position.....: Top  
 Cable entry direction.....: Right (from DE)  
 Cable entry  
     Main.....: 2 x M50x1,5  
                     Ø32-38mm metal  
     Accessory.....: 2 x M20x1,5  
                     Metal blindcaps  
 Terminal board thread.....: 6-M8

**Test values**

Rotor inertia (kgm²).....: 0,90  
 No load current (A).....: 39,0  
 Winding resist. (ohm).....: 0,099  
 Starting time (sec.).....: 0,17

Rated power (kW)	55,0	53,5	66,0	64,0
Frequency (Hz)	50	50	60	60
Voltage (V)	400 690	380 660	480 830	440
Connection	D Y	D Y	D Y	D
Full load current (A)	99,5 57,5	102 59,5	99,5 57,5	104
Speed (rpm)	1490	1490	1780	1780
Power factor cos(phi)	0,85	0,86	0,85	0,87
Efficiency, 100/75/50 (%)	93,5/ 93,6 /93,1	93,5/ 93,6 /93,1	93,5/ 93,6 /93,1	93,0/ 93,2 /92,6
Ist/In	6,90	6,05	6,90	6,35
Full load torque (Nm)	355	345	355	345
Tst/Tn	2,30	2,14	2,30	1,98
Tmax/Tn	3,25	3,00	3,25	2,80
Duty	S1	S1	S1	S1
Ambient temp. (°C)	40	45	40	45