

PARTS COMPRESSOR

...

PISTON AND CONNECTING ROD

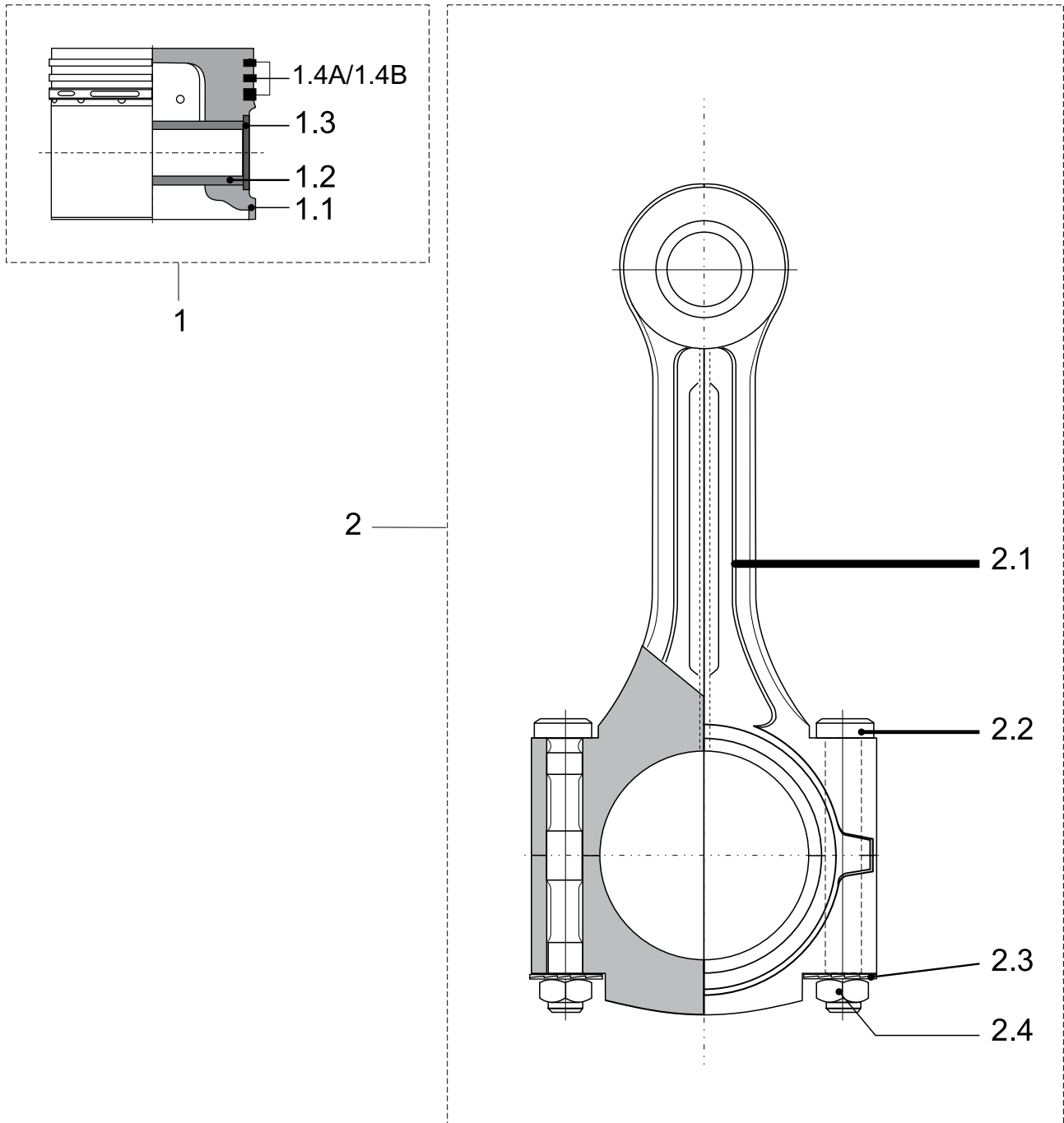


Fig. 6 PISTON AND CONNECTING ROD

PARTS COMPRESSOR

...

PISTON AND CONNECTING ROD					
Pos	Description	Dims.	Item ref.	Qty	Remarks
1	PISTON ASSY	85 5HP	2495030	1	NH3 (R717) Instead of p/n 2436010. More info refer Section 3.1, Page 63
1.1	PISTON	85GR6H	*	1	
1.2	GUDGEON PIN	26x16x68 R6	2436260	1	
1.3	SAFETY RING		*	2	
1.4A	PISTON RING SET	85GR6	0974084	1	For old piston p/n 2436010
1.4B	PISTON RING SET	85GR6	0974084	1	For piston p/n 2495030
2	CONNECTING ROD	60x170xG R6	2436500	1	
2.1	CONNECTING ROD	170GR6	*	1	
2.2	CONNECTING ROD BOLT	MF8	0111401	2	
2.3	LOCKING RING SET	M8	1139400	2	in two pieces
2.4	HEXAGON NUT	MF8x1	0147405	2	

...