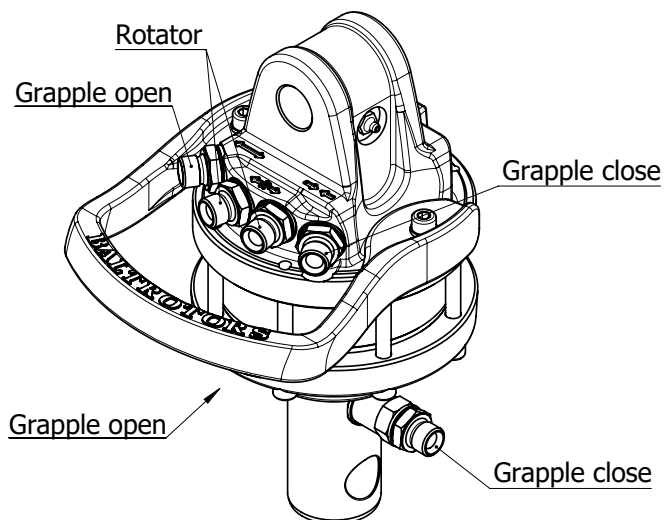
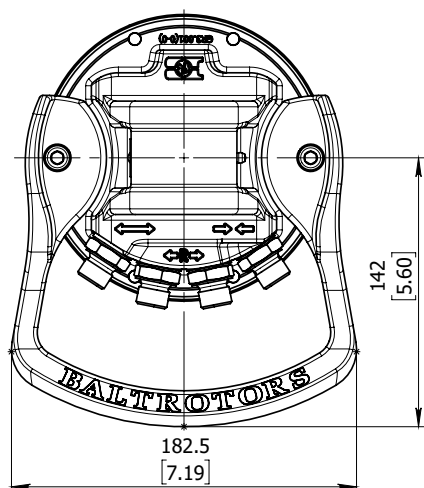
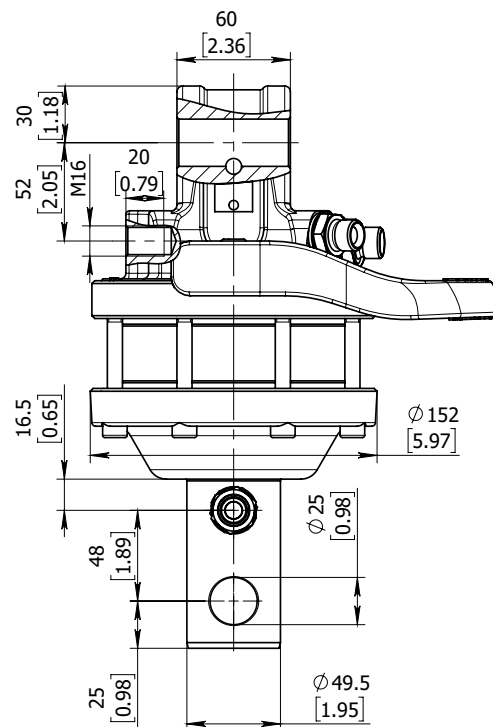
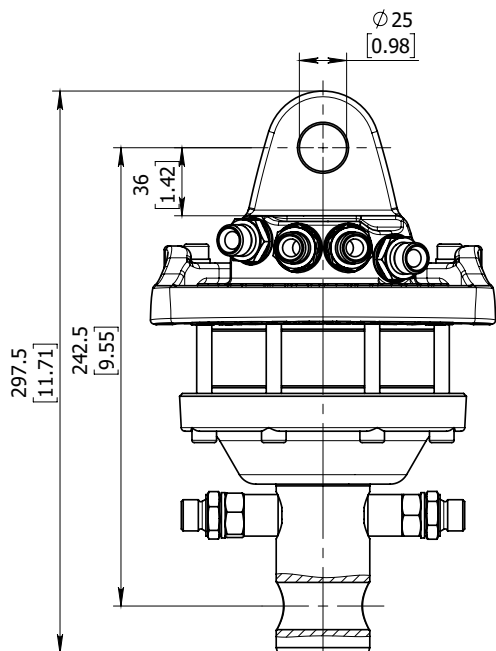


ROTATOR GR30



Technical data

Rotation	Unlimited
Max axial load static, KN (lbf)	30 (6745)
Max axial load dynamic, KN (lbf)	15 (3372)
Torque at 25Mpa (3625psi), Nm (lb ft)	1000 (738)
Rec oilflow, l/min (US gallon)	20 (5.3)
Weight, kg (lb)	15 (33)

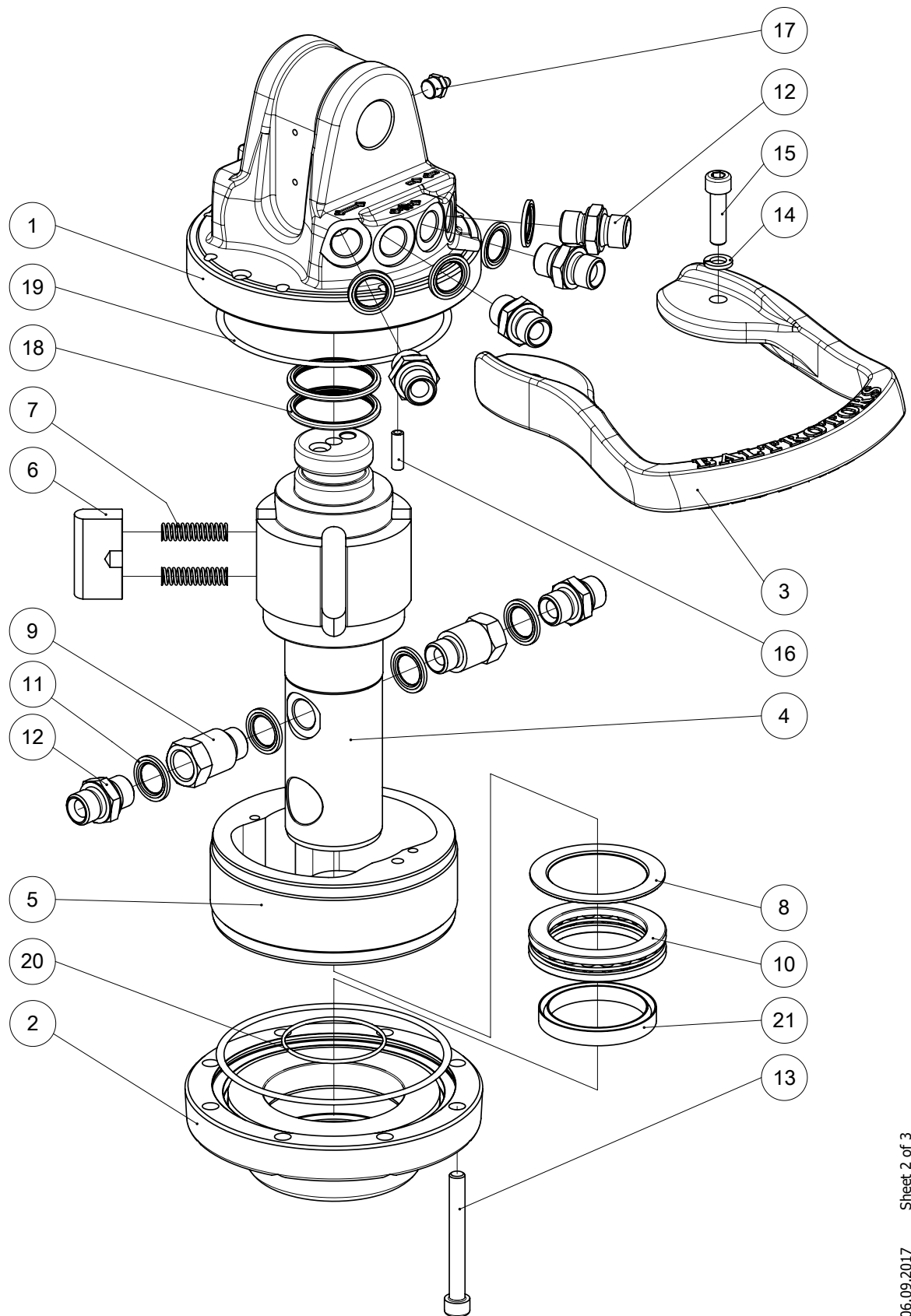
Max working pressure:

Rotator	←R→	Max 25 MPa (3625 psi)	G 3/8
Grapple / Tool open	←G→	Max 20 MPa (2900 psi)	G 3/8
Grapple / Tool close	→G←	Max 30 MPa (4350 psi)	G 3/8

Connection:

ROTATOR GR30

List of parts



06.09.2017 Sheet 2 of 3



Instituta Street - 1, Salaspils. Riga region, LATVIA LV-2169
Phone: +(371) 67 981074, Fax: +(371) 67 981075
E-mail: baltrotors@baltrotors.lv

ROTATOR GR30

List of parts

Pos.	Part	Title	Quantity	Notes
1	G207-00000	Stator plate, upper	1	
2	G207-00001	Stator plate, lower	1	
3	G207-00002	Hose guard	1	
4	G207-00003	Rotator shaft	1	
5	G207-00004	Stator frame	1	
6	G211-00030	Vane	4	
7	G2091-00000	Spring	8	
8	G211-00037	Shim	1	
9	G117-00024	Nipple	2	
10	G2133-00001	Bearing	1	
11	M2602-00000	Bonded seal	8	
12	G117-00000	Nipple	6	
13	M2305-00000	Screw	8	
14	M2301-00000	Spring washer	2	
15	M2305-00041	Screw	2	
16	M2307-00010	Pin	1	
17	M2610-00000	Grease nipple	1	
Seal kit				
18	G1021-00007	Glide ring	2	
19	G1024-00040	O-ring	2	
20	G308-00059	O-ring	1	
21	G1022-00009	Seal	1	