

# SB1 & SB25 METALLIC PUMP TECHNICAL DATA SHEET



## SERIES

### HEAVY DUTY BALL VALVE PUMP

For fluids containing settling, suspended & floating solids.

## PERFORMANCE

### SUCTION / DISCHARGE PORT SIZE

- SB1: 1" (25.4mm) NPT(F)
- SB25: 1" (25.4mm) BSP Tapered

### CAPACITY

- 0 to 42 gallons per minute (0 to 159 LPM)

### AIR DISTRIBUTION VALVE

- No-lube, no-stall design

### SOLIDS-HANDLING

- Up to nearly .25 in. (6.3mm)

### HEADS UP TO

- 125 psi or 289 ft. of water (8.8 Kg/cm<sup>2</sup> or 88 meters)

### MAXIMUM OPERATING PRESSURE

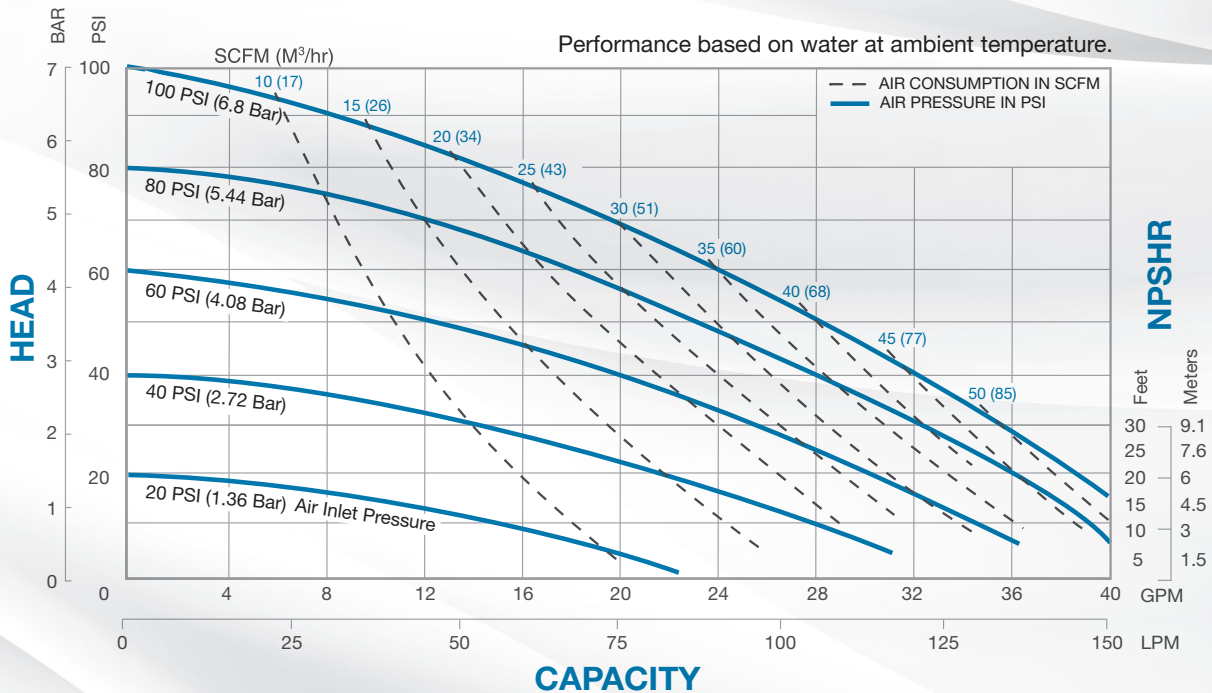
- 125 psi (8.6 bar)

### DISPLACEMENT/STROKE

- .09 Gallon / .34 liter

### WEIGHTS

- Aluminum 31 lbs. (14kg)
- Stainless Steel 45 lbs. (20kg)
- Alloy C 45 lbs. (20kg)
- Stainless Steel with Cast Iron Center 65 lbs. (30kg)
- Alloy C with Cast Iron Center 65 lbs. (30kg)



### 5 YEAR LIMITED PRODUCT WARRANTY

5 Year Guarantee for defects in material or workmanship. See [sandpiperpump.com/content/warranty-certifications](http://sandpiperpump.com/content/warranty-certifications) for complete warranty, including terms and conditions, limitations and exclusions.



### USE ONLY GENUINE SANDPIPER PARTS

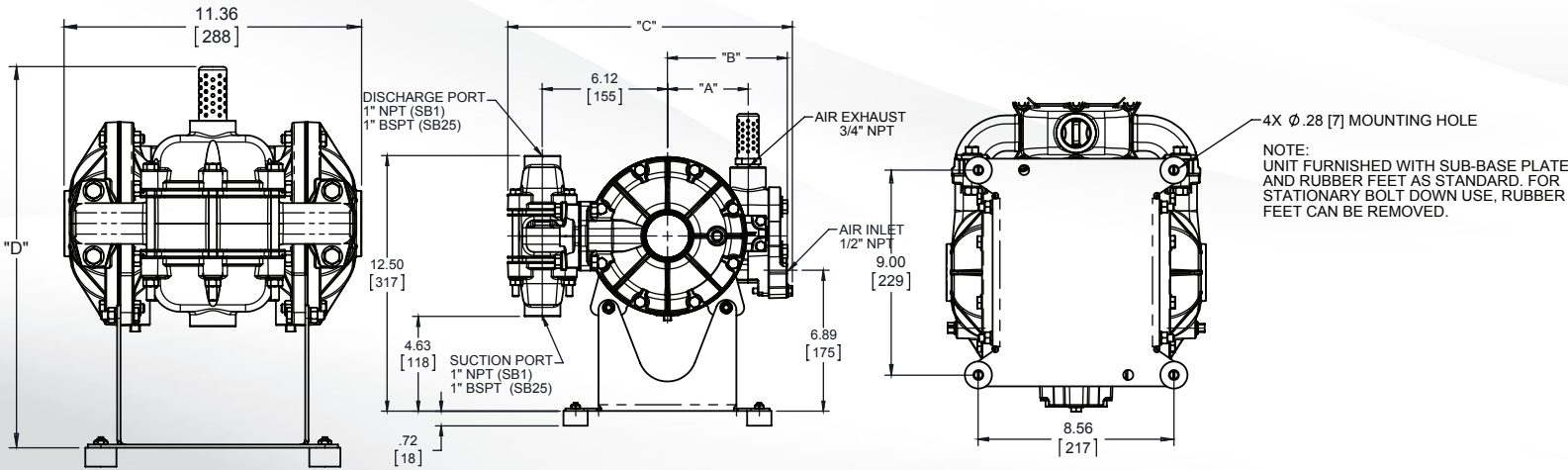
All certification, standards, guarantees & warranties originally supplied with this pump will be invalidated by the use of service parts not identified as "Genuine SANDPIPER Parts."



Warren Rupp, Inc. • A Unit of IDEX Corporation  
800 N. Main St., Mansfield, Ohio 44902 USA  
Telephone 419.524.8388 • Fax 419.522.7867



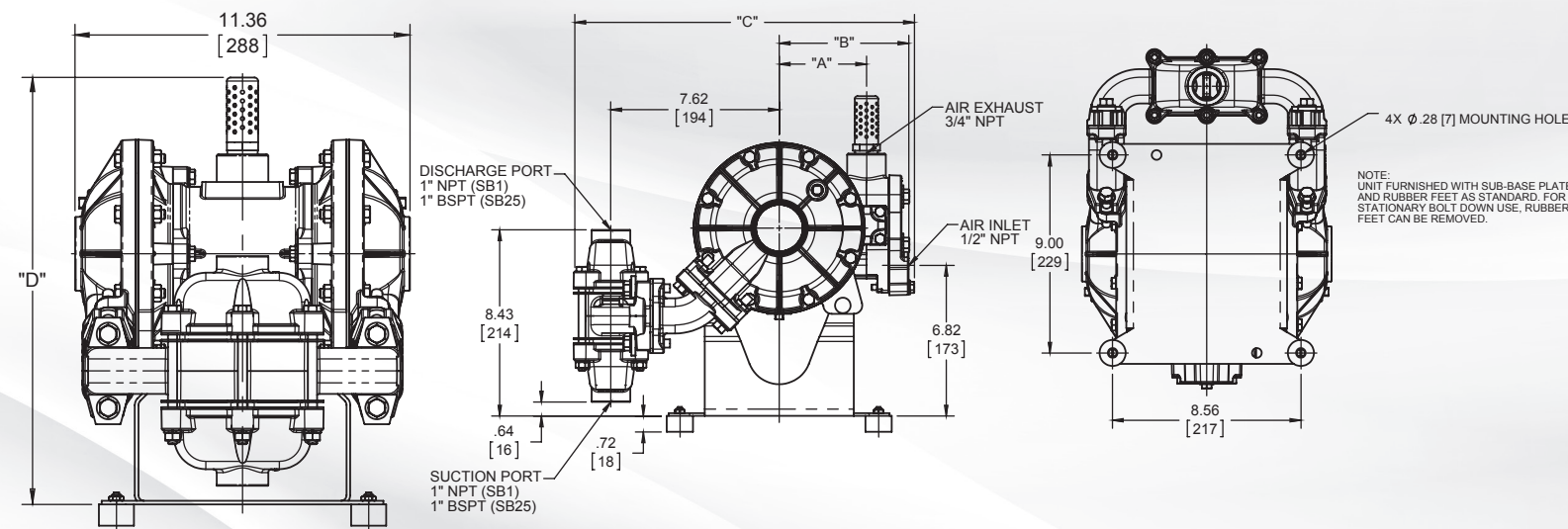
DIMENSIONS



**SB1 / SB25**

HEAVY DUTY BALL VALVE PUMP  
 DIMENSIONAL TOLERANCE ±1/8 [3]  
 [XX] = MILLIMETERS

| PUMP COFIGURATION          | DIM "A"    | DIM "B"    | DIM "C"     | DIM "D"     |
|----------------------------|------------|------------|-------------|-------------|
| ALUMINUM CENTER SECTION    | 3.95 [100] | 5.86 [149] | 13.90 [353] | 14.55 [370] |
| CAST IRON CENTER SECTION   | 4.10 [104] | 5.54 [141] | 13.60 [345] | 15.75 [400] |
| PULSE OUTPUT CONFIGURATION |            |            |             |             |



**SB1 / SB25**

HEAVY DUTY BALL VALVE PUMP  
 BOTTOM PORTED  
 DIMENSIONAL TOLERANCE ±1/8 [3]  
 [XX] = MILLIMETERS

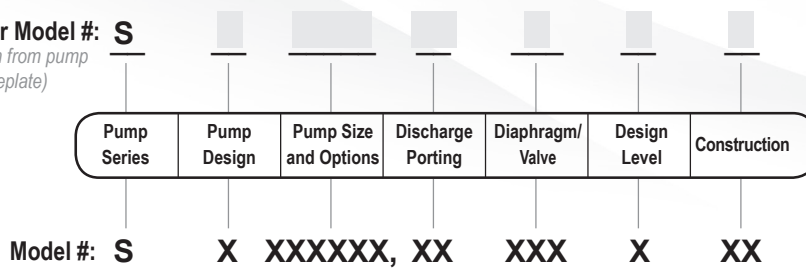
| PUMP COFIGURATION          | DIM "A"    | DIM "B"    | DIM "C"     | IM "D"      |
|----------------------------|------------|------------|-------------|-------------|
| ALUMINUM CENTER SECTION    | 3.95 [100] | 5.86 [149] | 15.36 [390] | 14.49 [368] |
| CAST IRON CENTER SECTION   | 4.10 [104] | 5.54 [141] | 15.06 [383] | 15.69 [398] |
| PULSE OUTPUT CONFIGURATION |            |            |             |             |



Warren Rupp, Inc. • A Unit of IDEX Corporation  
 800 N. Main St., Mansfield, Ohio 44902 USA  
 Telephone 419.524.8388 • Fax 419.522.7867

## EXPLANATION OF PUMP NOMENCLATURE

Your Model #: **S**  
(fill in from pump nameplate)



### PUMP SERIES

**S** SANDPIPER®

### PUMP DESIGN

**B** Soild Ball

### PUMP SIZE

**1** 1"

**25** 1" BSPT (Tapered Thread)

### DISCHARGE PORTING POSITION

**D** Bottom

**S** Side

**T** Top

**ET** Dual Top

**ES** Dual Side

### OPTIONS

**P1** Intrinsically Safe ATEX Compliant Pulse Output

### DIAPHRAGM CHECK VALVE MATERIALS

**B** Nitrile

**C** FKM with PTFE

**F** FDA Accepted White Nitrile

**GN** Neoprene Backup with PTFE Overlay and PTFE Check Balls

**GR** Hytrel Backup w/ PTFE Overlay/PTFE Balls

**GZ** PTFE/Nitrile Bonded One-Piece/PTFE Balls

**H** EPDM with PTFE

**N** Neoprene

**R** Hytrel

**S** Santoprene

**V** FKM

### DESIGN LEVEL

**5**

### CONSTRUCTION

**A** Aluminum Wetted, Aluminum Air

**SI** Stainless Steel Wetted, Cast Iron Air

**SS** Stainless Steel Wetted, Aluminum Air

**HC** Alloy-C Wetted, Aluminum Air

**HI** Alloy-C Wetted, Cast Iron Air

## MATERIALS

| Material Profile:  | Operating Temperatures: |                |
|--|-------------------------|----------------|
|  | Max.                    | Min.           |
| <b>CAUTION!</b> Operating temperature limitations are as follows:<br><b>CONDUCTIVE ACETAL:</b> Tough, impact resistant, ductile. Good abrasion resistance and low friction surface. Generally inert, with good chemical resistance except for strong acids and oxidizing agents. | 190°F<br>88°C           | -20°F<br>-29°C |
| <b>EPDM:</b> Shows very good water and chemical resistance. Has poor resistance to oils and solvents, but is fair in ketones and alcohols.   | 280°F<br>138°C          | -40°F<br>-40°C |
| <b>FKM (FLUOROCARBON):</b> Shows good resistance to a wide range of oils and solvents; especially all aliphatic, aromatic and halogenated hydrocarbons, acids, animal and vegetable oils. Hot water or hot aqueous solutions (over 70°F(21°C)) will attack FKM.                  | 350°F<br>177°C          | -40°F<br>-40°C |
| <b>HYTREL®:</b> Good on acids, bases, amines and glycols at room temperatures only.  | 220°F<br>104°C          | -20°F<br>-29°C |
| <b>NEOPRENE:</b> All purpose. Resistance to vegetable oils. Generally not affected by moderate chemicals, fats, greases and many oils and solvents. Generally attacked by strong oxidizing acids, ketones, esters and nitro hydrocarbons and chlorinated aromatic hydrocarbons.  | 200°F<br>93°C           | -10°F<br>-23°C |
| <b>NITRILE:</b> General purpose, oil-resistant. Shows good solvent, oil, water and hydraulic fluid resistance. Should not be used with highly polar solvents like acetone and MEK, ozone, chlorinated hydrocarbons and nitro hydrocarbons.                                       | 190°F<br>88°C           | -10°F<br>-23°C |
| <b>NYLON:</b> 6/6 High strength and toughness over a wide temperature range. Moderate to good resistance to fuels, oils and chemicals.   | 180°F<br>82°C           | 32°F<br>0°C    |

|  |                |                |
|--|----------------|----------------|
| <b>POLYPROPYLENE:</b> A thermoplastic polymer. Moderate tensile and flex strength. Resists strong acids and alkali. Attacked by chlorine, fuming nitric acid and other strong oxidizing agents.  | 180°F<br>82°C  | 32°F<br>0°C    |
| <b>PVDF:</b> (Polyvinylidene Fluoride) A durable fluoroplastic with excellent chemical resistance. Excellent for UV applications. High tensile strength and impact resistance.   | 250°F<br>121°C | 0°F<br>-18°C   |
| <b>SANTOPRENE®:</b> Injection molded thermoplastic elastomer with no fabric layer. Long mechanical flex life. Excellent abrasion resistance.   | 275°F<br>135°C | -40°F<br>-40°C |
| <b>UHMW PE:</b> A thermoplastic that is highly resistant to a broad range of chemicals. Exhibits outstanding abrasion and impact resistance, along with environmental stress-cracking resistance.  | 180°F<br>82°C  | -35°F<br>-37°C |
| <b>URETHANE:</b> Shows good resistance to abrasives. Has poor resistance to most solvents and oils.  | 150°F<br>66°C  | 32°F<br>0°C    |
| <b>VIRGIN PTFE:</b> (PFA/TFE) Chemically inert, virtually impervious. Very few chemicals are known to chemically react with PTFE; molten alkali metals, turbulent liquid or gaseous fluorine and a few fluoro-chemicals such as chlorine trifluoride or oxygen difluoride which readily liberate free fluorine at elevated temperatures. | 220°F<br>104°C | -35°F<br>-37°C |
| Maximum and Minimum Temperatures are the limits for which these materials can be operated. Temperatures coupled with pressure affect the longevity of diaphragm pump components. Maximum life should not be expected at the extreme limits of the temperature ranges.  |                |                |
| <b>Metals:</b>   |                |                |
| <b>ALLOY C:</b> Equal to ASTM494 CW-12M-1 specification for nickel and nickel alloy.   |                |                |
| <b>STAINLESS STEEL:</b> Equal to or exceeding ASTM specification A743 CF-8M for corrosion resistant iron chromium, iron chromium nickel and nickel based alloy castings for general applications. Commonly referred to as 316 Stainless Steel in the pump industry.  |                |                |

For specific applications, always consult the Chemical Resistance Chart.



**NOTE: See service manual for ATEX details.**

**SANDPIPER®**  
SANDPIPERPUMP.COM

Warren Rupp, Inc. • A Unit of IDEX Corporation  
800 N. Main St., Mansfield, Ohio 44902 USA  
Telephone 419.524.8388 • Fax 419.522.7867

SP\_DS\_TemplateDataSheet\_0817